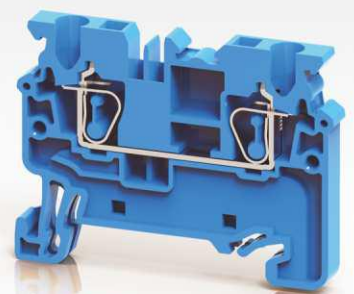
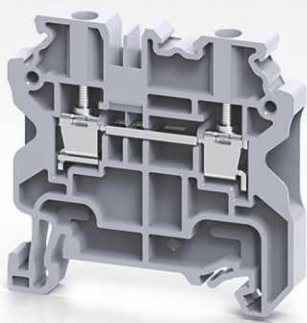


**connectwell**

THE RIGHT CONNECTION



**Mundhra Brothers**

PRICE LIST

TERMINAL BLOCKS

EFFECTIVE 8TH FEBRUARY 2021

# INTRODUCTION

Established in 1978, Connectwell is the leading manufacturer of Terminal Blocks in India. This superior range of Terminal Blocks is complimented by a large range of Interface Modules, Professional Tools and SMPS (Switched-Mode Power Supplies).

Connectwell over the years has undergone constant evolution of infrastructure, systems and personnel. This evolution is exemplified by its high quality products and a team of professionals which is always looking ahead of everyday challenges, willing to change adapt and create.

Reputed product approvals and certifications like UL, CSA, VDE, ATEX and CE and quality systems which adhere to ISO 9001:2015 verify the quality level that can be expected of Connectwell.

More than four decades of incessant dedication and commitment have made Connectwell a synonym for

... THE RIGHT CONNECTION

# PRODUCT LINES

Terminal Blocks

Interface Modules

SMPS (Switched-Mode Power Supplies)

Surge Protection Devices (SPD)



# VISION

Connectwell is committed to provide safe, reliable and efficient control & connection solutions in line with ever changing technology requirements. We shall...

Empower domestic and global customers with products of the highest quality standards, with a competitive edge and at superior service levels.

Create a work culture that encourages individual growth, team spirit and creativity; helping us overcome challenges and attain goals.

Deploy fair & ethical business practices for the growth of our vendors and maximize returns to our stakeholders.

Contribute towards the welfare of our community and follow environment friendly practices.

# MISSION

Connectwell is dedicated to achieve customer satisfaction by, supplying the Right Product, at the Right Time and at the Right Cost.

# QUALITY & SYSTEMS

At Connectwell we endeavour to keep evolving our systems in line with the latest standards and technology.

In addition to being an ISO 9001:2015 certified organization, all our business processes are mapped into various internal and customer facing IT systems, ranging from a world class ERP, CRM & PLM systems to extremely user friendly customer portal, product configurators and product website.

Our quality control laboratory has been approved for 'Witness Test Data Program' by Underwriters Laboratories (UL). This ensures that the quality testing carried out by our laboratory is not only accurate but also acceptable to the most stringent third party product testing organizations.

Connectwell products carry third part approvals from the most trusted organizations in the world, including but not being limited to UL, CSA, VDE, ATEX and CE.



# INFRASTRUCTURE

From product conceptualization to realization, we are well equipped with the latest software and high precision machinery to meet the requirements of our customers.

Some of these strengths are listed below

**Injection and Compression Moulding:** Highly automated production floors with CNC moulding machines supported by high accuracy moulding auxiliaries ensures repeatable high quality production.

**Sheet Metal Processing** - Our strength in sheet metal processing lies in the ability to use high speed multi station and multi form presses to create complex metal components with a very high degree of accuracy. We also have the capability to carry out a number of post forming processes like tapping, welding etc.

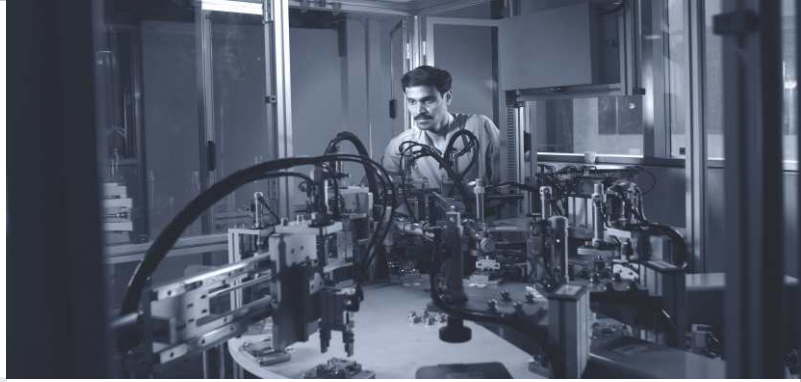
**Automatic Mechanical Assembly:** A very large volume of our products are assembled automatically on automatic assembly lines, which also carry out 100% functional testing of these products, assuring quality and reliability.

**Tool Development & Maintenance:** At our state of the art production tool room we produce both sheet metal tools and plastic processing moulds at extremely high accuracy levels. In addition, a maintenance tool room supports production areas and ensures continuity of production.



**Product Design & Development:** Our team works on a Product Life cycle Management platform which enables easy use of various mechanical and electrical design and simulation tools in addition to being able to efficiently manage projects and engineering data.

This ensures that we are able to produce high quality products and tools in shorter time frames, allowing us to better service our customer's needs.



# PRESENCE

Our customers range from the largest to the smallest entities in the below industries

- | Power Generation, Transmission & Utilities |
- | Oil & Gas | Industrial & Process Automation |
- | HVAC | Elevators & Escalators |
- | Material handling | Railways & Metros |
- | Ship Building & Aviation |

# REACH

We serve our customers through an expansive dealer network spread across India & the globe and also through our direct offices.

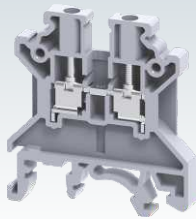
In India, we have more than 202 distributors located across all major towns & cities. In addition to our distributor network, our Sales & Marketing personnel located in all major cities of India interact with customers directly, to understand and meet their requirements.

Internationally, Connectwell is present directly in China, Brazil & Middle East through its subsidiaries and personnel. In addition we reach more than 70 other countries through distributors.

Some of the reputed names who we work with regularly are listed below

- | Siemens | Emerson | Indian Railways | Honeywell |
- | Crompton Greaves | Rockwell Automation | ABB |
- | Schneider Electric | Bharat Heavy Electrical Limited |
- | Larsen & Toubro |

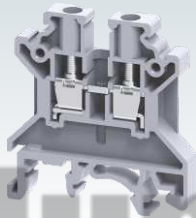




Wire Range : 0.2 - 2.5 mm<sup>2</sup>  
 Current (A) : 24 A  
 Voltage (V) : 1000 V  
 Dimensions Width (Thickness) x Length : 5 x 43 mm  
 Height with Din 35 x 7.5 mm Rail : 46.2 mm



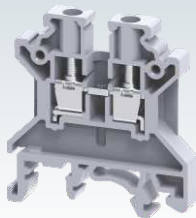
	Part #	Description	Std. Pack	UOM	List Price in	Group
TERMINAL BLOCK	CTS2.5UN	2.5 mm <sup>2</sup> FEED THRU SCREW CLAMP TERMINAL	100	EA	8.30	B
	CTS2.5UNBU	2.5 mm <sup>2</sup> FEED THRU SCREW CLAMP TB BLUE	100	EA	9.20	B
	CTS2.5UNBK	2.5 mm <sup>2</sup> FEED THRU SCREW CLAMP TB BLACK	100	EA	9.20	B
	CTS2.5UNR	2.5 mm <sup>2</sup> FEED THRU SCREW CLAMP TB RED	100	EA	9.20	B
	CTS2.5UNY	2.5 mm <sup>2</sup> FEED THRU SCREW CLAMP TB YELLOW	100	EA	9.20	B
	CTS2.5UNGN	2.5 mm <sup>2</sup> FEED THRU SCREW CLAMP TB GREEN	100	EA	9.20	B
ACCESSORIES	EP2.5/4UN	END PLATE FOR CTS2.5UN/4UN	50	EA	5.00	B
	PP2.5/4UN	PARTITION PLATE FOR CTS2.5UN/4UN/2.5UE	50	EA	9.90	B
	CA721/2	2P PRE ASSEMBLED SHRT LNK FR 5mm WIDE TB	100	EA	11.10	B
	CA721/3	3P PRE ASSEMBLED SHRT LNK FR 5mm WIDE TB	100	EA	16.60	B
	CA721/4	4P PRE ASSEMBLED SHRT LNK FR 5mm WIDE TB	100	EA	22.10	B
	CA721/10	10P PRE ASSEM SHORT LINK FOR 5mm WIDE TB	10	EA	55.20	B
	CA509/K5WHT	5 mm WIDE MARKER BLANK	1	PKT	64.40	B
	CA509/K5WP	5 mm WIDE MARKER PRINTED	1	PKT	73.50	B



Wire Range : 0.2 - 4.0 mm<sup>2</sup>  
 Current (A) : 30 A  
 Voltage (V) : 1000 V  
 Dimensions Width (Thickness) x Length : 6 x 43 mm  
 Height with Din 35 x 7.5 mm Rail : 46.2 mm



	Part #	Description	Std. Pack	UOM	List Price in	Group
TERMINAL BLOCK	CTS2.5UE	2.5 mm <sup>2</sup> FEED THRU SCREW CLAMP TERMINAL	100	EA	9.20	B
	CTS2.5UEBU	2.5 mm <sup>2</sup> FEED THRU SCREW CLAMP TB BLUE	100	EA	10.20	B
	CTS2.5UEBK	2.5 mm <sup>2</sup> FEED THRU SCREW CLAMP TB BLACK	100	EA	10.20	B
	CTS2.5UER	2.5 mm <sup>2</sup> FEED THRU SCREW CLAMP TB RED	100	EA	10.20	B
	CTS2.5UEY	2.5 mm <sup>2</sup> FEED THRU SCREW CLAMP TB YELLOW	100	EA	10.20	B
	CTS2.5UEGN	2.5 mm <sup>2</sup> FEED THRU SCREW CLAMP TB GREEN	100	EA	10.20	B
ACCESSORIES	EP2.5/4UN	END PLATE FOR CTS2.5UN/4UN	50	EA	5.00	B
	PP2.5/4UN	PARTITION PLATE FOR CTS2.5UN/4UN/2.5UE	50	EA	9.90	B
	CA722/2	2P PRE ASSEMBLED SHRT LNK FR 6mm WIDE TB	100	EA	11.10	B
	CA722/3	3P PRE ASSEMBLED SHRT LNK FR 6mm WIDE TB	100	EA	16.60	B
	CA722/4	4P PRE ASSEMBLED SHRT LNK FR 6mm WIDE TB	100	EA	22.10	B
	CA722/10	10P PRE ASSEM SHORT LINK FOR 6mm WIDE TB	10	EA	55.20	B
	CA509/K6WHT	6 mm WIDE MARKER BLANK	1	PKT	64.40	B
	CA509/K6WP	6 mm WIDE MARKER PRINTED	1	PKT	73.50	B

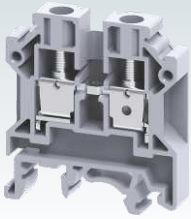


Wire Range : 0.2 - 4.0 mm<sup>2</sup>  
 Current (A) : 32 A  
 Voltage (V) : 1000 V  
 Dimensions Width (Thickness) x Length : 6 x 43 mm  
 Height with Din 35 x 7.5 mm Rail : 46.2 mm



	Part #	Description	Std. Pack	UOM	List Price in	Group
TERMINAL BLOCK	CTS4UN	4 mm <sup>2</sup> FEED THRU SCREW CLAMP TERMINAL	100	EA	10.20	B
	CTS4UNBU	4 mm <sup>2</sup> FEED THRU SCREW CLAMP TB BLUE	100	EA	11.30	B
	CTS4UNBK	4 mm <sup>2</sup> FEED THRU SCREW CLAMP TB BLACK	100	EA	11.30	B
	CTS4UNR	4 mm <sup>2</sup> FEED THRU SCREW CLAMP TB RED	100	EA	11.30	B
	CTS4UNY	4 mm <sup>2</sup> FEED THRU SCREW CLAMP TB YELLOW	100	EA	11.30	B
	CTS4UNGN	4 mm <sup>2</sup> FEED THRU SCREW CLAMP TB GREEN	100	EA	11.30	B
ACCESSORIES	EP2.5/4UN	END PLATE FOR CTS2.5UN/4UN	50	EA	5.00	B
	PP2.5/4UN	PARTITION PLATE FOR CTS2.5UN/4UN/2.5UE	50	EA	9.90	B
	CA722/2	2P PRE ASSEMBLED SHRT LNK FR 6mm WIDE TB	100	EA	11.10	B
	CA722/3	3P PRE ASSEMBLED SHRT LNK FR 6mm WIDE TB	100	EA	16.60	B
	CA722/4	4P PRE ASSEMBLED SHRT LNK FR 6mm WIDE TB	100	EA	22.10	B
	CA722/10	10P PRE ASSEM SHORT LINK FOR 6mm WIDE TB	10	EA	55.20	B
	CA509/K6WHT	6 mm WIDE MARKER BLANK	1	PKT	64.40	B
	CA509/K6WP	6 mm WIDE MARKER PRINTED	1	PKT	73.50	B

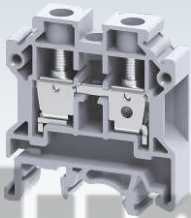
## SCREW CLAMP TERMINAL BLOCKS



Wire Range : 0.5 - 6.0 mm<sup>2</sup>  
 Current (A) : 41 A  
 Voltage (V) : 1000 V  
 Dimensions Width (Thickness) x Length : 8 x 43 mm  
 Height with Din 35 x 7.5 mm Rail : 47.8 mm



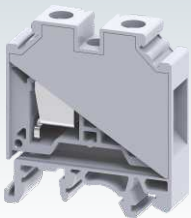
	Part #	Description	Std. Pack	UOM	List Price in	Group
TERMINAL BLOCK	CTS6U	6 mm <sup>2</sup> FEED THRU SCREW CLAMP TB	100	EA	12.30	B
	CTS6UBU	6 mm <sup>2</sup> FEED THRU SCREW CLAMP TB BLUE	100	EA	13.60	B
	CTS6UBK	6 mm <sup>2</sup> FEED THRU SCREW CLAMP TB BLACK	100	EA	13.60	B
	CTS6UR	6 mm <sup>2</sup> FEED THRU SCREW CLAMP TB RED	100	EA	13.60	B
	CTS6UY	6 mm <sup>2</sup> FEED THRU SCREW CLAMP TB YELLOW	100	EA	13.60	B
	CTS6UGN	6 mm <sup>2</sup> FEED THRU SCREW CLAMP TB GREEN	100	EA	13.60	B
ACCESSORIES	EP6/10U	END PLATE FOR CTS6U/10U	50	EA	5.40	B
	PP6/10U	PARTITION PLATE FOR CTS6U/10U	50	EA	12.10	B
	CA723/2	2P PRE ASSEM SHRT LINK FOR 8mm WIDE TB	100	EA	13.60	B
	CA723/3	3P PRE ASSEM SHRT LINK FOR 8mm WIDE TB	50	EA	20.40	B
	CA723/4	4P PRE ASSEM SHRT LINK FOR 8mm WIDE TB	50	EA	27.20	B
	CA723/10	10P PRE ASSEM SHRT LINK FOR 8mm WIDE TB	10	EA	67.90	B
	CA509/K8WHT	8 mm WIDE MARKER BLANK	1	PKT	73.50	B
	CA509/K8WP	8 mm WIDE MARKER PRINTED	1	PKT	84.00	B



Wire Range : 0.5 - 10.0 mm<sup>2</sup>  
 Current (A) : 57 A  
 Voltage (V) : 1000 V  
 Dimensions Width (Thickness) x Length : 10 x 43 mm  
 Height with Din 35 x 7.5 mm Rail : 47.8 mm



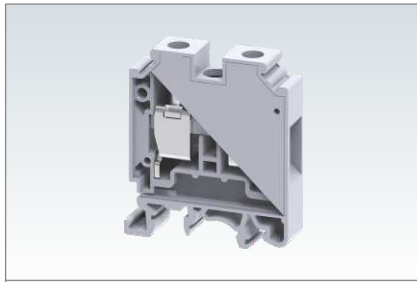
	Part #	Description	Std. Pack	UOM	List Price in	Group
TERMINAL BLOCK	CTS10U	10 mm <sup>2</sup> FEED THRU SCREW CLAMP TERMINAL	100	EA	16.40	B
	CTS10UBU	10 mm <sup>2</sup> FEED THRU SCREW CLAMP TB BLUE	100	EA	18.10	B
	CTS10UBK	10 mm <sup>2</sup> FEED THRU SCREW CLAMP TB BLACK	100	EA	18.10	B
	CTS10UR	10 mm <sup>2</sup> FEED THRU SCREW CLAMP TB RED	100	EA	18.10	B
	CTS10UY	10 mm <sup>2</sup> FEED THRU SCREW CLAMP TB YELLOW	100	EA	18.10	B
	CTS10UGN	10 mm <sup>2</sup> FEED THRU SCREW CLAMP TB GREEN	100	EA	18.10	B
ACCESSORIES	EP6/10U	END PLATE FOR CTS6U/10U	50	EA	5.40	B
	PP6/10U	PARTITION PLATE FOR CTS6U/10U	50	EA	12.10	B
	CA724/2	2P PRE ASSEMBLED SHRT LNK FR 6mm WIDE TB	100	EA	14.80	B
	CA724/3	3P PRE ASSEMBLED SHRT LNK FR 6mm WIDE TB	50	EA	22.10	B
	CA724/4	4P PRE ASSEMBLED SHRT LNK FR 6mm WIDE TB	50	EA	29.50	B
	CA724/10	10P PRE ASSEM SHORT LINK FOR 6mm WIDE TB	10	EA	73.60	B
	CA509/K10WHT	10 mm WIDE MARKER BLANK	1	PKT	80.20	B
	CA509/K10WP	10 mm WIDE MARKER PRINTED	1	PKT	90.70	B



Wire Range : 0.2 - 16.0 mm<sup>2</sup>  
 Current (A) : 76 A  
 Voltage (V) : 1000 V  
 Dimensions Width (Thickness) x Length : 12 x 43 mm  
 Height with Din 35 x 7.5 mm Rail : 47.8 mm



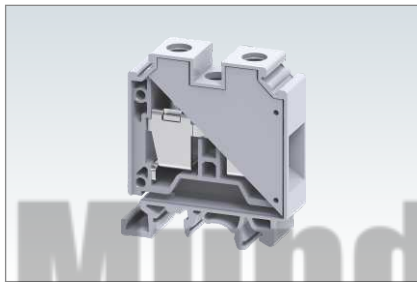
	Part #	Description	Std. Pack	UOM	List Price in	Group
TERMINAL BLOCK	CTS16U	16 mm <sup>2</sup> FEED THRU SCREW CLAMP TERMINAL	50	EA	33.00	B
	CTS16UBU	16 mm <sup>2</sup> FEED THRU SCREW CLAMP TB BLUE	50	EA	36.30	B
	CTS16UBK	16 mm <sup>2</sup> FEED THRU SCREW CLAMP TB BLACK	50	EA	36.30	B
	CTS16UR	16 mm <sup>2</sup> FEED THRU SCREW CLAMP TB RED	50	EA	36.30	B
	CTS16UY	16 mm <sup>2</sup> FEED THRU SCREW CLAMP TB YELLOW	50	EA	36.30	B
	CTS16UGN	16 mm <sup>2</sup> FEED THRU SCREW CLAMP TB GREEN	50	EA	36.30	B
ACCESSORIES	CA751/2	2P PRE ASSEM SHRT LINK FOR 12mm WIDE TB	50	EA	16.10	B
	CA751/3	3P PRE ASSEM SHRT LINK FOR 12mm WIDE TB	50	EA	24.20	B
	CA751/4	4P PRE ASSEM SHRT LINK FOR 12mm WIDE TB	50	EA	32.20	B
	CA751/10	10P INS PREASSEM SHRT LNK FR 12mm WIDE TB	10	EA	80.50	B
	CA509/K12WHT	12 mm WIDE MARKER BLANK	1	PKT	94.50	B
	CA509/K12WP	12 mm WIDE MARKER PRINTED	1	PKT	105.00	B



Wire Range : 4.0 - 25.0 mm<sup>2</sup>  
 Current (A) : 101 A  
 Voltage (V) : 1000 V  
 Dimensions Width (Thickness) x Length : 12 x 48 mm  
 Height with Din 35 x 7.5 mm Rail : 57.2 mm



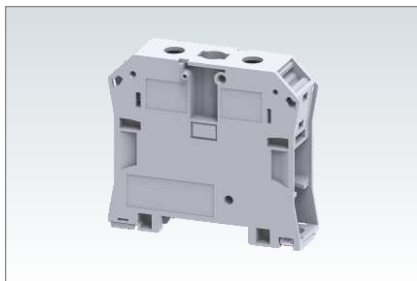
	Part #	Description	Std. Pack	UOM	List Price in	Group
TERMINAL BLOCK	CTS25UN	25 mm <sup>2</sup> FEED THRU SCREW CLAMP TERMINAL	50	EA	47.00	B
	CTS25UNBU	25 mm <sup>2</sup> FEED THRU SCREW CLAMP TB BLUE	50	EA	51.70	B
	CTS25UNBK	25 mm <sup>2</sup> FEED THRU SCREW CLAMP TB BLACK	50	EA	51.70	B
	CTS25UNR	25 mm <sup>2</sup> FEED THRU SCREW CLAMP TB RED	50	EA	51.70	B
	CTS25UNY	25 mm <sup>2</sup> FEED THRU SCREW CLAMP TB YELLOW	50	EA	51.70	B
	CTS25UNGN	25 mm <sup>2</sup> FEED THRU SCREW CLAMP TB GREEN	50	EA	51.70	B
ACCESSORIES	PP25UN	PARTITION PLATE FOR CTS25UN	50	EA	13.20	B
	CA725/2	2P PRE ASSEM SHRT LINK FOR 12mm WIDE TB	50	EA	18.00	B
	CA725/3	3P PRE ASSEM SHRT LINK FOR 12mm WIDE TB	20	EA	27.00	B
	CA725/4	4P PRE ASSEM SHRT LINK FOR 12mm WIDE TB	20	EA	35.90	B
	CA725/10	10P PRE ASSEM SHRT LINK FOR 12mm WIDE TB	10	EA	89.70	B
	CA509/K12WHT	12 mm WIDE MARKER BLANK	1	PKT	94.50	B
	CA509/K12WHP	12 mm WIDE MARKER PRINTED	1	PKT	105.00	B



Wire Range : 4.0 - 35.0 mm<sup>2</sup>  
 Current (A) : 125 A  
 Voltage (V) : 1000 V  
 Dimensions Width (Thickness) x Length : 16 x 50.5 mm  
 Height with Din 35 x 7.5 mm Rail : 59.2 mm



	Part #	Description	Std. Pack	UOM	List Price in	Group
TERMINAL BLOCK	CTS35UN	35 mm <sup>2</sup> FEED THRU SCREW CLAMP TERMINAL	50	EA	69.00	B
	CTS35UNBU	35 mm <sup>2</sup> FEED THRU SCREW CLAMP TB BLUE	50	EA	75.90	B
	CTS35UNBK	35 mm <sup>2</sup> FEED THRU SCREW CLAMP TB BLACK	50	EA	75.90	B
	CTS35UNR	35 mm <sup>2</sup> FEED THRU SCREW CLAMP TB RED	50	EA	75.90	B
	CTS35UNY	35 mm <sup>2</sup> FEED THRU SCREW CLAMP TB YELLOW	50	EA	75.90	B
	CTS35UNGN	35 mm <sup>2</sup> FEED THRU SCREW CLAMP TB GREEN	50	EA	75.90	B
ACCESSORIES	PP35UN	PARTITION PLATE FOR CTS2.5UN/4UN/2.5UE	50	EA	14.50	B
	CA771/2	2P PRE ASSEM SHRT LINK FR 12mm WIDE TB	50	EA	18.40	B
	CA771/3	3P PRE ASSEM SHRT LINK FR 12mm WIDE TB	20	EA	27.60	B
	CA771/4	4P PRE ASSEM SHRT LINK FR 12mm WIDE TB	20	EA	36.80	B
	CA771/10	10P PRE ASSEM SHRT LINK FR 12mm WIDE TB	10	EA	92.00	B
	CA509/K16WHT	16 mm WIDE MARKER BLANK	1	PKT	94.50	B
	CA509/K16WHP	16 mm WIDE MARKER PRINTED	1	PKT	106.40	B




Wire Range : 10.0 - 70.0 mm<sup>2</sup>  
 Current (A) : 192 A  
 Voltage (V) : 1000 V  
 Dimensions Width (Thickness) x Length : 20.5 x 77 mm  
 Height with Din 35 x 7.5 mm Rail : 71.1 mm







	Part #	Description	Std. Pack	UOM	List Price in	Group
TERMINAL BLOCK	CTS50/70N	70 mm <sup>2</sup> FEED THRU SCREW CLAMP TERMINAL	20	EA	198.00	B
	CTS50/70NBU	70 mm <sup>2</sup> FEED THRU SCREW CLAMP TB BLUE	20	EA	217.80	B
	CTS50/70NBK	70 mm <sup>2</sup> FEED THRU SCREW CLAMP TB BLACK	20	EA	217.80	B
	CTS50/70NR	70 mm <sup>2</sup> FEED THRU SCREW CLAMP TB RED	20	EA	217.80	B
	CTS50/70NY	70 mm <sup>2</sup> FEED THRU SCREW CLAMP TB YELLOW	20	EA	217.80	B
	CTS50/70NGN	70 mm <sup>2</sup> FEED THRU SCREW CLAMP TB GREEN	20	EA	217.80	B
ACCESSORIES	AUX6	6 mm <sup>2</sup> AUX TB FOR CTS50/70N & CTS95/120N	10	EA	36.30	B
	CA628/2	2 POLE SHORTING LNK SET FOR CTS50/70N	10	EA	73.60	B
	CA628/3	3 POLE SHORTING LNK SET FOR CTS50/70N	10	EA	110.40	B
	CA509/K16WHT	16 mm WIDE MARKER BLANK	1	PKT	94.50	B
	CA509/K16WHP	16 mm WIDE MARKER PRINTED	1	PKT	106.40	B


## SCREW CLAMP TERMINAL BLOCKS



Wire Range : 25.0 - 120.0 mm<sup>2</sup>  
 Current (A) : 269 A  
 Voltage (V) : 1000 V  
 Dimensions Width (Thickness) x Length : 27 x 85 mm  
 Height with Din 35 x 7.5 mm Rail : 83 mm





	Part #	Description	Std. Pack	UOM	List Price in	Group
TERMINAL BLOCK	CTS95/120N	120 mm <sup>2</sup> FEED THRU SCREW CLAMP TERMINAL	10	EA	320.00	B
	CTS95/120NBU	120 mm <sup>2</sup> FEED THRU SCREW CLAMP TB BLUE	10	EA	352.00	B
	CTS95/120NBK	120 mm <sup>2</sup> FEED THRU SCREW CLAMP TB BLACK	10	EA	352.00	B
	CTS95/120NR	120 mm <sup>2</sup> FEED THRU SCREW CLAMP TB RED	10	EA	352.00	B
	CTS95/120NY	120 mm <sup>2</sup> FEED THRU SCREW CLAMP TB YELLOW	10	EA	352.00	B
	CTS95/120NGN	120 mm <sup>2</sup> FEED THRU SCREW CLAMP TB GREEN	10	EA	352.00	B
ACCESSORIES	AUX6	6 mm <sup>2</sup> AUX TB FOR CTS50/70N & CTS95/120N	10	EA	36.30	B
	CA629/2	2 POLE SHORTING LNK SET FOR CTS95/120N	10	EA	96.60	B
	CA629/3	3 POLE SHORTING LNK SET FOR CTS95/120N	10	EA	144.90	B
	CA509/K16WHT	16 mm WIDE MARKER BLANK	1	PKT	94.50	B
	CA509/K16WHP	16 mm WIDE MARKER PRINTED	1	PKT	106.40	B



Wire Range : 0.2 - 4.0 mm<sup>2</sup>  
 Current (A) : 32 A  
 Voltage (V) : 630 V  
 Dimensions Width (Thickness) x Length : 6 x 46.5 mm  
 Height with Din 35 x 7.5 mm Rail : 49.5 mm





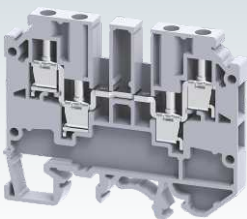



















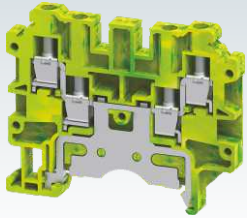
	Part #	Description	Std. Pack	UOM	List Price in	Group
TERMINAL BLOCK	CMC1-2	4 mm <sup>2</sup> MULTI CONNECTION 3 WIRE TERMINAL	100	EA	21.50	B
	CMC1-2BU	4 mm <sup>2</sup> MULTI CONNECTION 3 WIRE TB BLUE	100	EA	23.70	B
	CMC1-2BK	4 mm <sup>2</sup> MULTI CONNECTION 3 WIRE TB BLACK	100	EA	23.70	B
	CMC1-2R	4 mm <sup>2</sup> MULTI CONNECTION 3 WIRE TB RED	100	EA	23.70	B
	CMC1-2Y	4 mm <sup>2</sup> MULTI CONNECTION 3 WIRE TB YELLOW	100	EA	23.70	B
	CMC1-2GN	4 mm <sup>2</sup> MULTI CONNECTION 3 WIRE TB GREEN	100	EA	23.70	B
ACCESSORIES	EPCMC1-2	END PLATE FOR CMC1-2	50	EA	9.60	B
	CA722/2	2P PRE ASSEMBLED SHRT LNK FR 6mm WIDE TB	100	EA	11.10	B
	CA722/3	3P PRE ASSEMBLED SHRT LNK FR 6mm WIDE TB	100	EA	16.60	B
	CA722/4	4P PRE ASSEMBLED SHRT LNK FR 6mm WIDE TB	100	EA	22.10	B
	CA722/10	10P PRE ASSEM SHORT LINK FOR 6mm WIDE TB	10	EA	55.20	B
	CA509/K6WHT	6 mm WIDE MARKER BLANK	1	PKT	64.40	B
CA509/K6WHP	6 mm WIDE MARKER PRINTED	1	PKT	73.50	B	








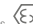



Wire Range : 0.2 - 4.0 mm<sup>2</sup>  
 Current (A) : 32 A  
 Voltage (V) : 630 V  
 Dimensions Width (Thickness) x Length : 6 x 65 mm  
 Height with Din 35 x 7.5 mm Rail : 53.4 mm

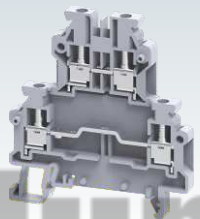
	Part #	Description	Std. Pack	UOM	List Price in	Group
TERMINAL BLOCK	CMC2-2	4 mm <sup>2</sup> MULTI CONNECTION 4 WIRE TERMINAL	50	EA	30.00	B
	CMC2-2BU	4 mm <sup>2</sup> MULTI CONNECTION 4 WIRE TB BLUE	50	EA	33.00	B
	CMC2-2BK	4 mm <sup>2</sup> MULTI CONNECTION 4 WIRE TB BLACK	50	EA	33.00	B
	CMC2-2R	4 mm <sup>2</sup> MULTI CONNECTION 4 WIRE TB RED	50	EA	33.00	B
	CMC2-2Y	4 mm <sup>2</sup> MULTI CONNECTION 4 WIRE TB YELLOW	50	EA	33.00	B
	CMC2-2GN	4 mm <sup>2</sup> MULTI CONNECTION 4 WIRE TB GREEN	50	EA	33.00	B
ACCESSORIES	EPCMC2-2	END PLATE FOR CMC2-2	50	EA	12.90	B
	CA722/2	2P PRE ASSEMBLED SHRT LNK FR 6mm WIDE TB	100	EA	11.10	B
	CA722/3	3P PRE ASSEMBLED SHRT LNK FR 6mm WIDE TB	100	EA	16.60	B
	CA722/4	4P PRE ASSEMBLED SHRT LNK FR 6mm WIDE TB	100	EA	22.10	B
	CA722/10	10P PRE ASSEM SHORT LINK FOR 6mm WIDE TB	10	EA	55.20	B
	CA509/K6WHT	6 mm WIDE MARKER BLANK	1	PKT	64.40	B
CA509/K6WHP	6 mm WIDE MARKER PRINTED	1	PKT	73.50	B	








Wire Range : 0.2 - 4.0 mm<sup>2</sup>  
 Dimensions Width (Thickness) x Length : 6 x 65 mm  
 Height with Din 35 x 7.5 mm Rail : 53.7 mm

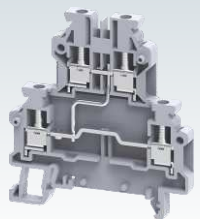
	Part #	Description	Std. Pack	UOM	List Price in	Group
TERMINAL BLOCK	CMCG4	4 mm <sup>2</sup> MULTI CONNECTION 4 WIRE GROUND TB	50	EA	91.40	B
ACCESSORIES	EPCKT4U/4	END PLATE FOR CKT4U/4	50	EA	12.90	B
	CA509/K6WHT	6 mm WIDE MARKER BLANK	1	PKT	64.40	B
	CA509/K6WP	6 mm WIDE MARKER PRINTED	1	PKT	73.50	B








Wire Range : 0.2 - 2.5 mm<sup>2</sup>  
 Current (A) : 24 A  
 Voltage (V) : 800 V  
 Dimensions Width (Thickness) x Length : 5 x 62 mm  
 Height with Din 35 x 7.5 mm Rail : 61 mm

	Part #	Description	Std. Pack	UOM	List Price in	Group
TERMINAL BLOCK	ODL2.5A	2.5 mm <sup>2</sup> MODULAR OFFSET 2 LVL SW CL TB	50	EA	26.90	B
	ODL2.5	2.5 mm <sup>2</sup> OFFSET 2 LVL SW CL TB	50	EA	26.90	B
ACCESSORIES	EPODL2.5	END PLATE FOR ODL2.5 SERIES	50	EA	12.40	B
	EP1ODL2.5	SPACER PLATE FOR ODL2.5	50	EA	5.00	B
	JX2.5/2	2 POLE SHRT LNK FR 5MM WIDE SP CL TB	100	EA	7.30	A
	JX2.5/3	3 POLE SHRT LNK FR 5MM WIDE SP CL TB	50	EA	12.70	A
	JX2.5/4	4 POLE SHRT LNK FR 5MM WIDE SP CL TB	50	EA	23.00	A
	JX2.5/10	10 POLE SHRT LNK FR 5MM WIDE SP CL TB	10	EA	59.80	A
	CA509/K5WHT	5 mm WIDE MARKER BLANK	1	EA	64.40	B
	CA509/K5WP	CA509/K5-P PRINTED MARKERS WHT	1	EA	73.50	B

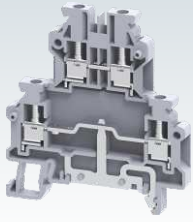


Wire Range : 0.2 - 2.5 mm<sup>2</sup>  
 Current (A) : 24 A  
 Voltage (V) : 800 V  
 Dimensions Width (Thickness) x Length : 5 x 62 mm  
 Height with Din 35 x 7.5 mm Rail : 61 mm

	Part #	Description	Std. Pack	UOM	List Price in	Group
TERMINAL BLOCK	ODL2.5A(I.S)	2.5 mm <sup>2</sup> 2 LEVEL SCREW CLAMP TERMINAL BLOCK	50	EA	35.80	B
	ODL2.5(I.S)	2.5mm <sup>2</sup> 2 LVL OFFSET INT SHRT SW CL TB	50	EA	35.80	B
ACCESSORIES	EPODL2.5	END PLATE FOR ODL2.5 SERIES	50	EA	12.40	B
	EP1ODL2.5	SPACER PLATE FOR ODL2.5	50	EA	5.00	B
	JX2.5/2	2 POLE SHRT LNK FR 5MM WIDE SP CL TB	100	EA	7.30	A
	JX2.5/3	3 POLE SHRT LNK FR 5MM WIDE SP CL TB	50	EA	12.70	A
	JX2.5/4	4 POLE SHRT LNK FR 5MM WIDE SP CL TB	50	EA	23.00	A
	JX2.5/10	10 POLE SHRT LNK FR 5MM WIDE SP CL TB	10	EA	59.80	A
	CA509/K5WHT	5 mm WIDE MARKER BLANK	1	EA	64.40	B
	CA509/K5WP	CA509/K5-P PRINTED MARKERS WHT	1	EA	73.50	B

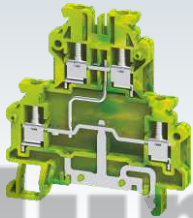
## SCREW CLAMP TERMINAL BLOCKS



Wire Range : 0.2 - 2.5 mm<sup>2</sup>  
 Current (A) : 24 A  
 Voltage (V) : 800 V  
 Dimensions Width (Thickness) x Length : 5 x 62 mm  
 Height with Din 35 x 7.5 mm Rail : 61 mm



	Part #	Description	Std. Pack	UOM	List Price in	Group
TERMINAL BLOCK	ODLG2.5A	2.5mm <sup>2</sup> MODULAR OFFSET 2 LVL GND SW CL TB	50	EA	86.10	B
	ODLG2.5	2.5mm <sup>2</sup> 2 LVL OFFSET GND SW CL TB	50	EA	86.10	B
ACCESSORIES	EPODL2.5	END PLATE FOR ODL2.5 SERIES	50	EA	12.40	B
	EP1ODL2.5	SPACER PLATE FOR ODL2.5	50	EA	5.00	B
	JX2.5/2	2 POLE SHRT LNK FR 5MM WIDE SP CL TB	100	EA	7.30	A
	JX2.5/3	3 POLE SHRT LNK FR 5MM WIDE SP CL TB	50	EA	12.70	A
	JX2.5/4	4 POLE SHRT LNK FR 5MM WIDE SP CL TB	50	EA	23.00	A
	JX2.5/10	10 POLE SHRT LNK FR 5MM WIDE SP CL TB	10	EA	59.80	A
	CA509/K5WHT	5 mm WIDE MARKER BLANK	1	EA	64.40	B
	CA509/K5WP	CA509/K5-P PRINTED MARKERS WHT	1	EA	73.50	B



Wire Range : 0.2 - 2.5 mm<sup>2</sup>  
 Dimensions Width (Thickness) x Length : 5 x 62 mm  
 Height with Din 35 x 7.5 mm Rail : 61 mm



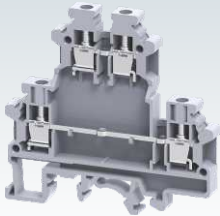
	Part #	Description	Std. Pack	UOM	List Price in	Group
TERMINAL BLOCK	ODLG2.5A(I.S)	2.5mm <sup>2</sup> OFFSET 2L INT SHRT GND SW CL TB	50	EA	95.00	B
	ODLG2.5(I.S)	2.5mm <sup>2</sup> MODULAR OFFSET 2L INT SHRT GND TB	50	EA	95.00	B
ACCESSORIES	EPODL2.5	END PLATE FOR ODL2.5 SERIES	50	EA	12.40	B
	EP1ODL2.5	SPACER PLATE FOR ODL2.5	50	EA	5.00	B
	JX2.5/2	2 POLE SHRT LNK FR 5MM WIDE SP CL TB	100	EA	7.30	A
	JX2.5/3	3 POLE SHRT LNK FR 5MM WIDE SP CL TB	50	EA	12.70	A
	JX2.5/4	4 POLE SHRT LNK FR 5MM WIDE SP CL TB	50	EA	23.00	A
	JX2.5/10	10 POLE SHRT LNK FR 5MM WIDE SP CL TB	10	EA	59.80	A
	CA509/K5WHT	5 mm WIDE MARKER BLANK	1	EA	64.40	B
	CA509/K5WP	CA509/K5-P PRINTED MARKERS WHT	1	EA	73.50	B




Wire Range : 0.2 - 4.0 mm<sup>2</sup>  
 Current (A) : 32 A  
 Voltage (V) : 800 V  
 Dimensions Width (Thickness) x Length : 6 x 57 mm  
 Height with Din 35 x 7.5 mm Rail : 59.5 mm



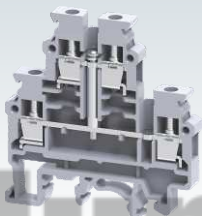
	Part #	Description	Std. Pack	UOM	List Price in	Group
TERMINAL BLOCK	CDL4UN	4 mm <sup>2</sup> 2 LEVEL SCREW CLAMP TERMINAL BLOCK	100	EA	25.50	B
	CDL4UNBU	4 mm <sup>2</sup> 2 LVL SCRW CLMP TERMINAL BLOCK BLU	100	EA	28.10	B
	CDL4UNBK	4 mm <sup>2</sup> 2 LVL SCRW CLMP TERMINAL BLOCK BLK	100	EA	28.10	B
	CDL4UNR	4 mm <sup>2</sup> 2 LVL SCRW CLMP TERMINAL BLOCK RED	100	EA	28.10	B
	CDL4UNY	4 mm <sup>2</sup> 2 LVL SCRW CLMP TERMINAL BLOCK YLW	100	EA	28.10	B
ACCESSORIES	CDL4UNGN	4 mm <sup>2</sup> 2 LVL SCRW CLMP TERMINAL BLOCK GRN	100	EA	28.10	B
	EPCDL4UN	END PLATE FOR CDL4UN	50	EA	9.30	B
	CA722/2	2P PRE ASSEMBLED SHRT LNK FR 6mm WIDE TB	100	EA	11.10	B
	CA722/3	3P PRE ASSEMBLED SHRT LNK FR 6mm WIDE TB	100	EA	16.60	B
	CA722/4	4P PRE ASSEMBLED SHRT LNK FR 6mm WIDE TB	100	EA	22.10	B
	CA722/10	10P PRE ASSEM SHORT LINK FOR 6mm WIDE TB	10	EA	55.20	B
	CA509/K6WHT	6 mm WIDE MARKER BLANK	1	PKT	64.40	B
	CA509/K6WP	6 mm WIDE MARKER PRINTED	1	PKT	73.50	B




Wire Range : 0.2 - 4.0 mm<sup>2</sup>  
 Current (A) : 32 A  
 Voltage (V) : 800 V  
 Dimensions Width (Thickness) x Length : 6 x 68 mm  
 Height with Din 35 x 7.5 mm Rail : 65 mm



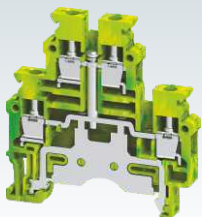
	Part #	Description	Std. Pack	UOM	List Price in	Group
TERMINAL BLOCK	ODL4U	4 mm <sup>2</sup> FEED THRU OFFSET 2 LEVEL SW CL TB	50	EA	28.50	B
	ODL4UBU	4 mm <sup>2</sup> FEED THRU OFFSET 2LVL SW CL TB BLU	50	EA	31.40	B
	ODL4UBK	4 mm <sup>2</sup> FEED THRU OFFSET 2LVL SW CL TB BLK	50	EA	31.40	B
ACCESSORIES	EPODL4U	END PLATE FOR ODL4U(FS)	50	EA	14.60	B
	EP1ODL4U	END PLATE FOR ODL4U	50	EA	5.90	B
	CA727/2	2P PRE ASSEMBLED SHRT LNK FR 6mm WIDE TB	100	EA	11.10	B
	CA727/3	3P PRE ASSEMBLED SHRT LNK FR 6mm WIDE TB	100	EA	16.60	B
	CA727/4	4P PRE ASSEMBLED SHRT LNK FR 6mm WIDE TB	100	EA	22.10	B
	CA727/10	10P PRE ASSEM SHORT LINK FOR 6mm WIDE TB	10	EA	55.20	B
	CA509/K6WHT	6 mm WIDE MARKER BLANK	1	PKT	64.40	B
	CA509/K6WP	6 mm WIDE MARKER PRINTED	1	PKT	73.50	B




Wire Range : 0.2 - 4.0 mm<sup>2</sup>  
 Current (A) : 32 A  
 Voltage (V) : 800 V  
 Dimensions Width (Thickness) x Length : 6 x 57 mm  
 Height with Din 35 x 7.5 mm Rail : 59.5 mm



	Part #	Description	Std. Pack	UOM	List Price in	Group
TERMINAL BLOCK	CDL4UN(I.S)	4 mm <sup>2</sup> 2 LEVEL SCREW CLAMP INT SHORTED TB	100	EA	34.50	B
	CDL4UN(I.S)BU	4 mm <sup>2</sup> 2 LEVEL SCRW CLMP INT SHRTD TB BLU	100	EA	38.00	B
	CDL4UN(I.S)BK	4 mm <sup>2</sup> 2 LEVEL SCRW CLMP INT SHRTD TB BLK	100	EA	38.00	B
	CDL4UN(I.S)R	4 mm <sup>2</sup> 2 LEVEL SCRW CLMP INT SHRTD TB RED	100	EA	38.00	B
	CDL4UN(I.S)Y	4 mm <sup>2</sup> 2 LEVEL SCRW CLMP INT SHRTD TB YLW	100	EA	38.00	B
ACCESSORIES	CDL4UN(I.S)GN	4 mm <sup>2</sup> 2 LEVEL SCRW CLMP INT SHRTD TB GRN	100	EA	38.00	B
	EPCDL4UN	END PLATE FOR CDL4UN	50	EA	9.30	B
	CA722/2	2P PRE ASSEMBLED SHRT LNK FR 6mm WIDE TB	100	EA	11.10	B
	CA722/3	3P PRE ASSEMBLED SHRT LNK FR 6mm WIDE TB	100	EA	16.60	B
	CA722/4	4P PRE ASSEMBLED SHRT LNK FR 6mm WIDE TB	100	EA	22.10	B
	CA722/10	10P PRE ASSEM SHORT LINK FOR 6mm WIDE TB	10	EA	55.20	B
	CA509/K6WHT	6 mm WIDE MARKER BLANK	1	PKT	64.40	B
	CA509/K6WP	6 mm WIDE MARKER PRINTED	1	PKT	73.50	B

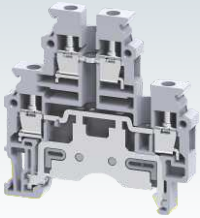


Wire Range : 0.2 - 4.0 mm<sup>2</sup>  
 Dimensions Width (Thickness) x Length : 6 x 57 mm  
 Height with Din 35 x 7.5 mm Rail : 59.5 mm












	Part #	Description	Std. Pack	UOM	List Price in	Group
TERMINAL BLOCK	CDLG4(I.S)	4 mm <sup>2</sup> 2 LEVEL SCREW CLAMP GROUND TB	100	EA	100.00	B
ACCESSORIES	EPCDL4UN	END PLATE FOR CDL4UN	50	EA	9.30	B
	CA722/2	2P PRE ASSEMBLED SHRT LNK FR 6mm WIDE TB	100	EA	11.10	B
	CA722/3	3P PRE ASSEMBLED SHRT LNK FR 6mm WIDE TB	100	EA	16.60	B
	CA722/4	4P PRE ASSEMBLED SHRT LNK FR 6mm WIDE TB	100	EA	22.10	B
	CA722/10	10P PRE ASSEM SHORT LINK FOR 6mm WIDE TB	10	EA	55.20	B
	CA509/K6WHT	6 mm WIDE MARKER BLANK	1	PKT	64.40	B
	CA509/K6WP	6 mm WIDE MARKER PRINTED	1	PKT	73.50	B

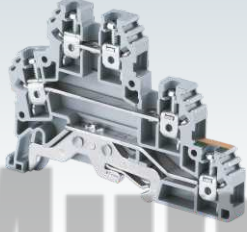
## SCREW CLAMP TERMINAL BLOCKS





Wire Range : 0.2 - 4.0 mm<sup>2</sup>  
 Current (A) : 32 A  
 Voltage (V) : 500 V  
 Dimensions Width (Thickness) x Length : 6 x 57 mm  
 Height with Din 35 x 7.5 mm Rail : 59.5 mm

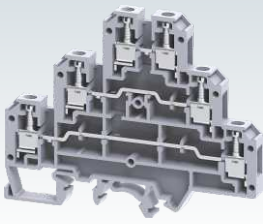
	Part #	Description	Std. Pack	UOM	List Price in	Group
TERMINAL BLOCK	CDLG4	4 mm <sup>2</sup> FEED THRU + GROUND SCREW CLAMP TB	100	EA	89.50	B
ACCESSORIES	EPCDL4UN	END PLATE FOR CDL4UN	50	EA	9.30	B
	CA722/2	2P PRE ASSEMBLED SHRT LNK FR 6mm WIDE TB	100	EA	11.10	B
	CA722/3	3P PRE ASSEMBLED SHRT LNK FR 6mm WIDE TB	100	EA	16.60	B
	CA722/4	4P PRE ASSEMBLED SHRT LNK FR 6mm WIDE TB	100	EA	22.10	B
	CA722/10	10P PRE ASSEM SHORT LINK FOR 6mm WIDE TB	10	EA	55.20	B
	CA509/K6WHT	6 mm WIDE MARKER BLANK	1	PKT	64.40	B
	CA509/K6WP	6 mm WIDE MARKER PRINTED	1	PKT	73.50	B








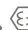



Wire Range : 0.2 - 2.5 mm<sup>2</sup>  
 Current (A) : 24 A  
 Voltage (V) : 500 V  
 Dimensions Width (Thickness) x Length : 6 x 71.7 mm  
 Height with Din 35 x 7.5 mm Rail : 52.5 mm

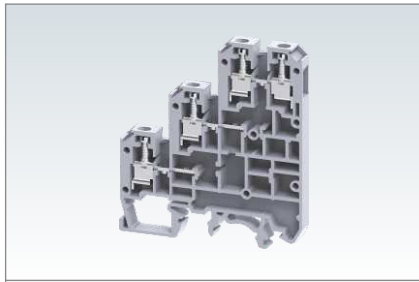
	Part #	Description	Std. Pack	UOM	List Price in	Group
TERMINAL BLOCK	CDLG2.5	2.5 mm <sup>2</sup> 2 LEVEL + GROUND SCREW CLAMP TB	100	EA	157.90	B
ACCESSORIES	EPCDLG2.5	END PLATE FOR CDLG2.5	50	EA	14.60	B
	CA627/2	2P PRE ASSEM SHRT LINK FOR 6mm WIDE TB	100	EA	11.10	B
	CA627/3	3P PRE ASSEM SHRT LINK FOR 6mm WIDE TB	100	EA	16.60	B
	CA627/4	4P PRE ASSEM SHRT LINK FOR 6mm WIDE TB	100	EA	22.10	B
	CA627/10	10P PRE ASSEM SHRT LINK FOR 6mm WIDE TB	10	EA	55.20	B
	CA509/K2GWHT	5 mm WIDE MARKER BLANK	1	PKT	64.40	B
	CA509/K2GWP	5 mm WIDE MARKER PRINTED	1	PKT	73.50	B



Wire Range : 0.2 - 2.5 mm<sup>2</sup>  
 Current (A) : 24 A  
 Voltage (V) : 500 V  
 Dimensions Width (Thickness) x Length : 6 x 84 mm  
 Height with Din 35 x 7.5 mm Rail : 68 mm

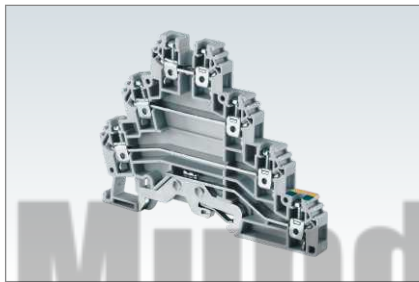
	Part #	Description	Std. Pack	UOM	List Price in	Group
TERMINAL BLOCK	CTL2.5U	2.5 mm <sup>2</sup> 3 LEVEL SCRW CLMP TERMINAL BLOCK	50	EA	60.00	B
	CTL2.5UBU	2.5 mm <sup>2</sup> 3 LEVEL SCREW CLAMP TB BLUE	50	EA	66.00	B
	CTL2.5UBK	2.5 mm <sup>2</sup> 3 LEVEL SCREW CLAMP TB BLACK	50	EA	66.00	B
	CTL2.5UR	2.5 mm <sup>2</sup> 3 LEVEL SCREW CLAMP TB RED	50	EA	66.00	B
	CTL2.5UY	2.5 mm <sup>2</sup> 3 LEVEL SCREW CLAMP TB YELLOW	50	EA	66.00	B
	CTL2.5UGN	2.5 mm <sup>2</sup> 3 LEVEL SCREW CLAMP TB GREEN	50	EA	66.00	B
ACCESSORIES	EPCTL2.5U	END PLATE FOR CTL2.5U	50	EA	12.90	B
	CA722/2	2P PRE ASSEMBLED SHRT LNK FR 6mm WIDE TB	100	EA	11.10	B
	CA722/3	3P PRE ASSEMBLED SHRT LNK FR 6mm WIDE TB	100	EA	16.60	B
	CA722/4	4P PRE ASSEMBLED SHRT LNK FR 6mm WIDE TB	100	EA	22.10	B
	CA722/10	10P PRE ASSEM SHORT LINK FOR 6mm WIDE TB	10	EA	55.20	B
	CA509/K6WHT	6 mm WIDE MARKER BLANK	1	PKT	64.40	B
	CA509/K6WP	6 mm WIDE MARKER PRINTED	1	PKT	73.50	B



Wire Range : 0.2 - 2.5 mm<sup>2</sup>  
 Current (A) : 24 A  
 Voltage (V) : 500 V  
 Dimensions Width (Thickness) x Length : 6 x 61 mm  
 Height with Din 35 x 7.5 mm Rail : 68 mm



	Part #	Description	Std. Pack	UOM	List Price in	Group
TERMINAL BLOCK	CTL2.5UH	2.5 mm <sup>2</sup> 3 LEVEL 4 WIRE SCREW CLAMP TB	50	EA	33.00	B
ACCESSORIES	EPCTL2.5UH	END PLATE FOR CTL2.5UH	50	EA	9.60	B
	CA722/2	2P PRE ASSEMBLED SHRT LNK FR 6mm WIDE TB	100	EA	11.10	B
	CA722/3	3P PRE ASSEMBLED SHRT LNK FR 6mm WIDE TB	100	EA	16.60	B
	CA722/4	4P PRE ASSEMBLED SHRT LNK FR 6mm WIDE TB	100	EA	22.10	B
	CA722/10	10P PRE ASSEM SHORT LINK FOR 6mm WIDE TB	10	EA	55.20	B
	CA509/K2WHT	6 mm WIDE MARKER BLANK	1	PKT	64.40	B
	CA509/K2WP	6 mm WIDE MARKER PRINTED	1	PKT	73.50	B



Wire Range : 0.2 - 2.5 mm<sup>2</sup>  
 Current (A) : 24 A  
 Voltage (V) : 440 V  
 Dimensions Width (Thickness) x Length : 6 x 87.5 mm  
 Height with Din 35 x 7.5 mm Rail : 66 mm



	Part #	Description	Std. Pack	UOM	List Price in	Group
TERMINAL BLOCK	CTLG2.5	2.5 mm <sup>2</sup> 2 LEVEL + GROUND SCREW CLAMP TB	50	EA	241.50	B
ACCESSORIES	EPCTLG2.5	END PLATE FOR CTLG2.5	50	EA	19.10	B
	CA627/2	2P PRE ASSEM SHRT LINK FOR 6mm WIDE TB	100	EA	11.10	B
	CA627/3	3P PRE ASSEM SHRT LINK FOR 6mm WIDE TB	100	EA	16.60	B
	CA627/4	4P PRE ASSEM SHRT LINK FOR 6mm WIDE TB	100	EA	22.10	B
	CA627/10	10P PRE ASSEM SHRT LINK FOR 6mm WIDE TB	10	EA	55.20	B
	CA509/K2GWHT	5 mm WIDE MARKER BLANK	1	PKT	64.40	B
	CA509/K2GWHP	5 mm WIDE MARKER PRINTED	1	PKT	73.50	B




Wire Range : 0.2 - 4.0 mm<sup>2</sup>  
 Dimensions Width (Thickness) x Length : 6 x 54.5 mm  
 Height with Din 35 x 7.5 mm Rail : 47 mm













	Part #	Description	Std. Pack	UOM	List Price in	Group
TERMINAL BLOCK	CGT4N	4 mm <sup>2</sup> SCREW CLAMP GROUND TERMINAL BLOCK	50	EA	57.00	B
ACCESSORIES	CA509/K6WHT	6 mm WIDE MARKER BLANK	1	PKT	64.40	B
	CA509/K6WP	6 mm WIDE MARKER PRINTED	1	PKT	73.50	B

## SCREW CLAMP TERMINAL BLOCKS



Wire Range : 0.2 - 6.0 mm<sup>2</sup>  
 Dimensions Width (Thickness) x Length : 8 x 54.5 mm  
 Height with Din 35 x 7.5 mm Rail : 48.2 mm

	Part #	Description	Std. Pack	UOM	List Price in	Group
TERMINAL BLOCK	CGT6N	6 mm <sup>2</sup> SCREW CLAMP GROUND TERMINAL BLOCK	50	EA	68.50	B
ACCESSORIES	CA509/K8WHT	8 mm WIDE MARKER BLANK	1	PKT	73.50	B
	CA509/K8WP	8 mm WIDE MARKER PRINTED	1	PKT	84.00	B



Wire Range : 0.2 - 10.0 mm<sup>2</sup>  
 Dimensions Width (Thickness) x Length : 10 x 55 mm  
 Height with Din 35 x 7.5 mm Rail : 48.5 mm























	Part #	Description	Std. Pack	UOM	List Price in	Group
TERMINAL BLOCK	CGT10N	10 mm <sup>2</sup> SCREW CLAMP GROUND TERMINAL BLOCK	50	EA	80.00	B
ACCESSORIES	CA509/K10WHT	10 mm WIDE MARKER BLANK	1	PKT	80.20	B
	CA509/K10WP	10 mm WIDE MARKER PRINTED	1	PKT	90.70	B



Wire Range : 0.2 - 16.0 mm<sup>2</sup>  
 Dimensions Width (Thickness) x Length : 12 x 55 mm  
 Height with Din 35 x 7.5 mm Rail : 48.5 mm

	Part #	Description	Std. Pack	UOM	List Price in	Group
TERMINAL BLOCK	CGT16N	16 mm <sup>2</sup> SCREW CLAMP GROUND TERMINAL BLOCK	50	EA	95.00	B
ACCESSORIES	CA509/K12WHT	10 mm WIDE MARKER BLANK	1	PKT	94.50	B
	CA509/K12WP	10 mm WIDE MARKER PRINTED	1	PKT	105.00	B



Wire Range : 2.5 - 35.0 mm<sup>2</sup>  
 Dimensions Width (Thickness) x Length : 16 x 58 mm  
 Height with Din 35 x 7.5 mm Rail : 63.2 mm



	Part #	Description	Std. Pack	UOM	List Price in	Group
TERMINAL BLOCK	CGT35U	35 mm <sup>2</sup> SW CL GROUND TB FR DIN 32/35 RAIL	20	EA	205.00	B
ACCESSORIES	CA509/K16WHT	16 mm WIDE MARKER BLANK	1	PKT	94.50	B
	CA509/K16WP	16 mm WIDE MARKER PRINTED	1	PKT	106.40	B



Wire Range : 10.0 - 70.0 mm<sup>2</sup>  
 Dimensions Width (Thickness) x Length : 20 x 77 mm  
 Height with Din 35 x 7.5 mm Rail : 71.1 mm



	Part #	Description	Std. Pack	UOM	List Price in	Group
TERMINAL BLOCK	CGT50/70N	70 mm <sup>2</sup> SCREW CLAMP GROUND TERMINAL BLK	20	EA	495.00	B
ACCESSORIES	CA509/K16WHT	16 mm WIDE MARKER BLANK	1	PKT	94.50	B
	CA509/K16WP	16 mm WIDE MARKER PRINTED	1	PKT	106.40	B



Wire Range : 0.2 - 4.0 mm<sup>2</sup>  
 Dimensions Width (Thickness) x Length : 6 x 27 mm  
 Height with Din 15 mm Rail : 30.7 mm



	Part #	Description	Std. Pack	UOM	List Price in	Group
TERMINAL BLOCK	CGMT4	4 mm <sup>2</sup> SCREW CLMP GROUND TB FR DIN15 RAIL	100	EA	40.00	B
ACCESSORIES	CA509/K2WHT	6 mm WIDE MARKER BLANK	1	PKT	64.40	B
	CA509/K2WP	6 mm WIDE MARKER PRINTED	1	PKT	73.50	B

## SCREW CLAMP TERMINAL BLOCKS



Wire Range : 10.0 mm<sup>2</sup>  
 Dimensions Width (Thickness) x Length : 7.5 x 23.3 mm







	Part #	Description	Std. Pack	UOM	List Price in	Group
TERMINAL BLOCK	CENC4	4mm <sup>2</sup> NEUTRAL/EARTH CLAMP GREEN	50	EA	11.00	B
	CENC4BU	4mm <sup>2</sup> NEUTRAL/EARTH CLAMP BLUE	50	EA	12.10	B
	CENC4BK	4mm <sup>2</sup> NEUTRAL/EARTH CLAMP BLACK	50	EA	12.10	B
	CENC4R	4mm <sup>2</sup> NEUTRAL/EARTH CLAMP RED	50	EA	12.10	B
	CENC4Y	4mm <sup>2</sup> NEUTRAL/EARTH CLAMP YELLOW	50	EA	12.10	B
	CENC4G	4mm <sup>2</sup> NEUTRAL/EARTH CLAMP GREY	50	EA	12.10	B
ACCESSORIES	NEB6	COPPER BUS BAR 6X6mm 1METER LONG	10	EA	840.00	B
	NEB10	COPPER BUS BAR 10X3mm 1METER LONG	10	EA	840.00	B
	NES	PLASTIC SUPPORT FOR NEB	50	EA	10.00	B
	CA509/K5WHT	5 mm WIDE MARKER BLANK	1	PKT	64.40	B
	CA509/K5WP	5 mm WIDE MARKER PRINTED	1	PKT	73.50	B



Wire Range : 10.0 - 16.0 mm<sup>2</sup>  
 Dimensions Width (Thickness) x Length : 9.8 x 23.3 mm








	Part #	Description	Std. Pack	UOM	List Price in	Group
TERMINAL BLOCK	CENC16	16mm <sup>2</sup> NEUTRAL/EARTH CLAMP GREEN	50	EA	14.50	B
	CENC16BU	16mm <sup>2</sup> NEUTRAL/EARTH CLAMP BLUE	50	EA	16.00	B
	CENC16BK	16mm <sup>2</sup> NEUTRAL/EARTH CLAMP BLACK	50	EA	16.00	B
	CENC16R	16mm <sup>2</sup> NEUTRAL/EARTH CLAMP RED	50	EA	16.00	B
	CENC16Y	16mm <sup>2</sup> NEUTRAL/EARTH CLAMP YELLOW	50	EA	16.00	B
	CENC16G	16mm <sup>2</sup> NEUTRAL/EARTH CLAMP GREY	50	EA	16.00	B
ACCESSORIES	NEB6	COPPER BUS BAR 6X6mm 1METER LONG	10	EA	840.00	B
	NEB10	COPPER BUS BAR 10X3mm 1METER LONG	10	EA	840.00	B
	NES	PLASTIC SUPPORT FOR NEB	50	EA	10.00	B
	CA509/K5WHT	5 mm WIDE MARKER BLANK	1	PKT	64.40	B
	CA509/K5WP	5 mm WIDE MARKER PRINTED	1	PKT	73.50	B



Wire Range : 10.0 - 35.0 mm<sup>2</sup>  
 Dimensions Width (Thickness) x Length : 14.5 x 27.3 mm








	Part #	Description	Std. Pack	UOM	List Price in	Group
TERMINAL BLOCK	CENC35	35mm <sup>2</sup> NEUTRAL/EARTH CLAMP GREEN	50	EA	26.00	B
	CENC35BU	35mm <sup>2</sup> NEUTRAL/EARTH CLAMP BLUE	50	EA	28.60	B
	CENC35BK	35mm <sup>2</sup> NEUTRAL/EARTH CLAMP BLACK	50	EA	28.60	B
	CENC35R	35mm <sup>2</sup> NEUTRAL/EARTH CLAMP RED	50	EA	28.60	B
	CENC35Y	35mm <sup>2</sup> NEUTRAL/EARTH CLAMP YELLOW	50	EA	28.60	B
	CENC35G	35mm <sup>2</sup> NEUTRAL/EARTH CLAMP GREY	50	EA	28.60	B
ACCESSORIES	NEB6	COPPER BUS BAR 6X6mm 1METER LONG	10	EA	840.00	B
	NEB10	COPPER BUS BAR 10X3mm 1METER LONG	10	EA	840.00	B
	NES	PLASTIC SUPPORT FOR NEB	50	EA	10.00	B
	CA509/K5WHT	5 mm WIDE MARKER BLANK	1	PKT	64.40	B
	CA509/K5WP	5 mm WIDE MARKER PRINTED	1	PKT	73.50	B



Wire Range : 0.2 - 4.0 mm<sup>2</sup>  
 Current (A) : 6.3 A  
 Voltage (V) : 800 V  
 Dimensions Width (Thickness) x Length : 8 x 57 mm  
 Height with Din 35 x 7.5 mm Rail : 50.3 mm



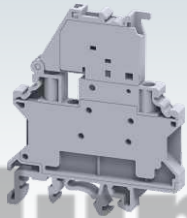













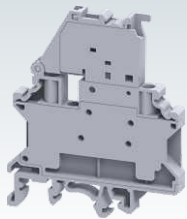
	Part #	Description	Std. Pack	UOM	List Price in	Group
TERMINAL BLOCK	CF4U	4mm <sup>2</sup> Ø5X20mm FUSE SCREW CLAMP TERMINAL	100	EA	35.50	B
	CF4UBU	4mm <sup>2</sup> Ø5X20mm SCREW CLAMP FUSE TB BLUE	100	EA	39.10	B
	CF4UBK	4mm <sup>2</sup> Ø5X20mm SCREW CLAMP FUSE TB BLACK	100	EA	39.10	B
ACCESSORIES	CA509/K8WHT	8 mm WIDE MARKER BLANK - ON TERMINAL	1	PKT	73.50	B
	CA509/K8WP	8 mm WIDE MARKER PRINTED - ON TERMINAL	1	PKT	84.00	B
	CA509/K6WHT	6 mm WIDE MARKER BLANK	1	PKT	64.40	B
	CA509/K6WP	6 mm WIDE MARKER PRINTED	1	PKT	73.50	B








Wire Range : 0.2 - 4.0 mm<sup>2</sup>  
 Current (A) : 10 A  
 Voltage (V) : 1000 V  
 Dimensions Width (Thickness) x Length : 6 x 58.5 mm  
 Height with Din 35 x 7.5 mm Rail : 70 mm

	Part #	Description	Std. Pack	UOM	List Price in	Group
TERMINAL BLOCK	CF4SP	4mm <sup>2</sup> Ø5X20mm FUSE 6mm WIDE TERMINAL BLOCK	50	EA	57.20	B
	CF4SPFT	4mm <sup>2</sup> CF4SP PRO FEED THRU SCREW CLAMP TB	50	EA	44.00	B
ACCESSORIES	CA722/2	2P PRE ASSEMBLED SHRT LNK FR 6mm WIDE TB	100	EA	11.10	B
	CA722/3	3P PRE ASSEMBLED SHRT LNK FR 6mm WIDE TB	100	EA	16.60	B
	CA722/4	4P PRE ASSEMBLED SHRT LNK FR 6mm WIDE TB	100	EA	22.10	B
	CA722/10	10P PRE ASSEM SHORT LINK FOR 6mm WIDE TB	10	EA	55.20	B
	CA509/K6WHT	6 mm WIDE MARKER BLANK	1	PKT	64.40	B
	CA509/K6WP	6 mm WIDE MARKER PRINTED	1	PKT	73.50	B

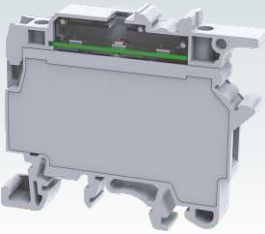


Wire Range : 0.2 - 4.0 mm<sup>2</sup>  
 Current (A) : 10 A  
 Voltage (V) : 1000 V  
 Dimensions Width (Thickness) x Length : 6 x 58.5 mm  
 Height with Din 35 x 7.5 mm Rail : 70 mm


	Part #	Description	Std. Pack	UOM	List Price in	Group
TERMINAL BLOCK	CF4SPL6-60V	4mm <sup>2</sup> Ø5X20mm FUSE 6mm WIDE TB 6-60V	50	EA	68.20	B
	CF4SPL110-240V	4mm <sup>2</sup> Ø5X20mm FUSE 6mm WIDE TB 110-240V	50	EA	68.20	B
ACCESSORIES	CA722/2	2P PRE ASSEMBLED SHRT LNK FR 6mm WIDE TB	100	EA	11.10	B
	CA722/3	3P PRE ASSEMBLED SHRT LNK FR 6mm WIDE TB	100	EA	16.60	B
	CA722/4	4P PRE ASSEMBLED SHRT LNK FR 6mm WIDE TB	100	EA	22.10	B
	CA722/10	10P PRE ASSEM SHORT LINK FOR 6mm WIDE TB	10	EA	55.20	B
	CA509/K6WHT	6 mm WIDE MARKER BLANK	1	PKT	64.40	B
	CA509/K6WP	6 mm WIDE MARKER PRINTED	1	PKT	73.50	B

## SCREW CLAMP TERMINAL BLOCKS




Wire Range : 0.2 - 4.0 mm<sup>2</sup>  
 Current (A) : 6.3 A  
 Voltage (V) : 800 V  
 Dimensions Width (Thickness) x Length : 8 x 57 mm  
 Height with Din 35 x 7.5 mm Rail : 50.3 mm





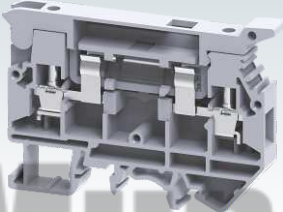



















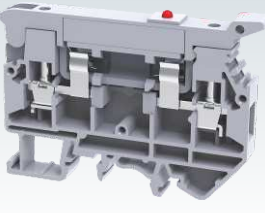
	Part #	Description	Std. Pack	UOM	List Price in	Group
TERMINAL BLOCK	CF4UL6-60V	4mm <sup>2</sup> Ø5X20mm SCREW CLAMP FUSE TB 6-60V	100	EA	50.90	B
	CF4UL6-60VBK	4mm <sup>2</sup> Ø5X20mm SCREW CL FUSE TB 6-60V BLK	100	EA	56.20	B
	CF4UL6-60VBU	4mm <sup>2</sup> Ø5X20mm SCREW CL FUSE TB 6-60V BLU	100	EA	56.20	B
	CF4UL110-240V	4mm <sup>2</sup> Ø5X20mm SW CL FUSE TB 110-240V	100	EA	50.90	B
	CF4UL110-240VBK	4mm <sup>2</sup> Ø5X20mm SW CL FUSE TB 110-240V BLK	100	EA	56.20	B
	CF4UL110-240VBU	4mm <sup>2</sup> Ø5X20mm SW CL FUSE TB 110-240V BLU	100	EA	56.20	B
	CF4UL440V5.0	4mm <sup>2</sup> Ø5X20mm 5mA SW CL FUS TB 440V	100	EA	55.60	B
ACCESSORIES	CA509/K8WHT	8 mm WIDE MARKER BLANK - ON TERMINAL	1	PKT	73.50	B
	CA509/K8WP	8 mm WIDE MARKER PRINTED - ON TERMINAL	1	PKT	84.00	B
	CA509/K6WHT	6 mm WIDE MARKER BLANK	1	PKT	64.40	B
	CA509/K6WP	6 mm WIDE MARKER PRINTED	1	PKT	73.50	B













Wire Range : 0.2 - 4.0 mm<sup>2</sup>  
 Current (A) : 6.3 A  
 Voltage (V) : 1000 V  
 Dimensions Width (Thickness) x Length : 9 x 76 mm  
 Height with Din 35 x 7.5 mm Rail : 55.3 mm

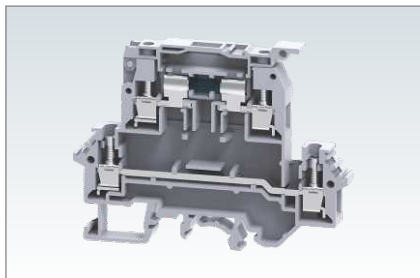
	Part #	Description	Std. Pack	UOM	List Price in	Group
TERMINAL BLOCK	CAFL4U	4mm <sup>2</sup> Ø6X32mm 6.3A FUSE SCR W CL TERMINAL	25	EA	70.00	B
	CAFL4UW/F	4mm <sup>2</sup> Ø6X32mm FUSE SCREW CLAMP TERMINAL	25	EA	59.40	B
ACCESSORIES	EPCAFL4U	END PLATE FOR CAFL4U	50	EA	10.10	B
	CA509/K9WHT	9 mm WIDE MARKER BLANK - ON TERMINAL	1	PKT	73.50	B
	CA509/K9WP	9 mm WIDE MARKER PRINTED - ON TERMINAL	1	PKT	84.00	B



Wire Range : 0.2 - 4.0 mm<sup>2</sup>  
 Current (A) : 6.3 A  
 Voltage (V) : 1000 V  
 Dimensions Width (Thickness) x Length : 9 x 76 mm  
 Height with Din 35 x 7.5 mm Rail : 55.3 mm

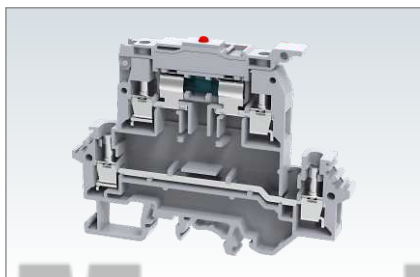
	Part #	Description	Std. Pack	UOM	List Price in	Group
TERMINAL BLOCK	CAFL4UL110V	4mm <sup>2</sup> Ø6X32mm 6.3A FUSE SCR W CLMP TB 110V	25	EA	77.50	B
	CAFL4UL110VW/F	4mm <sup>2</sup> Ø6X32mm FUSE SCREW CLAMP TB 110V	25	EA	72.20	B
	CAFL4UL220V	4mm <sup>2</sup> Ø6X32mm 6.3A FUSE SCR W CLMP TB 220V	25	EA	77.50	B
	CAFL4UL220VW/F	4mm <sup>2</sup> Ø6X32mm FUSE SCREW CLAMP TB 220V	25	EA	72.20	B
	CAFL4UL24V	4mm <sup>2</sup> Ø6X32mm 6.3A FUSE SCR W CLMP TB 24V	25	EA	77.50	B
	CAFL4UL24VW/F	4mm <sup>2</sup> Ø6X32mm FUSE SCREW CLAMP TB 24V	25	EA	72.20	B
	CAFL4UL440V	4mm <sup>2</sup> Ø6X32mm 6.3A FUSE SCR W CLMP TB 440V	25	EA	77.50	B
	CAFL4UL48V	4mm <sup>2</sup> Ø6X32mm 6.3A FUSE SCR W CLMP TB 48V	25	EA	77.50	B
ACCESSORIES	EPCAFL4U	END PLATE FOR CAFL4U	50	EA	10.10	B
	CA509/K9WHT	9 mm WIDE MARKER BLANK - ON TERMINAL	1	PKT	73.50	B
	CA509/K9WP	9 mm WIDE MARKER PRINTED - ON TERMINAL	1	PKT	84.00	B



Wire Range : 0.2 - 4.0 mm<sup>2</sup>  
 Current (A) : 6.3 A / 32 A  
 Voltage (V) : 800 V  
 Dimensions Width (Thickness) x Length : 8 x 88 mm  
 Height with Din 35 x 7.5 mm Rail : 67.4 mm



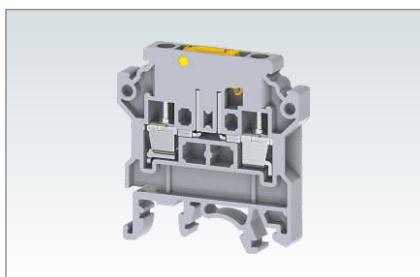
	Part #	Description	Std. Pack	UOM	List Price in	Group
TERMINAL BLOCK	DDFL4U	4 mm <sup>2</sup> 2 LEVEL Ø5X20mm 6.3A SW CL FUSE TB	20	EA	83.30	B
	DDFL4UBU	4 mm <sup>2</sup> 2 LVL Ø5X20mm 6.3A SW CL FUSE BLU	20	EA	92.60	B
	DDFL4UBK	4 mm <sup>2</sup> 2 LVL Ø5X20mm 6.3A SW CL FUSE BLK	20	EA	91.60	B
	DDFL4UW/F	4 mm <sup>2</sup> 2 LEVEL Ø5X20mm SCREW CL FUSE TB	20	EA	74.00	B
ACCESSORIES	EPDDL4U	END PLATE FOR DDFL4U	50	EA	13.00	B
	CA509/K8WHT	8 mm WIDE MARKER BLANK - ON TERMINAL	1	PKT	73.50	B
	CA509/K8WP	8 mm WIDE MARKER PRINTED - ON TERMINAL	1	PKT	84.00	B
	CA509/K2WHT	6 mm WIDE MARKER BLANK - CONTINUOUS TAG	1	PKT	64.40	B
	CA509/K2WP	6 mm WIDE MARKER PRINTED - CONTINUOUS TAG	1	PKT	73.50	B



Wire Range : 0.2 - 4.0 mm<sup>2</sup>  
 Current (A) : 6.3 A / 32 A  
 Voltage (V) : 800 V  
 Dimensions Width (Thickness) x Length : 8 x 88 mm  
 Height with Din 35 x 7.5 mm Rail : 67.4 mm



	Part #	Description	Std. Pack	UOM	List Price in	Group
TERMINAL BLOCK	DDFL4UE110-240V	4 mm <sup>2</sup> 2 LVL Ø5X20mm 6.3A FUSE 110-240V	20	EA	90.00	B
	DDFL4UE110V	4 mm <sup>2</sup> 2 LVL Ø5X20mm 6.3A SW CL FUSE 110V	20	EA	90.00	B
	DDFL4UE110VW/F	4 mm <sup>2</sup> 2 LVL Ø5X20mm SCREW CL FUSE 110V	20	EA	85.50	B
	DDFL4UE12V	4 mm <sup>2</sup> 2 LVL Ø5X20mm 6.3A SW CL FUSE 12V	20	EA	90.00	B
	DDFL4UE220V	4 mm <sup>2</sup> 2 LVL Ø5X20mm 6.3A SW CL FUSE 220V	20	EA	90.00	B
	DDFL4UE220VW/F	4 mm <sup>2</sup> 2 LVL Ø5X20mm SCREW CL FUSE 220V	20	EA	85.50	B
	DDFL4UE24V	4 mm <sup>2</sup> 2 LVL Ø5X20mm 6.3A SW CL FUSE 24V	20	EA	90.00	B
	DDFL4UE24VW/F	4 mm <sup>2</sup> 2 LVL Ø5X20mm SCREW CL FUSE 24V	20	EA	85.50	B
	DDFL4UE440V	4 mm <sup>2</sup> 2 LVL Ø5X20mm 6.3A SW CL FUSE 440V	20	EA	102.40	B
	DDFL4UE440VW/F	4 mm <sup>2</sup> 2 LVL Ø5X20mm SCREW CL FUSE 440V	20	EA	93.40	B
	DDFL4UE48V	4 mm <sup>2</sup> 2 LVL Ø5X20mm 6.3A SW CL FUSE 48V	20	EA	90.00	B
	DDFL4UE48VW/F	4 mm <sup>2</sup> 2 LVL Ø5X20mm SCREW CL FUSE 48V	20	EA	85.50	B
DDFL4UE6-60V	4 mm <sup>2</sup> 2 LVL Ø5X20mm 6.3A SW CL FUS 6-60V	20	EA	90.00	B	
ACCESSORIES	EPDDL4U	END PLATE FOR DDFL4U	50	EA	13.00	B
	CA509/K8WHT	8 mm WIDE MARKER BLANK - ON TERMINAL	1	PKT	73.50	B
	CA509/K8WP	8 mm WIDE MARKER PRINTED - ON TERMINAL	1	PKT	84.00	B
	CA509/K2WHT	6 mm WIDE MARKER BLANK - CONTINUOUS TAG	1	PKT	64.40	B
	CA509/K2WP	6 mm WIDE MARKER PRINTED - CONTINUOUS TAG	1	PKT	73.50	B

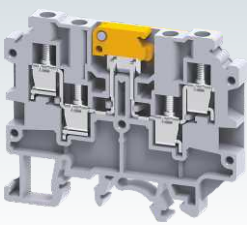


Wire Range : 0.2 - 4.0 mm<sup>2</sup>  
 Current (A) : 28 A  
 Voltage (V) : 800 V  
 Dimensions Width (Thickness) x Length : 6 x 46.3 mm  
 Height with Din 35 x 7.5 mm Rail : 48.3 mm






	Part #	Description	Std. Pack	UOM	List Price in	Group
TERMINAL BLOCK	CKT4U	4 mm <sup>2</sup> KNIFE DISCONNECT SCREW CLAMP TB	50	EA	34.50	B
	CKT4UBU	4 mm <sup>2</sup> KNIFE DISCONNECT SCREW CL TB BLU	50	EA	38.00	B
	CKT4U/S	4 mm <sup>2</sup> KNIFE DISCONNECT SCREW CLAMP TB	50	EA	32.30	B
	CKT4UH	4 mm <sup>2</sup> KNIFE DISCONNECT SCREW CLAMP TB	50	EA	37.40	B
ACCESSORIES	EPCKT4U	END PLATE FOR CKT4U	50	EA	8.40	B
	CA509/K6WHT	6 mm WIDE MARKER BLANK	1	PKT	64.40	B
	CA509/K6WP	6 mm WIDE MARKER PRINTED	1	PKT	73.50	B



## SCREW CLAMP TERMINAL BLOCKS



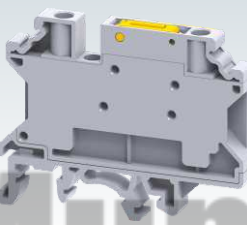
Wire Range : 0.2 - 4.0 mm<sup>2</sup>  
 Current (A) : 17.5 A  
 Voltage (V) : 800 V  
 Dimensions Width (Thickness) x Length : 6 x 65 mm  
 Height with Din 35 x 7.5 mm Rail : 54.3 mm











	Part #	Description	Std. Pack	UOM	List Price in	Group
TERMINAL BLOCK	CKT4U/4	4 mm <sup>2</sup> 4 WIRE KNIFE DISCON SCREW CL TB	50	EA	61.00	B
ACCESSORIES	EPCKT4U/4	END PLATE FOR CKT4U/4	50	EA	12.90	B
	CA509/K6WHT	6 mm WIDE MARKER BLANK	1	PKT	64.40	B
	CA509/K6WP	6 mm WIDE MARKER PRINTED	1	PKT	73.50	B

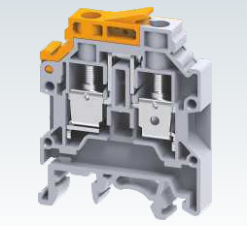


Wire Range : 0.2 - 4.0 mm<sup>2</sup>  
 Current (A) : 28 A  
 Voltage (V) : 1000 V  
 Dimensions Width (Thickness) x Length : 6 x 58.5 mm  
 Height with Din 35 x 7.5 mm Rail : 46 mm





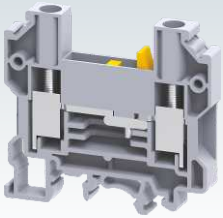
	Part #	Description	Std. Pack	UOM	List Price in	Group
TERMINAL BLOCK	CKT4SP	4 mm <sup>2</sup> KNIFE DISCONNECT SCREW CLAMP TB	50	EA	55.00	B
ACCESSORIES	CA722/2	2P PRE ASSEMBLED SHRT LNK FR 6mm WIDE TB	100	EA	11.10	B
	CA722/3	3P PRE ASSEMBLED SHRT LNK FR 6mm WIDE TB	100	EA	16.60	B
	CA722/4	4P PRE ASSEMBLED SHRT LNK FR 6mm WIDE TB	100	EA	22.10	B
	CA722/10	10P PRE ASSEM SHORT LINK FOR 6mm WIDE TB	10	EA	55.20	B
	CA509/K6WHT	6 mm WIDE MARKER BLANK	1	PKT	64.40	B
	CA509/K6WP	6 mm WIDE MARKER PRINTED	1	PKT	73.50	B









Wire Range : 0.5 - 6.0 mm<sup>2</sup>  
 Current (A) : 41 A  
 Voltage (V) : 1000 V  
 Dimensions Width (Thickness) x Length : 8 x 42.5 mm  
 Height with Din 35 x 7.5 mm Rail : 51.2 mm



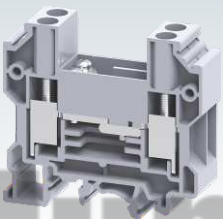
	Part #	Description	Std. Pack	UOM	List Price in	Group
TERMINAL BLOCK	CKT6U	6 mm <sup>2</sup> KNIFE DISCON TEST SOCKET SW CL TB	50	EA	65.00	B
ACCESSORIES	EP6/10U	END PLATE FOR EPCDTTU	50	EA	5.40	B
	CA509/K8WHT	8 mm WIDE MARKER BLANK	1	PKT	73.50	B
	CA509/K8WP	8 mm WIDE MARKER PRINTED	1	PKT	84.00	B









Wire Range : 1.5 - 10.0 mm<sup>2</sup>  
 Current (A) : 57 A  
 Voltage (V) : 800 V  
 Dimensions Width (Thickness) x Length : 8 x 63 mm  
 Height with Din 35 x 7.5 mm Rail : 58.7 mm

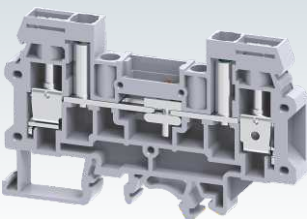
	Part #	Description	Std. Pack	UOM	List Price in	Group
TERMINAL BLOCK	CDTTU	10mm <sup>2</sup> SLIDE LINK DISCONNECT SCREW CLMP TB	50	EA	77.00	B
	CDTTUBU	10mm <sup>2</sup> SLIDE LINK DISCON SCRW CLMP TB BLU	50	EA	84.70	B
	CDTTUBK	10mm <sup>2</sup> SLIDE LINK DISCON SCRW CLMP TB BLK	50	EA	84.70	B
	CDTTUR	10mm <sup>2</sup> SLIDE LINK DISCON SCRW CLMP TB RED	50	EA	84.70	B
	CDTTUY	10mm <sup>2</sup> SLIDE LINK DISCON SCRW CLMP TB YLW	50	EA	84.70	B
	CDTTUGN	10mm <sup>2</sup> SLIDE LINK DISCON SCRW CLMP TB GRN	50	EA	84.70	B
ACCESSORIES	EPCDTTU	END PLATE FOR EPCDTTU	50	EA	12.40	B
	CA509/K8WHT	8 mm WIDE MARKER BLANK	1	PKT	73.50	B
	CA509/K8WP	8 mm WIDE MARKER PRINTED	1	PKT	84.00	B









Wire Range : 1.5 - 10.0 mm<sup>2</sup>  
 Current (A) : 10 A  
 Voltage (V) : 160 V  
 Dimensions Width (Thickness) x Length : 16 x 63 mm  
 Height with Din 35 x 7.5 mm Rail : 58.7 mm

	Part #	Description	Std. Pack	UOM	List Price in	Group
TERMINAL BLOCK	CDTTUSH	10 mm <sup>2</sup> DISCONNECT SHRTD SCREW CLAMP TB	20	EA	165.00	B
ACCESSORIES	EPCDTTU	END PLATE FOR EPCDTTU	50	EA	12.40	B
	CA509/K8WHT	8 mm WIDE MARKER BLANK	1	PKT	73.50	B
	CA509/K8WP	8 mm WIDE MARKER PRINTED	1	PKT	84.00	B

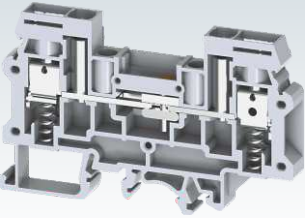


Wire Range : 0.2 - 6.0 mm<sup>2</sup>  
 Current (A) : 41 A  
 Voltage (V) : 800 V  
 Dimensions Width (Thickness) x Length : 8 x 82 mm  
 Height with Din 35 x 7.5 mm Rail : 51 mm














	Part #	Description	Std. Pack	UOM	List Price in	Group
TERMINAL BLOCK	CDS6U	6 mm <sup>2</sup> SLIDE LINK DISCONNECT SCRW CLMP TB	50	EA	53.00	B
	CDS6UBU	6 mm <sup>2</sup> SLIDE LINK DISCON SCRW CLMP TB BLU	50	EA	59.00	B
	CDS6UBK	6 mm <sup>2</sup> SLIDE LINK DISCON SCRW CLMP TB BLK	50	EA	59.00	B
	CDS6UR	6 mm <sup>2</sup> SLIDE LINK DISCON SCRW CLMP TB RED	50	EA	59.00	B
	CDS6UY	6 mm <sup>2</sup> SLIDE LINK DISCON SCRW CLMP TB YLW	50	EA	59.00	B
	CDS6UGN	6 mm <sup>2</sup> SLIDE LINK DISCON SCRW CLMP TB GRN	50	EA	59.00	B
ACCESSORIES	EPCDS6U	END PLATE FOR CDS6U	50	EA	10.10	B
	CA723/2	2P PRE ASSEMBLED SHRT LNK FR 6mm WIDE TB	100	EA	13.60	B
	CA723/3	3P PRE ASSEMBLED SHRT LNK FR 6mm WIDE TB	50	EA	20.40	B
	CA723/4	4P PRE ASSEMBLED SHRT LNK FR 6mm WIDE TB	50	EA	27.20	B
	CA723/10	10P PRE ASSEM SHORT LINK FOR 6mm WIDE TB	10	EA	67.90	B
	CA509/K8WHT	8 mm WIDE MARKER BLANK	1	PKT	73.50	B
	CA509/K8WP	8 mm WIDE MARKER PRINTED	1	PKT	84.00	B

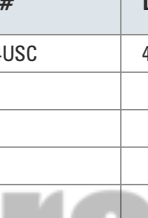
## SCREW CLAMP TERMINAL BLOCKS









Wire Range : 0.2 - 6.0 mm<sup>2</sup>  
 Current (A) : 41 A  
 Voltage (V) : 800 V  
 Dimensions Width (Thickness) x Length : 8 x 82 mm  
 Height with Din 35 x 7.5 mm Rail : 51 mm

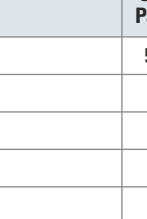
	Part #	Description	Std. Pack	UOM	List Price in	Group
TERMINAL BLOCK	CDS6U/SC	6 mm <sup>2</sup> DISCONNECT SPRING LOADED SW CL TB	50	EA	91.00	B
	EPCDS6U	END PLATE FOR CDS6U	50	EA	10.10	B
	CA723/2	2P PRE ASSEMBLED SHRT LNK FR 6mm WIDE TB	100	EA	13.60	B
	CA723/3	3P PRE ASSEMBLED SHRT LNK FR 6mm WIDE TB	50	EA	20.40	B
	CA723/4	4P PRE ASSEMBLED SHRT LNK FR 6mm WIDE TB	50	EA	27.20	B
ACCESSORIES	CA723/10	10P PRE ASSEM SHORT LINK FOR 6mm WIDE TB	10	EA	67.90	B
	CA509/K8WHT	8 mm WIDE MARKER BLANK	1	PKT	73.50	B
	CA509/K8WP	8 mm WIDE MARKER PRINTED	1	PKT	84.00	B









Wire Range : 0.2 - 4.0 mm<sup>2</sup>  
 Current (A) : 32 A  
 Voltage (V) : 1000 V  
 Dimensions Width (Thickness) x Length : 6 x 52 mm  
 Height with Din 35 x 7.5 mm Rail : 63.4 mm

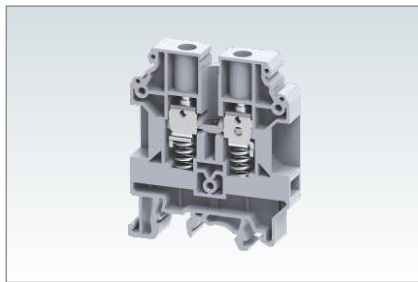
	Part #	Description	Std. Pack	UOM	List Price in	Group
TERMINAL BLOCK	CTS4USC	4 mm <sup>2</sup> FD THRU SPRNG LOADED TERMINL BLOCK	50	EA	24.50	B
ACCESSORIES	EPUSC	END PLT FR CTS4USC/6USC/10USC/CHV SERIES	50	EA	9.00	B
	CA623/2	2P PRE ASSEM SHRT LINK FOR 6mm WIDE TB	100	EA	11.30	B
	CA623/3	3P PRE ASSEM SHRT LINK FOR 6mm WIDE TB	100	EA	17.00	B
	CA623/4	4P PRE ASSEM SHRT LINK FOR 6mm WIDE TB	100	EA	22.60	B
	CA623/10	10P PRE ASSEM SHRT LINK FOR 6mm WIDE TB	10	EA	56.40	B
	CA509/K6WHT	6 mm WIDE MARKER BLANK	1	PKT	64.40	B
	CA509/K6WP	6 mm WIDE MARKER PRINTED	1	PKT	73.50	B



Wire Range : 0.2 - 6.0 mm<sup>2</sup>  
 Current (A) : 41 A  
 Voltage (V) : 1000 V  
 Dimensions Width (Thickness) x Length : 8 x 52 mm  
 Height with Din 35 x 7.5 mm Rail : 63.4 mm

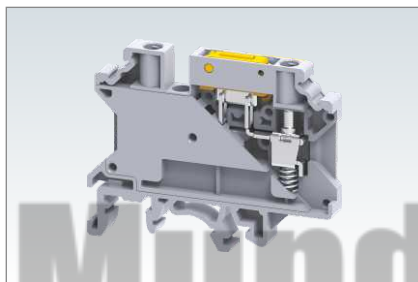
	Part #	Description	Std. Pack	UOM	List Price in	Group
TERMINAL BLOCK	CTS6USC	6 mm <sup>2</sup> FEED THRU SPRING LOADED TB	50	EA	27.00	B
ACCESSORIES	EPUSC	END PLT FR CTS4USC/6USC/10USC/CHV SERIES	50	EA	9.00	B
	CA624/2	2P PRE ASSEM SHRT LINK FOR 8mm WIDE TB	100	EA	12.70	B
	CA624/3	3P PRE ASSEM SHRT LINK FOR 8mm WIDE TB	100	EA	19.00	B
	CA624/4	4P PRE ASSEM SHRT LINK FOR 8mm WIDE TB	100	EA	25.30	B
	CA624/10	10P PRE ASSEM SHRT LINK FOR 8mm WIDE TB	10	EA	63.30	B
	CA509/K8WHT	8 mm WIDE MARKER BLANK	1	PKT	73.50	B
	CA509/K8WP	8 mm WIDE MARKER PRINTED	1	PKT	84.00	B



Wire Range : 0.2 - 10.0 mm<sup>2</sup>  
 Current (A) : 57 A  
 Voltage (V) : 1000 V  
 Dimensions Width (Thickness) x Length : 10 x 52 mm  
 Height with Din 35 x 7.5 mm Rail : 63.4 mm



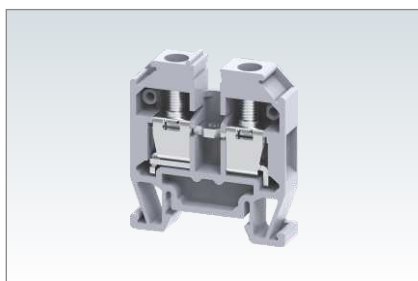
	Part #	Description	Std. Pack	UOM	List Price in	Group
TERMINAL BLOCK	CTS10USC	10 mm <sup>2</sup> FEED THRU SPRING LOADED TB	50	EA	33.00	B
ACCESSORIES	EPUSC	END PLT FR CTS4USC/6USC/10USC/CHV SERIES	50	EA	9.00	B
	CA625/2	2P PRE ASSEM SHRT LINK FOR 10mm WIDE TB	100	EA	14.10	B
	CA625/3	3P PRE ASSEM SHRT LINK FOR 10mm WIDE TB	100	EA	21.10	B
	CA625/4	4P PRE ASSEM SHRT LINK FOR 10mm WIDE TB	100	EA	28.10	B
	CA625/10	10P PRE ASSEM SHRT LINK FOR 10mm WIDE TB	10	EA	70.20	B
	CA509/K10WHT	10 mm WIDE MARKER BLANK	1	PKT	80.20	B
	CA509/K10WP	10 mm WIDE MARKER PRINTED	1	PKT	90.70	B



Wire Range : 0.2 - 4.0 mm<sup>2</sup>  
 Current (A) : 28 A  
 Voltage (V) : 1000 V  
 Dimensions Width (Thickness) x Length : 6 x 58.5 mm  
 Height with Din 35 x 7.5 mm Rail : 46 mm



	Part #	Description	Std. Pack	UOM	List Price in	Group
TERMINAL BLOCK	CKT4SPSC	4 mm <sup>2</sup> KNIFE DISCON SPRING LOADED SW CL TB	50	EA	66.00	B
ACCESSORIES	CA722/2	2P PRE ASSEMBLED SHRT LNK FR 6mm WIDE TB	100	EA	11.10	B
	CA722/3	3P PRE ASSEMBLED SHRT LNK FR 6mm WIDE TB	100	EA	16.60	B
	CA722/4	4P PRE ASSEMBLED SHRT LNK FR 6mm WIDE TB	100	EA	22.10	B
	CA722/10	10P PRE ASSEM SHORT LINK FOR 6mm WIDE TB	10	EA	55.20	B
	CA509/K6WHT	6 mm WIDE MARKER BLANK	1	PKT	64.40	B
	CA509/K6WP	6 mm WIDE MARKER PRINTED	1	PKT	73.50	B

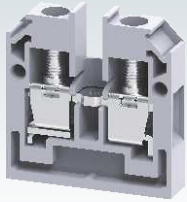


Wire Range : 0.2 - 4.0 mm<sup>2</sup>  
 Current (A) : 32 A  
 Voltage (V) : 500 V  
 Dimensions Width (Thickness) x Length : 6 x 27 mm  
 Height with Din 15 mm Rail : 30.4 mm




	Part #	Description	Std. Pack	UOM	List Price in	Group
TERMINAL BLOCK	CMT4	4 mm <sup>2</sup> SCREW CLAMP TB FOR DIN15 RAIL	100	EA	8.10	B
	CMT4BU	4 mm <sup>2</sup> SCREW CLAMP TB FOR DIN15 RAIL BLU	100	EA	9.00	B
	CMT4BK	4 mm <sup>2</sup> SCREW CLAMP TB FOR DIN15 RAIL BLK	100	EA	9.00	B
	CMT4R	4 mm <sup>2</sup> SCREW CLAMP TB FOR DIN15 RAIL RED	100	EA	9.00	B
	CMT4Y	4 mm <sup>2</sup> SCREW CLAMP TB FOR DIN15 RAIL YLW	100	EA	9.00	B
	CMT4GN	4 mm <sup>2</sup> SCREW CLAMP TB FOR DIN15 RAIL GRN	100	EA	9.00	B
ACCESSORIES	EPCMT4	END PLATE FOR CMT4	50	EA	5.10	B
	PPCMT4	PARTITION PLATE FOR CMT4	50	EA	6.60	B
	CA727/2	2P PRE ASSEMBLED SHRT LNK FR 6mm WIDE TB	100	EA	11.10	B
	CA727/3	3P PRE ASSEMBLED SHRT LNK FR 6mm WIDE TB	100	EA	16.60	B
	CA727/4	4P PRE ASSEMBLED SHRT LNK FR 6mm WIDE TB	100	EA	22.10	B
	CA727/10	10P PRE ASSEM SHORT LINK FOR 6mm WIDE TB	10	EA	55.20	B
	CA509/K2WHT	6 mm WIDE MARKER BLANK	1	PKT	64.40	B
	CA509/K2WP	6 mm WIDE MARKER PRINTED	1	PKT	73.50	B

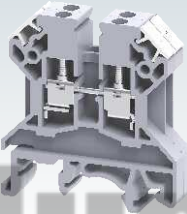
## HIGH PERFORMANCE CY SERIES SCREW CLAMP TERMINAL BLOCKS




**Wire Range** : 0.2 - 4.0 mm<sup>2</sup>  
**Current (A)** : 32 A  
**Voltage (V)** : 500 V  
**Dimensions Width (Thickness) x Length** : 6 x 27 mm  
**Height** : 28.5 mm



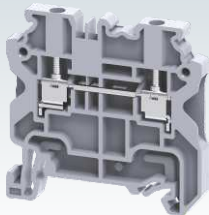
	Part #	Description	Std. Pack	UOM	List Price in	Group
TERMINAL BLOCK	CMB4	4 mm <sup>2</sup> PANEL MOUNT SCREW CLAMP TERMINAL	100	EA	9.30	B
	CMB4BU	4 mm <sup>2</sup> PANEL MOUNT SCREW CLAMP TB BLUE	100	EA	10.30	B
	CMB4BK	4 mm <sup>2</sup> PANEL MOUNT SCREW CLAMP TB BLACK	100	EA	10.30	B
	CMB4R	4 mm <sup>2</sup> PANEL MOUNT SCREW CLAMP TB RED	100	EA	10.30	B
	CMB4Y	4 mm <sup>2</sup> PANEL MOUNT SCREW CLAMP TB YELLOW	100	EA	10.30	B
	CMB4GN	4 mm <sup>2</sup> PANEL MOUNT SCREW CLAMP TB GREEN	100	EA	10.30	B
ACCESSORIES	EPCMB4	END PLATE FOR CMB4	50	EA	6.10	B
	CA727/2	2P PRE ASSEMBLED SHRT LNK FR 6mm WIDE TB	100	EA	11.10	B
	CA727/3	3P PRE ASSEMBLED SHRT LNK FR 6mm WIDE TB	100	EA	16.60	B
	CA727/4	4P PRE ASSEMBLED SHRT LNK FR 6mm WIDE TB	100	EA	2.10	B
	CA727/10	10P PRE ASSEM SHORT LINK FOR 6mm WIDE TB	10	EA	55.20	B
	CA509/K2WHT	6 mm WIDE MARKER BLANK	1	PKT	64.40	B
	CA509/K2WP	6 mm WIDE MARKER PRINTED	1	PKT	73.50	B




**Wire Range** : 0.2 - 2.5 mm<sup>2</sup>  
**Current (A)** : 10 A  
**Voltage (V)** : 1000 V  
**Dimensions Width (Thickness) x Length** : 10 x 43 mm  
**Height with Din 35 x 7.5 mm Rail** : 46.2 mm



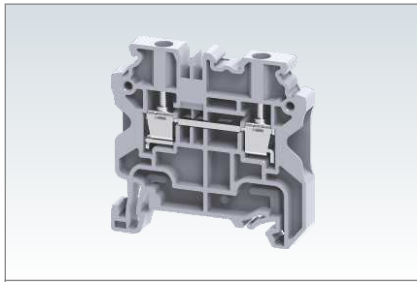
	Part #	Description	Std. Pack	UOM	List Price in	Group
TERMINAL BLOCK	CTT2.5UE	2.5 mm <sup>2</sup> E-TYPE THERMOCOUPLE TERMINAL	50	EA	85.00	B
	CTT2.5UJ	2.5 mm <sup>2</sup> J-TYPE THERMOCOUPLE TERMINAL	50	EA	85.00	B
	CTT2.5UK	2.5 mm <sup>2</sup> K-TYPE THERMOCOUPLE TERMINAL	50	EA	65.00	B
	CTT2.5UT	2.5 mm <sup>2</sup> T-TYPE THERMOCOUPLE TERMINAL	50	EA	85.00	B
ACCESSORIES	EP2.5/4UN	END PLATE FOR CTS2.5UN/4UN	50	EA	5.00	B
	PP2.5/4UN	PARTITION PLATE FOR CTS2.5UN/4UN/2.5UE	50	EA	9.90	B
	CA509/K5WHT	5 mm WIDE MARKER BLANK	1	PKT	64.40	B
	CA509/K5WP	5 mm WIDE MARKER PRINTED	1	PKT	73.50	B



**Wire Range** : 0.2 - 2.5 mm<sup>2</sup>  
**Current (A)** : 24 A  
**Voltage (V)** : 1000 V  
**Dimensions Width (Thickness) x Length** : 5 x 50 mm  
**Height with Din 35 x 7.5 mm Rail** : 49 mm



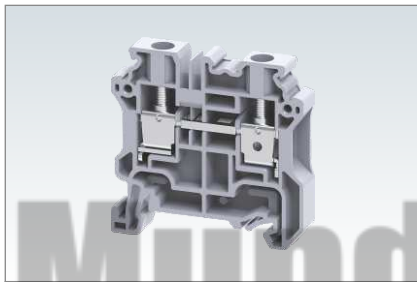
	Part #	Description	Std. Pack	UOM	List Price in	Group
TERMINAL BLOCK	CY2.5	2.5 mm <sup>2</sup> FEED THRU SCREW CLAMP TER	100	EA	9.60	A
	CY2.5BU	2.5 mm <sup>2</sup> FEED THRU SCREW CLAMP TB BLU	100	EA	10.50	A
ACCESSORIES	EPCY2.5/10	END PLATE FOR CY2.5/4/6/10 CYG2.5/4/	50	EA	6.20	A
	JX2.5/2	2 POLE SHRT LNK FR 5MM WIDE SP CL TB	100	EA	7.30	A
	JX2.5/3	3 POLE SHRT LNK FR 5MM WIDE SP CL TB	50	EA	12.70	A
	JX2.5/4	4 POLE SHRT LNK FR 5MM WIDE SP CL TB	50	EA	23.00	A
	JX2.5/10	10 POLE SHRT LNK FR 5MM WIDE SP CL TB	10	EA	59.80	A
	CA509/K5WHT	5 mm WIDE MARKER BLANK	1	PKT	64.40	B
	CA509/K5WP	CA509/K5-P PRINTED MARKERS WHT	1	PKT	73.50	B



Wire Range : 0.2 - 4.0 mm<sup>2</sup>  
 Current (A) : 32 A  
 Voltage (V) : 1000 V  
 Dimensions Width (Thickness) x Length : 6 x 50 mm  
 Height with Din 35 x 7.5 mm Rail : 49 mm



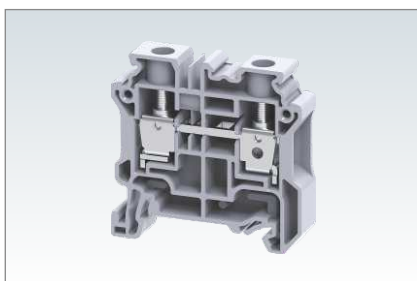
	Part #	Description	Std. Pack	UOM	List Price in	Group
TERMINAL BLOCK	CY4	4 mm <sup>2</sup> FEED THRU SCREW CLAMP TERMI	100	EA	11.50	A
	CY4BU	4 mm <sup>2</sup> FEED THRU SCREW CLAMP TB BLU	100	EA	13.20	A
ACCESSORIES	EPCY2.5/10	END PLATE FOR CY2.5/4/6/10 CYG2.5/4/	50	EA	6.20	A
	JX4/2	2 POLE SHRT LNK FR 6MM WIDE SP CL TB	100	EA	13.30	A
	JX4/3	3 POLE SHRT LNK FR 6MM WIDE SP CL TB	50	EA	23.00	A
	JX4/4	4 POLE SHRT LNK FR 6MM WIDE SP CL TB	50	EA	34.50	A
	JX4/10	10 POLE SHRT LNK FR 6MM WIDE SP CL TB	10	EA	80.50	A
	CA509/K6WHT	6 mm WIDE MARKER BLANK	1	PKT	64.40	B
	CA509/K6WP	CA509/K6-P PRINTED MARKERS WHT	1	PKT	73.50	B



Wire Range : 0.2 - 6.0 mm<sup>2</sup>  
 Current (A) : 41 A  
 Voltage (V) : 1000 V  
 Dimensions Width (Thickness) x Length : 8 x 50 mm  
 Height with Din 35 x 7.5 mm Rail : 49 mm



	Part #	Description	Std. Pack	UOM	List Price in	Group
TERMINAL BLOCK	CY6	6 mm <sup>2</sup> FEED THRU SCREW CLAMP TERMI	50	EA	14.20	A
	CY6BU	6 mm <sup>2</sup> FEED THRU SCREW CLAMP TB BLU	50	EA	15.60	A
ACCESSORIES	EPCY2.5/10	END PLATE FOR CY2.5/4/6/10 CYG2.5/4/	50	EA	6.20	A
	JY6/2	2 POLE SHRT LNK FR 8MM WIDE SW CL TB	100	EA	20.20	A
	CA509/K8WHT	8 mm WIDE MARKER BLANK	1	PKT	73.50	B
	CA509/K8WP	CA509/K8-P PRINTED MARKERS WHT	1	PKT	84.00	B

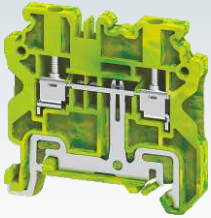


Wire Range : 0.2 - 10.0 mm<sup>2</sup>  
 Current (A) : 57 A  
 Voltage (V) : 1000 V  
 Dimensions Width (Thickness) x Length : 10 x 50 mm  
 Height with Din 35 x 7.5 mm Rail : 49 mm







	Part #	Description	Std. Pack	UOM	List Price in	Group
TERMINAL BLOCK	CY10	10 mm <sup>2</sup> FEED THRU SCREW CLAMP TERM	50	EA	18.90	A
	CY10BU	10 mm <sup>2</sup> FEED THRU SCREW CLAMP TB BLU	50	EA	20.90	A
ACCESSORIES	EPCY2.5/10	END PLATE FOR CY2.5/4/6/10 CYG2.5/4/	50	EA	6.20	A
	JY10/2	2 POLE SHRT LNK FR 10MM WIDE SW CL TB	100	EA	29.40	A
	CA509/K10WHT	10 mm WIDE MARKER BLANK	1	PKT	80.20	B
	CA509/K10WP	10 mm WIDE MARKER PRINTED	1	PKT	90.70	B


## HIGH PERFORMANCE CY SERIES SCREW CLAMP TERMINAL BLOCKS



**Wire Range** : 0.2 - 2.5 mm<sup>2</sup>  
**Dimensions Width (Thickness) x Length** : 5 x 50 mm  
**Height with Din 35 x 7.5 mm Rail** : 49 mm







	Part #	Description	Std. Pack	UOM	List Price in	Group
TERMINAL BLOCK	CYG2.5	2.5 mm <sup>2</sup> SCREW CLAMP GROUND TERMIN	100	EA	60.00	A
ACCESSORIES	EPCY2.5/10	END PLATE FOR CY2.5/4/6/10 CYG2.5/4/	50	EA	6.20	A
	JX2.5/2	2 POLE SHRT LNK FR 5MM WIDE SP CL TB	100	EA	7.30	A
	JX2.5/3	3 POLE SHRT LNK FR 5MM WIDE SP CL TB	50	EA	12.70	A
	JX2.5/4	4 POLE SHRT LNK FR 5MM WIDE SP CL TB	50	EA	23.00	A
	JX2.5/10	10 POLE SHRT LNK FR 5MM WIDE SP CL TB	10	EA	59.80	A
	CA509/K5WHT	5 mm WIDE MARKER BLANK	1	PKT	64.40	B
	CA509/K5WP	CA509/K5-P PRINTED MARKERS WHT	1	PKT	73.50	B

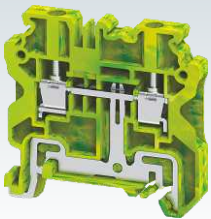


**Wire Range** : 0.2 - 4.0 mm<sup>2</sup>  
**Dimensions Width (Thickness) x Length** : 6 x 50 mm  
**Height with Din 35 x 7.5 mm Rail** : 49 mm







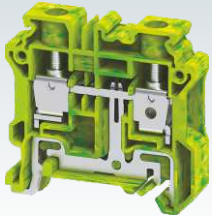
	Part #	Description	Std. Pack	UOM	List Price in	Group
TERMINAL BLOCK	CYG4	4 mm <sup>2</sup> SCREW CLAMP GROUND TERMINAL	100	EA	65.60	A
ACCESSORIES	EPCY2.5/10	END PLATE FOR CY2.5/4/6/10 CYG2.5/4/	50	EA	6.20	A
	JX4/2	2 POLE SHRT LNK FR 6MM WIDE SP CL TB	100	EA	13.30	A
	JX4/3	3 POLE SHRT LNK FR 6MM WIDE SP CL TB	50	EA	23.00	A
	JX4/4	4 POLE SHRT LNK FR 6MM WIDE SP CL TB	50	EA	34.50	A
	JX4/10	10 POLE SHRT LNK FR 6MM WIDE SP CL TB	10	EA	80.50	A
	CA509/K6WHT	6 mm WIDE MARKER BLANK	1	PKT	64.40	B
	CA509/K6WP	CA509/K6-P PRINTED MARKERS WHT	1	PKT	73.50	B




**Wire Range** : 0.2 - 6.0 mm<sup>2</sup>  
**Dimensions Width (Thickness) x Length** : 8 x 50 mm  
**Height with Din 35 x 7.5 mm Rail** : 49 mm

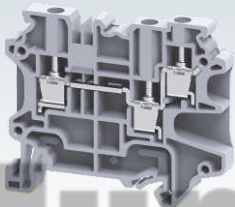
	Part #	Description	Std. Pack	UOM	List Price in	Group
TERMINAL BLOCK	CYG6	6 mm <sup>2</sup> SCREW CLAMP GROUND TERMINAL	50	EA	80.50	A
ACCESSORIES	EPCY2.5/10	END PLATE FOR CY2.5/4/6/10 CYG2.5/4/	50	EA	6.20	A
	JY6/2	2 POLE SHRT LNK FR 8MM WIDE SW CL TB	100	EA	20.20	A
	CA509/K8WHT	8 mm WIDE MARKER BLANK	1	PKT	73.50	B
	CA509/K8WP	CA509/K8-P PRINTED MARKERS WHT	1	PKT	84.00	B




Wire Range : 0.2 - 10.0 mm<sup>2</sup>  
 Dimensions Width (Thickness) x Length : 10 x 50 mm  
 Height with Din 35 x 7.5 mm Rail : 49 mm



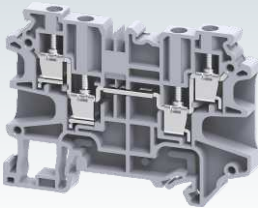
	Part #	Description	Std. Pack	UOM	List Price in	Group
TERMINAL BLOCK	CYG10	10 mm <sup>2</sup> SCREW CLAMP GROUND TERMINA	50	EA	92.00	A
ACCESSORIES	EPCY2.5/10	END PLATE FOR CY2.5/4/6/10 CYG2.5/4/	50	EA	6.20	A
	JY10/2	2 POLE SHRT LNK FR 10MM WIDE SW CL TB	100	EA	29.40	A
	CA509/K10WHT	10 mm WIDE MARKER BLANK	1	PKT	80.20	B
	CA509/K10WP	10 mm WIDE MARKER PRINTED	1	PKT	90.70	B




Wire Range : 0.2 - 4.0 mm<sup>2</sup>  
 Current (A) : 32 A  
 Voltage (V) : 1000 V  
 Dimensions Width (Thickness) x Length : 6 x 58.8 mm  
 Height with Din 35 x 7.5 mm Rail : 50.7 mm



	Part #	Description	Std. Pack	UOM	List Price in	Group
TERMINAL BLOCK	CY4/3	4 mm <sup>2</sup> FEED THRU SCREW CLAMP 3 WIRE TB	100	EA	24.80	A
ACCESSORIES	EPCY4/3	END PLATE FOR CY4/3	50	EA	11.20	A
	JX4/2	2 POLE SHRT LNK FR 6MM WIDE SP CL TB	100	EA	13.30	A
	JX4/3	3 POLE SHRT LNK FR 6MM WIDE SP CL TB	50	EA	23.00	A
	JX4/4	4 POLE SHRT LNK FR 6MM WIDE SP CL TB	50	EA	34.50	A
	JX4/10	10 POLE SHRT LNK FR 6MM WIDE SP CL TB	10	EA	80.50	A
	CA509/K6WHT	6 mm WIDE MARKER BLANK	1	PKT	64.40	B
	CA509/K6WP	CA509/K6-P PRINTED MARKERS WHT	1	PKT	73.50	B

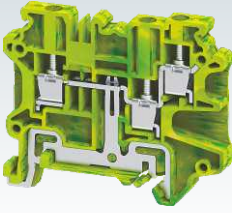


Wire Range : 0.2 - 4.0 mm<sup>2</sup>  
 Current (A) : 32 A  
 Voltage (V) : 1000 V  
 Dimensions Width (Thickness) x Length : 6 x 69.7 mm  
 Height with Din 35 x 7.5 mm Rail : 50.7 mm



	Part #	Description	Std. Pack	UOM	List Price in	Group
TERMINAL BLOCK	CY4/4	4 mm <sup>2</sup> FEED THRU SCREW CLAMP 4 WIRE TB	100	EA	34.50	A
ACCESSORIES	EPCY4/4	END PLATE FOR CY4/4	50	EA	15.70	A
	JX4/2	2 POLE SHRT LNK FR 6MM WIDE SP CL TB	100	EA	13.30	A
	JX4/3	3 POLE SHRT LNK FR 6MM WIDE SP CL TB	50	EA	23.00	A
	JX4/4	4 POLE SHRT LNK FR 6MM WIDE SP CL TB	50	EA	34.50	A
	JX4/10	10 POLE SHRT LNK FR 6MM WIDE SP CL TB	10	EA	80.50	A
	CA509/K6WHT	6 mm WIDE MARKER BLANK	1	PKT	64.40	B
	CA509/K6WP	CA509/K6-P PRINTED MARKERS WHT	1	PKT	73.50	B

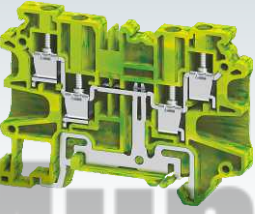
## HIGH PERFORMANCE CY SERIES SCREW CLAMP TERMINAL BLOCKS



Wire Range : 0.2 - 4.0 mm<sup>2</sup>  
 Dimensions Width (Thickness) x Length : 6 x 58.8 mm  
 Height with Din 35 x 7.5 mm Rail : 50.7 mm

**CE**

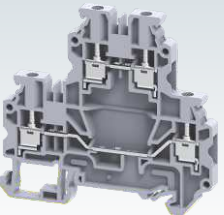
	Part #	Description	Std. Pack	UOM	List Price in	Group
TERMINAL BLOCK	CYG4/3	4 mm <sup>2</sup> FEED THRU SP CL 3 WIRE GROUND TB	100	EA	93.50	A
ACCESSORIES	EPCY4/3	END PLATE FOR CY4/3	50	EA	11.20	A
	JX4/2	2 POLE SHRT LNK FR 6MM WIDE SP CL TB	100	EA	13.30	A
	JX4/3	3 POLE SHRT LNK FR 6MM WIDE SP CL TB	50	EA	23.00	A
	JX4/4	4 POLE SHRT LNK FR 6MM WIDE SP CL TB	50	EA	34.50	A
	JX4/10	10 POLE SHRT LNK FR 6MM WIDE SP CL TB	10	EA	80.50	A
	CA509/K6WHT	6 mm WIDE MARKER BLANK	1	PKT	64.40	B
CA509/K6WP	CA509/K6-P PRINTED MARKERS WHT	1	PKT	73.50	B	



Wire Range : 0.2 - 4.0 mm<sup>2</sup>  
 Dimensions Width (Thickness) x Length : 6 x 69.7 mm  
 Height with Din 35 x 7.5 mm Rail : 50.7 mm

**CE**

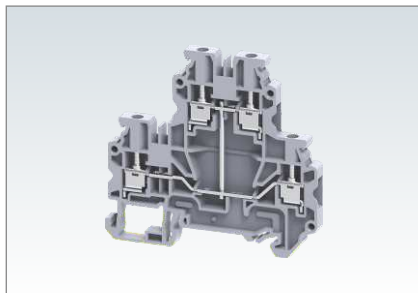
	Part #	Description	Std. Pack	UOM	List Price in	Group
TERMINAL BLOCK	CYG4/4	4 mm <sup>2</sup> FEED THRU SP CL 4 WIRE GROUND TB	100	EA	99.00	A
ACCESSORIES	EPCY4/4	END PLATE FOR CY4/4	50	EA	15.70	A
	JX4/2	2 POLE SHRT LNK FR 6MM WIDE SP CL TB	100	EA	13.30	A
	JX4/3	3 POLE SHRT LNK FR 6MM WIDE SP CL TB	50	EA	23.00	A
	JX4/4	4 POLE SHRT LNK FR 6MM WIDE SP CL TB	50	EA	34.50	A
	JX4/10	10 POLE SHRT LNK FR 6MM WIDE SP CL TB	10	EA	80.50	A
	CA509/K6WHT	6 mm WIDE MARKER BLANK	1	PKT	64.40	B
CA509/K6WP	CA509/K6-P PRINTED MARKERS WHT	1	PKT	73.50	B	



Wire Range : 0.2 - 2.5 mm<sup>2</sup>  
 Current (A) : 24 A  
 Voltage (V) : 500 V  
 Dimensions Width (Thickness) x Length : 5 x 70.5 mm  
 Height with Din 35 x 7.5 mm Rail : 65.9 mm

**CE**

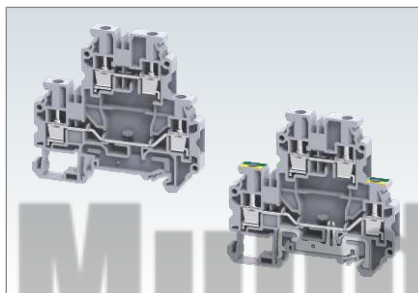
	Part #	Description	Std. Pack	UOM	List Price in	Group
TERMINAL BLOCK	CYDL2.5	2.5mm <sup>2</sup> 2 LEVEL FD THRU SCREW CLMP TB	50	EA	29.70	A
	CYDLG2.5	2.5mm <sup>2</sup> 2 LEVEL FD THRU SCRW CLMP GND TB	50	EA	99.00	A
	CYDLG2.5(I.S)	2.5mm <sup>2</sup> 2 LEVEL SW CL INT SHRT TB	50	EA	128.70	A
ACCESSORIES	EPCYDL2.5/4	END PLATE FOR CYDL2.5 & CYDL4	50	EA	10.40	A
	PPCYDL2.5/4	PARTITION PLATE FOR CYDL2.5 CYDL4	50	EA	13.80	A
	JX2.5/2	2 POLE SHRT LNK FR 5MM WIDE SP CL TB	100	EA	7.30	A
	JX2.5/3	3 POLE SHRT LNK FR 5MM WIDE SP CL TB	50	EA	12.70	A
	JX2.5/4	4 POLE SHRT LNK FR 5MM WIDE SP CL TB	50	EA	23.00	A
	JX2.5/10	10 POLE SHRT LNK FR 5MM WIDE SP CL TB	10	EA	59.80	A
	CA509/K5WHT	5 mm WIDE MARKER BLANK	1	PKT	64.40	B
CA509/K5WP	CA509/K5-P PRINTED MARKERS WHT	1	PKT	73.50	B	



Wire Range : 0.2 - 2.5 mm<sup>2</sup>  
 Current (A) : 24 A  
 Voltage (V) : 500 V  
 Dimensions Width (Thickness) x Length : 5 x 70.5 mm  
 Height with Din 35 x 7.5 mm Rail : 65.9 mm



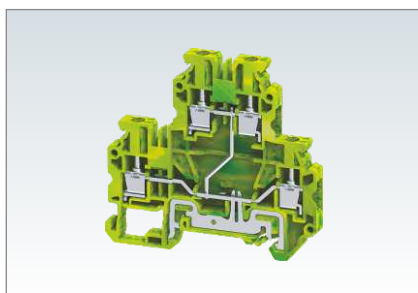
	Part #	Description	Std. Pack	UOM	List Price in	Group
TERMINAL BLOCK	CYDL2.5(I.S)	2.5mm <sup>2</sup> 2 LEVEL FD THRU SW CL INT SHRT TB	50	EA	44.00	A
ACCESSORIES	EPCYDL2.5/4	END PLATE FOR CYDL2.5 & CYDL4	50	EA	10.40	A
	PPCYDL2.5/4	PARTITION PLATE FOR CYDL2.5 CYDL4	50	EA	13.80	A
	JX2.5/2	2 POLE SHRT LNK FR 5MM WIDE SP CL TB	100	EA	7.30	A
	JX2.5/3	3 POLE SHRT LNK FR 5MM WIDE SP CL TB	50	EA	12.70	A
	JX2.5/4	4 POLE SHRT LNK FR 5MM WIDE SP CL TB	50	EA	23.00	A
	JX2.5/10	10 POLE SHRT LNK FR 5MM WIDE SP CL TB	10	EA	59.80	A
	CA509/K5WHT	6 mm WIDE MARKER BLANK	1	PKT	64.40	B
CA509/K5WP	CA509/K6-P PRINTED MARKERS WHT	1	PKT	73.50	B	



Wire Range : 0.2 - 4.0 mm<sup>2</sup>  
 Current (A) : 32 A  
 Voltage (V) : 800 V  
 Dimensions Width (Thickness) x Length : 6 x 70.5 mm  
 Height with Din 35 x 7.5 mm Rail : 65.9 mm



	Part #	Description	Std. Pack	UOM	List Price in	Group
TERMINAL BLOCK	CYDL4	4mm <sup>2</sup> 2 LEVEL FD THRU SCREW CLMP TB	50	EA	29.50	A
	CYDL4(I.S)	4mm <sup>2</sup> 2 LEVEL FD THRU SW CL INT SHRT TB	50	EA	44.10	A
	CYDLG4	4mm <sup>2</sup> 2 LEVEL FD THRU SCRW CLMP GND TB	50	EA	96.60	A
ACCESSORIES	EPCYDL2.5/4	END PLATE FOR CYDL2.5 & CYDL4	50	EA	10.40	A
	JX4/2	2 POLE SHRT LNK FR 6MM WIDE SP CL TB	100	EA	13.30	A
	JX4/3	3 POLE SHRT LNK FR 6MM WIDE SP CL TB	50	EA	23.00	A
	JX4/4	4 POLE SHRT LNK FR 6MM WIDE SP CL TB	50	EA	34.50	A
	JX4/10	10 POLE SHRT LNK FR 6MM WIDE SP CL TB	10	EA	80.50	A
	CA509/K6WHT	6 mm WIDE MARKER BLANK	1	PKT	64.40	B
	CA509/K6WP	CA509/K6-P PRINTED MARKERS WHT	1	PKT	73.50	B

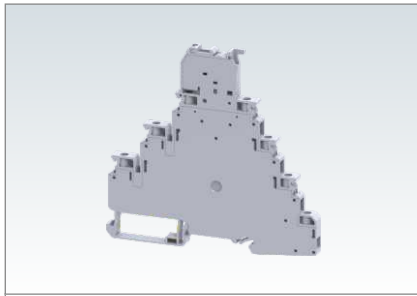


Wire Range : 0.2 - 4.0 mm<sup>2</sup>  
 Current (A) :  
 Voltage (V) :  
 Dimensions Width (Thickness) x Length : 6 x 70.5 mm  
 Height with Din 35 x 7.5 mm Rail : 65.9 mm



	Part #	Description	Std. Pack	UOM	List Price in	Group
TERMINAL BLOCK	CYDLG4(I.S)	4mm <sup>2</sup> 2 LEVEL SCRW CLMP GND TB	50	EA	105.00	A
ACCESSORIES	EPCYDL2.5/4	END PLATE FOR CYDL2.5 & CYDL4	50	EA	10.40	A
	PPCYDL2.5/4	PARTITION PLATE FOR CYDL2.5 CYDL4	50	EA	13.80	A
	JX4/2	2 POLE SHRT LNK FR 6MM WIDE SP CL TB	100	EA	13.30	A
	JX4/3	3 POLE SHRT LNK FR 6MM WIDE SP CL TB	50	EA	23.00	A
	JX4/4	4 POLE SHRT LNK FR 6MM WIDE SP CL TB	50	EA	34.50	A
	JX4/10	10 POLE SHRT LNK FR 6MM WIDE SP CL TB	10	EA	80.50	A
	CA509/K6WHT	6 mm WIDE MARKER BLANK	1	PKT	64.40	B
CA509/K6WP	CA509/K6-P PRINTED MARKERS WHT	1	PKT	73.50	B	

## HIGH PERFORMANCE CY SERIES SCREW CLAMP TERMINAL BLOCKS



Wire Range : 0.2 - 2.5 mm<sup>2</sup>  
 Current (A) : 10 A  
 Voltage (V) : 250 V  
 Dimensions Width (Thickness) x Length : 6 x 99.2 mm  
 Height with Din 35 x 7.5 mm Rail : 107.5 mm



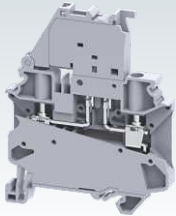
	Part #	Description	Std. Pack	UOM	List Price in	Group
TERMINAL BLOCK	CYTLF2.5	2.5MM <sup>2</sup> 3 LEVEL FD THRU SCRW CLMP FUSE TB	50	EA	151.00	A
	CYTLF2.5L6-60V	2.5MM <sup>2</sup> 3 LVL SC CL FUSE TB LED 6-60V	50	EA	166.00	A
	CYTLF2.5L110-240V	2.5MM <sup>2</sup> 3 LVL SC CL FUSE TB LED 110-240V	50	EA	166.00	A
ACCESSORIES	JX4/2	2 POLE SHRT LNK FR 6MM WIDE SP CL TB	100	EA	13.30	A
	JX4/3	3 POLE SHRT LNK FR 6MM WIDE SP CL TB	50	EA	23.00	A
	JX4/4	4 POLE SHRT LNK FR 6MM WIDE SP CL TB	50	EA	34.50	A
	CA509/K6WHT	6 mm WIDE MARKER BLANK	1	PKT	64.40	B
	CA509/K6WP	CA509/K6-P PRINTED MARKERS WHT	1	PKT	73.50	B




Wire Range : 0.2 - 2.5 mm<sup>2</sup>  
 Current (A) : 10 A  
 Voltage (V) : 250 V  
 Dimensions Width (Thickness) x Length : 6 x 99.2 mm  
 Height with Din 35 x 7.5 mm Rail : 107.5 mm



	Part #	Description	Std. Pack	UOM	List Price in	Group
TERMINAL BLOCK	CYTLGF2.5	2.5MM <sup>2</sup> 3 LEVEL SCRW CLMP FUSE GND TB	50	EA	185.00	A
	CYTLGF2.5L6-60V	2.5MM <sup>2</sup> 3 LVL SC CL FUSE GND TB LED 6-60V	50	EA	200.00	A
	CYTLGF2.5L110-240V	2.5MM <sup>2</sup> 3 LVL SC FUSE GND TB LED 110-240V	50	EA	200.00	A
ACCESSORIES	JX4/2	2 POLE SHRT LNK FR 6MM WIDE SP CL TB	100	EA	13.30	A
	JX4/3	3 POLE SHRT LNK FR 6MM WIDE SP CL TB	50	EA	23.00	A
	JX4/4	4 POLE SHRT LNK FR 6MM WIDE SP CL TB	50	EA	34.50	A
	CA509/K6WHT	6 mm WIDE MARKER BLANK	1	PKT	64.40	B
	CA509/K6WP	CA509/K6-P PRINTED MARKERS WHT	1	PKT	73.50	B



Wire Range : 0.2 - 4.0 mm<sup>2</sup>  
 Current (A) : 10 A  
 Voltage (V) : 1000 V  
 Dimensions Width (Thickness) x Length : 6 x 58.8 mm  
 Height with Din 35 x 7.5 mm Rail : 72.4 mm



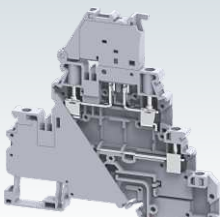
	Part #	Description	Std. Pack	UOM	List Price in	Group
TERMINAL BLOCK	CYF4	4mm <sup>2</sup> Ø5X20mm FUSE 6mm WIDE TERMNAL BLOCK	50	EA	52.50	A
	CYF4BU	4mm <sup>2</sup> Ø5X20mm FUSE 6mm WIDE TB BLUE	50	EA	57.20	A
ACCESSORIES	JX4/2	2 POLE SHRT LNK FR 6MM WIDE SP CL TB	100	EA	13.30	A
	JX4/3	3 POLE SHRT LNK FR 6MM WIDE SP CL TB	50	EA	23.00	A
	JX4/4	4 POLE SHRT LNK FR 6MM WIDE SP CL TB	50	EA	34.50	A
	JX4/10	10 POLE SHRT LNK FR 6MM WIDE SP CL TB	10	EA	80.50	A
	CA509/K6WHT	6 mm WIDE MARKER BLANK	1	PKT	64.40	B
	CA509/K6WP	CA509/K6-P PRINTED MARKERS WHT	1	PKT	73.50	B




Wire Range : 0.2 - 4.0 mm<sup>2</sup>  
 Current (A) : 10 A / 32 A  
 Voltage (V) : 1000 V  
 Dimensions Width (Thickness) x Length : 6 x 58.8 mm  
 Height with Din 35 x 7.5 mm Rail : 72.4 mm



	Part #	Description	Std. Pack	UOM	List Price in	Group
TERMINAL BLOCK	CYF4L6-60V	4mm <sup>2</sup> Ø5X20mm FUSE SC CL TB LED 6-60V	50	EA	70.20	A
	CYF4L110-240V	4mm <sup>2</sup> Ø5X20mm FUSE SC CL TB LED 110-240V	50	EA	70.20	A
ACCESSORIES	JX4/2	2 POLE SHRT LNK FR 6MM WIDE SP CL TB	100	EA	13.30	A
	JX4/3	3 POLE SHRT LNK FR 6MM WIDE SP CL TB	50	EA	23.00	A
	JX4/4	4 POLE SHRT LNK FR 6MM WIDE SP CL TB	50	EA	34.50	A
	JX4/10	10 POLE SHRT LNK FR 6MM WIDE SP CL TB	10	EA	80.50	A
	CA509/K6WHT	6 mm WIDE MARKER BLANK	1	PKT	64.40	B
	CA509/K6WP	CA509/K6-P PRINTED MARKERS WHT	1	PKT	73.50	B

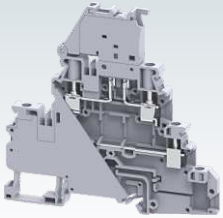


Wire Range : 0.2 - 4.0 mm<sup>2</sup>  
 Current (A) : 10 A / 32 A  
 Voltage (V) : 500 V  
 Dimensions Width (Thickness) x Length : 6 x 94.5 mm  
 Height with Din 35 x 7.5 mm Rail : 90.9 mm




	Part #	Description	Std. Pack	UOM	List Price in	Group
TERMINAL BLOCK	CYDLF4	4mm <sup>2</sup> 2 LEVEL Ø5X20mm SCREW CL FUSE	50	EA	120.80	A
ACCESSORIES	JX4/2	2 POLE SHRT LNK FR 6MM WIDE SP CL TB	100	EA	13.30	A
	JX4/3	3 POLE SHRT LNK FR 6MM WIDE SP CL TB	50	EA	23.00	A
	JX4/4	4 POLE SHRT LNK FR 6MM WIDE SP CL TB	50	EA	34.50	A
	JX4/10	10 POLE SHRT LNK FR 6MM WIDE SP CL TB	10	EA	80.50	A
	CA509/K6WHT	6 mm WIDE MARKER BLANK	1	PKT	64.40	B
	CA509/K6WP	CA509/K6-P PRINTED MARKERS WHT	1	PKT	73.50	B

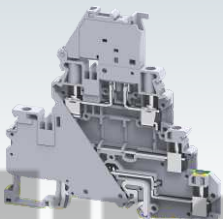
## HIGH PERFORMANCE CY SERIES SCREW CLAMP TERMINAL BLOCKS




Wire Range : 0.2 - 4.0 mm<sup>2</sup>  
 Current (A) : 10 A  
 Voltage (V) : 500 V  
 Dimensions Width (Thickness) x Length : 6 x 94.5 mm  
 Height with Din 35 x 7.5 mm Rail : 90.9 mm



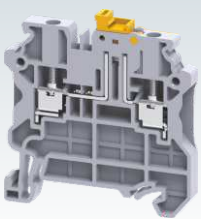
	Part #	Description	Std. Pack	UOM	List Price in	Group
TERMINAL BLOCK	CYDLF4L6-60V	4mm <sup>2</sup> Ø5X20mm FUSE SC CL TB LED 6-60V	50	EA	138.00	A
	CYDLF4L110-240V	4mm <sup>2</sup> Ø5X20mm FUSE SC CL TB LED 110-240V	50	EA	138.00	A
ACCESSORIES	JX4/2	2 POLE SHRT LNK FR 6MM WIDE SP CL TB	100	EA	13.30	A
	JX4/3	3 POLE SHRT LNK FR 6MM WIDE SP CL TB	50	EA	23.00	A
	JX4/4	4 POLE SHRT LNK FR 6MM WIDE SP CL TB	50	EA	34.50	A
	JX4/10	10 POLE SHRT LNK FR 6MM WIDE SP CL TB	10	EA	80.50	A
	CA509/K6WHT	6 mm WIDE MARKER BLANK	1	PKT	64.40	B
	CA509/K6WP	CA509/K6-P PRINTED MARKERS WHT	1	PKT	73.50	B




Wire Range : 0.2 - 4.0 mm<sup>2</sup>  
 Current (A) : 10 A / 32 A  
 Voltage (V) : 500 V  
 Dimensions Width (Thickness) x Length : 6 x 94.5 mm  
 Height with Din 35 x 7.5 mm Rail : 90.9 mm



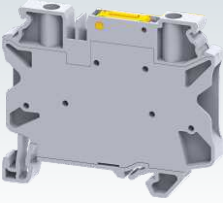
	Part #	Description	Std. Pack	UOM	List Price in	Group
TERMINAL BLOCK	CYDLGF4	4mm <sup>2</sup> 2 LEVEL Ø5X20mm FUSE+ GND SW CL	50	EA	154.00	A
ACCESSORIES	JX4/2	2 POLE SHRT LNK FR 6MM WIDE SP CL TB	100	EA	13.30	A
	JX4/3	3 POLE SHRT LNK FR 6MM WIDE SP CL TB	50	EA	23.00	A
	JX4/4	4 POLE SHRT LNK FR 6MM WIDE SP CL TB	50	EA	34.50	A
	JX4/10	10 POLE SHRT LNK FR 6MM WIDE SP CL TB	10	EA	80.50	A
	CA509/K6WHT	6 mm WIDE MARKER BLANK	1	PKT	64.40	B
	CA509/K6WP	CA509/K6-P PRINTED MARKERS WHT	1	PKT	73.50	B





Wire Range : 0.2 - 2.5 mm<sup>2</sup>  
 Current (A) : 20 A  
 Voltage (V) : 500 V  
 Dimensions Width (Thickness) x Length : 6 x 50 mm  
 Height with Din 35 x 7.5 mm Rail : 53.15 mm



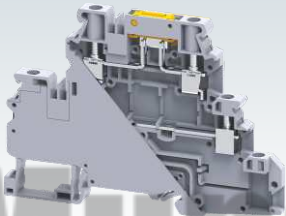
	Part #	Description	Std. Pack	UOM	List Price in	Group
TERMINAL BLOCK	CYK2.5	2.5 mm <sup>2</sup> 2 WIRE KNIFE DISCON SCREW CL TB	50	EA	35.20	A
	CYK2.5BU	2.5 mm <sup>2</sup> 2 WIRE KNIFE DISCON SCREW CL TB BLUE	50	EA	38.80	A
ACCESSORIES	JX2.5/10	6 mm WIDE MARKER BLANK	10	PKT	59.80	A
	CA509/K5WHT	CA509/K6-P PRINTED MARKERS WHT	1	PKT	64.40	B
	CA509/K5WP	CA509/K5-P PRINTED MARKERS WHT	1	PKT	73.5	B





Wire Range : 0.2 - 4.0 mm<sup>2</sup>  
 Current (A) : 28 A  
 Voltage (V) : 1000 V  
 Dimensions Width (Thickness) x Length : 6 x 58.8 mm  
 Height with Din 35 x 7.5 mm Rail : 51.5 mm

CE  

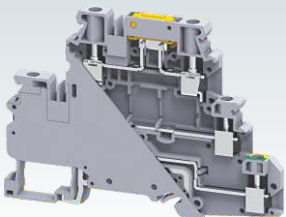
	Part #	Description	Std. Pack	UOM	List Price in	Group
TERMINAL BLOCK	CYK4	4 mm <sup>2</sup> 2 WIRE KNIFE DISCON SCREW CL TB	50	EA	46.20	A
	CYK4BU	4 mm <sup>2</sup> 2 WIRE KNIFE DISCON SCREW CL TB BLUE	50	EA	50.90	A
ACCESSORIES	JX4/2	2 POLE SHRT LNK FR 6MM WIDE SP CL TB	100	EA	13.30	A
	JX4/3	3 POLE SHRT LNK FR 6MM WIDE SP CL TB	50	EA	23.00	A
	JX4/4	4 POLE SHRT LNK FR 6MM WIDE SP CL TB	50	EA	34.50	A
	JX4/10	10 POLE SHRT LNK FR 6MM WIDE SP CL TB	10	EA	80.50	A
	CA509/K6WHT	6 mm WIDE MARKER BLANK	1	PKT	64.40	B
	CA509/K6WP	CA509/K6-P PRINTED MARKERS WHT	1	PKT	73.50	B






Wire Range : 0.2 - 4.0 mm<sup>2</sup>  
 Current (A) : 20 A / 32 A  
 Voltage (V) : 630 V  
 Dimensions Width (Thickness) x Length : 6 x 94.5 mm  
 Height with Din 35 x 7.5 mm Rail : 67.6 mm

IECEE  

	Part #	Description	Std. Pack	UOM	List Price in	Group
TERMINAL BLOCK	CYDLK4	4mm <sup>2</sup> 2 LEVEL KNIFE DISCON SCREW CL TB	50	EA	115.50	A
	CYDLK4BU	4mm <sup>2</sup> 2 LEVEL KNIFE DISCON SCREW CL TB BLU	50	EA	127.60	A
ACCESSORIES	JX4/2	2 POLE SHRT LNK FR 6MM WIDE SP CL TB	100	EA	13.30	A
	JX4/3	3 POLE SHRT LNK FR 6MM WIDE SP CL TB	50	EA	23.00	A
	JX4/4	4 POLE SHRT LNK FR 6MM WIDE SP CL TB	50	EA	34.50	A
	JX4/10	10 POLE SHRT LNK FR 6MM WIDE SP CL TB	10	EA	80.50	A
	CA509/K6WHT	6 mm WIDE MARKER BLANK	1	PKT	64.40	B
	CA509/K6WP	CA509/K6-P PRINTED MARKERS WHT	1	PKT	73.50	B

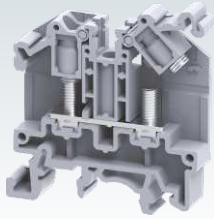


Wire Range : 0.2 - 4.0 mm<sup>2</sup>  
 Current (A) : 20 A  
 Voltage (V) : 630 V  
 Dimensions Width (Thickness) x Length : 6 x 94.5 mm  
 Height with Din 35 x 7.5 mm Rail : 67.6 mm

IECEE   

	Part #	Description	Std. Pack	UOM	List Price in	Group
TERMINAL BLOCK	CYDLGK4	4mm <sup>2</sup> 2 LEVEL KNIFE DISCON+GND SW CL	50	EA	148.50	A
ACCESSORIES	JX4/2	2 POLE SHRT LNK FR 6MM WIDE SP CL TB	100	EA	13.30	A
	JX4/3	3 POLE SHRT LNK FR 6MM WIDE SP CL TB	50	EA	23.00	A
	JX4/4	4 POLE SHRT LNK FR 6MM WIDE SP CL TB	50	EA	34.50	A
	JX4/10	10 POLE SHRT LNK FR 6MM WIDE SP CL TB	10	EA	80.50	A
	CA509/K6WHT	6 mm WIDE MARKER BLANK	1	PKT	64.40	B
	CA509/K6WP	CA509/K6-P PRINTED MARKERS WHT	1	PKT	73.50	B

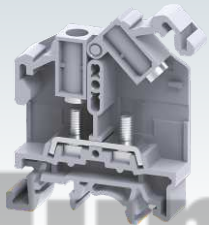
## STUD & BOLT TYPE TERMINAL BLOCKS



Wire Range : 1.5 - 6.0 mm<sup>2</sup>  
 Current (A) : 41 A  
 Voltage (V) : 1000 V  
 Dimensions Width (Thickness) x Length : 9 x 47 mm  
 Height with Din 35 x 7.5 mm Rail : 47.25 mm



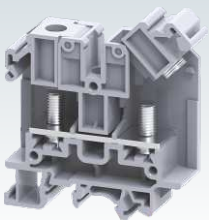
	Part #	Description	Std. Pack	UOM	List Price in	Group
TERMINAL BLOCK	STH3	6 mm <sup>2</sup> M3 CAPTIVE NUT STUD TYPE TERMINAL	100	EA	33.00	B
	STH3BU	6 mm <sup>2</sup> M3 CAPTIVE NUT STUD TYPE TB BLUE	100	EA	36.30	B
	STH3BK	6 mm <sup>2</sup> M3 CAPTIVE NUT STUD TYPE TB BLACK	100	EA	36.30	B
	STH3R	6 mm <sup>2</sup> M3 CAPTIVE NUT STUD TYPE TB RED	100	EA	36.30	B
	STH3Y	6 mm <sup>2</sup> M3 CAPTIVE NUT STUD TYPE TB YELLOW	100	EA	36.30	B
	STH3GN	6 mm <sup>2</sup> M3 SCREW BARRIER TYPE TERMINAL GREEN	100	EA	36.30	B
ACCESSORIES	EPSTH3	END PLATE FOR STH3	50	EA	7.90	B
	CA773/2	2P PRE ASSEM SHRT LINK FOR 9mm WIDE TB	100	EA	13.80	B
	CA773/3	3P PRE ASSEM SHRT LINK FOR 9mm WIDE TB	50	EA	20.70	B
	CA773/4	4P PRE ASSEM SHRT LINK FOR 9mm WIDE TB	50	EA	27.60	B
	CA773/10	10P PRE ASSEM SHRT LINK FOR 9mm WIDE TB	10	EA	69.00	B
	CA509/K8WHT	8 mm WIDE MARKER BLANK	1	PKT	73.50	B
	CA509/K8WP	8 mm WIDE MARKER PRINTED	1	PKT	84.00	B



Wire Range : 1.5 - 6.0 mm<sup>2</sup>  
 Current (A) : 41 A  
 Voltage (V) : 1000 V  
 Dimensions Width (Thickness) x Length : 11 x 46 mm  
 Height with Din 35 x 7.5 mm Rail : 52.2 mm



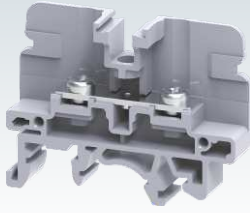
	Part #	Description	Std. Pack	UOM	List Price in	Group
TERMINAL BLOCK	STH4	6 mm <sup>2</sup> M4 CAPTIVE NUT STUD TYPE TERMINAL	50	EA	40.00	B
	STH4BU	6 mm <sup>2</sup> M4 CAPTIVE NUT STUD TYPE TB BLUE	50	EA	44.00	B
	STH4BK	6 mm <sup>2</sup> M4 CAPTIVE NUT STUD TYPE TB BLACK	50	EA	44.00	B
	STH4R	6 mm <sup>2</sup> M4 CAPTIVE NUT STUD TYPE TB RED	50	EA	44.00	B
	STH4Y	6 mm <sup>2</sup> M4 CAPTIVE NUT STUD TYPE TB YELLOW	50	EA	44.00	B
	STH4GN	6 mm <sup>2</sup> M4 SCREW BARRIER TYPE TERMINAL GREEN	50	EA	44.00	B
	STH4TP	6 mm <sup>2</sup> M4 SOCKET NUT STUD TYPE TB	50	EA	44.30	B
ACCESSORIES	EPSTH4	END PLATE FOR STH4	50	EA	8.30	B
	CA509/K10WHT	10 mm WIDE MARKER BLANK	1	PKT	80.20	B
	CA509/K10WP	10 mm WIDE MARKER PRINTED	1	PKT	90.70	B












Wire Range : 1.5 - 35.0 mm<sup>2</sup>  
 Current (A) : 125 A  
 Voltage (V) : 1000 V  
 Dimensions Width (Thickness) x Length : 18 x 63.5 mm  
 Height with Din 35 x 7.5 mm Rail : 63.1 mm



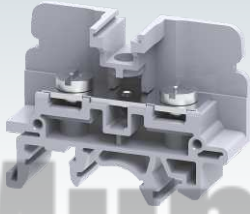
	Part #	Description	Std. Pack	UOM	List Price in	Group
TERMINAL BLOCK	STH6	35 mm <sup>2</sup> M6 CAPTIVE NUT STUD TYPE TB	50	EA	81.60	B
	STH6BU	35 mm <sup>2</sup> M6 CAPTIVE NUT STUD TYPE TB BLU	50	EA	89.80	B
	STH6BK	35 mm <sup>2</sup> M6 CAPTIVE NUT STUD TYPE TB BLK	50	EA	89.80	B
	STH6R	35 mm <sup>2</sup> M6 CAPTIVE NUT STUD TYPE TB RED	50	EA	89.80	B
	STH6Y	35 mm <sup>2</sup> M6 CAPTIVE NUT STUD TYPE TB YLW	50	EA	89.80	B
	STH6GN	35 mm <sup>2</sup> M6 CAPTIVE NUT STUD TYPE TB GRN	50	EA	89.80	B
ACCESSORIES	EPSTH6	END PLATE FOR STH6	50	EA	11.20	B
	CA774/2	2P PRE ASSEM SHRT LINK FOR 18mm WIDE TB	100	EA	20.70	B
	CA774/3	3P PRE ASSEM SHRT LINK FOR 18mm WIDE TB	50	EA	31.10	B
	CA774/4	4P PRE ASSEM SHRT LINK FOR 18mm WIDE TB	50	EA	41.40	B
	CA509/K16WHT	16 mm WIDE MARKER BLANK	1	PKT	94.50	B
	CA509/K16WP	16 mm WIDE MARKER PRINTED	1	PKT	106.40	B












Wire Range : 0.5 - 6.0 mm<sup>2</sup>  
 Current (A) : 41 A  
 Voltage (V) : 1100 V  
 Dimensions Width (Thickness) x Length : 9 x 49 mm  
 Height with Din 35 x 7.5 mm Rail : 38 mm

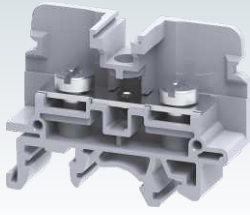
	Part #	Description	Std. Pack	UOM	List Price in	Group
TERMINAL BLOCK	CBS3U	6 mm <sup>2</sup> M3 SCREW BARRIER TYPE TERMINAL	100	EA	20.20	B
	CBS3UBU	6 mm <sup>2</sup> M3 SCREW BARRIER TYPE TERMINAL BLU	100	EA	22.20	B
	CBS3UBK	6 mm <sup>2</sup> M3 SCREW BARRIER TYPE TERMINAL BLK	100	EA	22.20	B
	CBS3UR	6 mm <sup>2</sup> M3 SCREW BARRIER TYPE TERMINAL RED	100	EA	22.20	B
	CBS3UY	6 mm <sup>2</sup> M3 SCREW BARRIER TYPE TERMINAL YLW	100	EA	22.20	B
	CBS3UGN	6 mm <sup>2</sup> M3 SCREW BARRIER TYPE TERMINAL GRN	100	EA	22.20	B
ACCESSORIES	EPCBS3U	END PLATE FOR CBS & CSB SERIES TB	50	EA	7.90	B
	CA728/2	2P PRE ASSEM SHRT LINK FOR 9mm WIDE TB	50	EA	12.50	B
	CA728/3	3P PRE ASSEM SHRT LINK FOR 9mm WIDE TB	50	EA	18.70	B
	CA728/4	4P PRE ASSEM SHRT LINK FOR 9mm WIDE TB	50	EA	24.90	B
	CA728/10	10P PRE ASSEM SHRT LINK FOR 9mm WIDE TB	10	EA	62.10	B
	CA509/K9WHT	9 mm WIDE MARKER BLANK	1	PKT	73.50	B
	CA509/K9WP	9 mm WIDE MARKER PRINTED	1	PKT	84.00	B












Wire Range : 1.5 - 10.0 mm<sup>2</sup>  
 Current (A) : 57 A  
 Voltage (V) : 1100 V  
 Dimensions Width (Thickness) x Length : 13 x 49 mm  
 Height with Din 35 x 7.5 mm Rail : 38 mm

	Part #	Description	Std. Pack	UOM	List Price in	Group
TERMINAL BLOCK	CBS4U	10 mm <sup>2</sup> M4 SCREW BARRIER TYPE TERMINAL	100	EA	22.40	B
	CBS4UBU	10 mm <sup>2</sup> M4 SCREW BARRIER TYPE TB BLUE	100	EA	24.70	B
	CBS4UBK	10 mm <sup>2</sup> M4 SCREW BARRIER TYPE TB BLACK	100	EA	24.70	B
	CBS4UR	10 mm <sup>2</sup> M4 SCREW BARRIER TYPE TB RED	100	EA	24.70	B
	CBS4UY	10 mm <sup>2</sup> M4 SCREW BARRIER TYPE TB YELLOW	100	EA	24.70	B
	CBS4UGN	10 mm <sup>2</sup> M4 SCREW BARRIER TYPE TB GREEN	100	EA	24.70	B
ACCESSORIES	EPCBS3U	END PLATE FOR CBS & CSB SERIES TB	50	EA	7.90	B
	CA772/2	2P PRE ASSEM SHRT LINK FOR 13mm WIDE TB	100	EA	15.90	B
	CA772/3	3P PRE ASSEM SHRT LINK FOR 13mm WIDE TB	50	EA	23.90	B
	CA772/4	4P PRE ASSEM SHRT LINK FOR 13mm WIDE TB	50	EA	31.80	B
	CA772/10	10P PRE ASSEM SHRT LINK FOR 13mm WIDE TB	10	EA	79.40	B
	CA509/K9WHT	9 mm WIDE MARKER BLANK	1	PKT	73.50	B
	CA509/K9WP	9 mm WIDE MARKER PRINTED	1	PKT	84.00	B

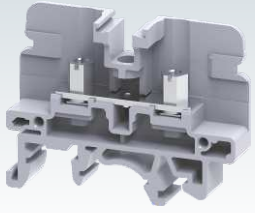


Wire Range : 1.5 - 16.0 mm<sup>2</sup>  
 Current (A) : 76 A  
 Voltage (V) : 1100 V  
 Dimensions Width (Thickness) x Length : 13 x 49 mm  
 Height with Din 35 x 7.5 mm Rail : 38 mm




















	Part #	Description	Std. Pack	UOM	List Price in	Group
TERMINAL BLOCK	CBS5U	16 mm <sup>2</sup> M4 SCREW BARRIER TYPE TERMINAL	100	EA	28.00	B
	CBS5UBU	16 mm <sup>2</sup> M4 SCREW BARRIER TYPE TB BLUE	100	EA	30.80	B
	CBS5UBK	16 mm <sup>2</sup> M4 SCREW BARRIER TYPE TB BLACK	100	EA	30.80	B
	CBS5UR	16 mm <sup>2</sup> M4 SCREW BARRIER TYPE TB RED	100	EA	30.80	B
	CBS5UY	16 mm <sup>2</sup> M4 SCREW BARRIER TYPE TB YELLOW	100	EA	30.80	B
	CBS5UGN	16 mm <sup>2</sup> M4 SCREW BARRIER TYPE TB GREEN	100	EA	30.80	B
ACCESSORIES	EPCBS3U	END LATE FOR CBS & CSB SERIES TB	50	EA	7.90	B
	CA772/2	2P PRE ASSEM SHRT LINK FOR 13mm WIDE TB	100	EA	15.90	B
	CA772/3	3P PRE ASSEM SHRT LINK FOR 13mm WIDE TB	50	EA	23.90	B
	CA772/4	4P PRE ASSEM SHRT LINK FOR 13mm WIDE TB	50	EA	31.80	B
	CA772/10	10P PRE ASSEM SHRT LINK FOR 13mm WIDE TB	10	EA	79.40	B
	CA509/K9WHT	9 mm WIDE MARKER BLANK	1	PKT	73.50	B
	CA509/K9WP	9 mm WIDE MARKER PRINTED	1	PKT	84.00	B

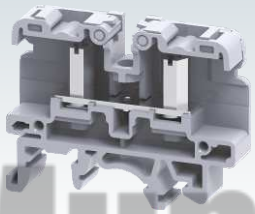
## STUD & BOLT TYPE TERMINAL BLOCKS




Wire Range : 0.5 - 6.0 mm<sup>2</sup>  
 Current (A) : 41 A  
 Voltage (V) : 1100 V  
 Dimensions Width (Thickness) x Length : 9 x 49 mm  
 Height with Din 35 x 7.5 mm Rail : 38 mm

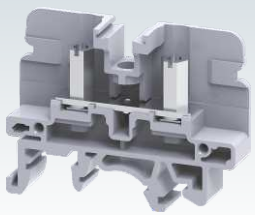
	Part #	Description	Std. Pack	UOM	List Price in	Group
TERMINAL BLOCK	CSB3/N3U	6mm <sup>2</sup> M3 STUD TYP SCREW/NUT DRIVER OPRTD	100	EA	27.60	B
	CSB3/N3UBU	6mm <sup>2</sup> M3 STUD SCREW/NUT DRIVER OPRTD BLU	100	EA	30.40	B
	CSB3/N3UBK	6mm <sup>2</sup> M3 STUD SCREW/NUT DRIVER OPRTD BLK	100	EA	30.40	B
	CSB3/N3UR	6mm <sup>2</sup> M3 STUD SCREW/NUT DRIVER OPRTD RED	100	EA	30.40	B
	CSB3/N3UY	6mm <sup>2</sup> M3 STUD SCREW/NUT DRIVER OPRTD YLW	100	EA	30.40	B
	CSB3/N3UGN	6mm <sup>2</sup> M3 STUD SCREW/NUT DRIVER OPRTD GRN	100	EA	30.40	B
ACCESSORIES	EPCBS3U	END PLATE FOR CBS & CSB SERIES TB	50	EA	7.90	B
	CA728/2	2P PRE ASSEM SHRT LINK FOR 9mm WIDE TB	50	EA	12.50	B
	CA728/3	3P PRE ASSEM SHRT LINK FOR 9mm WIDE TB	50	EA	18.70	B
	CA728/4	4P PRE ASSEM SHRT LINK FOR 9mm WIDE TB	50	EA	24.90	B
	CA728/10	10P PRE ASSEM SHRT LINK FOR 9mm WIDE TB	10	EA	62.10	B
	CA509/K9WHT	9 mm WIDE MARKER BLANK	1	PKT	73.50	B
	CA509/K9WP	9 mm WIDE MARKER PRINTED	1	PKT	84.00	B








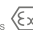



Wire Range : 0.5 - 6.0 mm<sup>2</sup>  
 Current (A) : 41 A  
 Voltage (V) : 1100 V  
 Dimensions Width (Thickness) x Length : 9 x 49 mm  
 Height with Din 35 x 7.5 mm Rail : 38 mm




	Part #	Description	Std. Pack	UOM	List Price in	Group
TERMINAL BLOCK	CSB3/N3USH	6mm <sup>2</sup> M3 SCREW/NUT DRVR OPRTD SHRD TB	100	EA	34.00	B
ACCESSORIES	EPCBS3U	END PLATE FOR CBS & CSB SERIES TB	50	EA	7.90	B
	CA728/2	2P PRE ASSEM SHRT LINK FOR 9mm WIDE TB	50	EA	12.50	B
	CA728/3	3P PRE ASSEM SHRT LINK FOR 9mm WIDE TB	50	EA	18.70	B
	CA728/4	4P PRE ASSEM SHRT LINK FOR 9mm WIDE TB	50	EA	24.90	B
	CA728/10	10P PRE ASSEM SHRT LINK FOR 9mm WIDE TB	10	EA	62.10	B
	CA509/K9WHT	9 mm WIDE MARKER BLANK	1	PKT	73.50	B
	CA509/K9WP	9 mm WIDE MARKER PRINTED	1	PKT	84.00	B








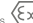



Wire Range : 0.5 - 6.0 mm<sup>2</sup>  
 Current (A) : 41 A  
 Voltage (V) : 800 V  
 Dimensions Width (Thickness) x Length : 9 x 49 mm  
 Height with Din 35 x 7.5 mm Rail : 38 mm

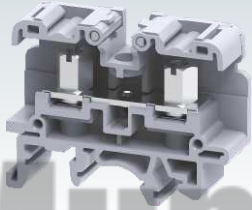
	Part #	Description	Std. Pack	UOM	List Price in	Group
TERMINAL BLOCK	CSB3/N3UL	6mm <sup>2</sup> M3 STUD TYP SCREW/NUT DRIVER OPRTD	100	EA	28.50	B
	CSB3/N3ULBU	6mm <sup>2</sup> M3 STUD SCREW/NUT DRIVER OPRTD BLU	100	EA	31.40	B
	CSB3/N3ULBK	6mm <sup>2</sup> M3 STUD SCREW/NUT DRIVER OPRTD BLK	100	EA	31.40	B
	CSB3/N3ULR	6mm <sup>2</sup> M3 STUD SCREW/NUT DRIVER OPRTD RED	100	EA	31.40	B
	CSB3/N3ULY	6mm <sup>2</sup> M3 STUD SCREW/NUT DRIVER OPRTD YLW	100	EA	31.40	B
	CSB3/N3ULGN	6mm <sup>2</sup> M3 STUD SCREW/NUT DRIVER OPRTD GRN	100	EA	31.40	B
ACCESSORIES	EPCBS3U	END PLATE FOR CBS & CSB SERIES TB	50	EA	7.90	B
	CA728/2	2P PRE ASSEM SHRT LINK FOR 9mm WIDE TB	50	EA	12.50	B
	CA728/3	3P PRE ASSEM SHRT LINK FOR 9mm WIDE TB	50	EA	18.70	B
	CA728/4	4P PRE ASSEM SHRT LINK FOR 9mm WIDE TB	50	EA	24.90	B
	CA728/10	10P PRE ASSEM SHRT LINK FOR 9mm WIDE TB	10	EA	62.10	B
	CA509/K9WHT	9 mm WIDE MARKER BLANK	1	PKT	73.50	B
	CA509/K9WP	9 mm WIDE MARKER PRINTED	1	PKT	84.00	B




Wire Range : 1.5 - 10.0 mm<sup>2</sup>  
 Current (A) : 57 A  
 Voltage (V) : 1100 V  
 Dimensions Width (Thickness) x Length : 13 x 49 mm  
 Height with Din 35 x 7.5 mm Rail : 38 mm

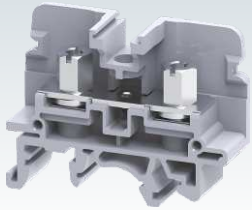
	Part #	Description	Std. Pack	UOM	List Price in	Group
TERMINAL BLOCK	CSB4/N4U	10mm <sup>2</sup> M4 STUD SCREW/NUT DRIVER OPERTD	100	EA	32.50	B
	CSB4/N4UBU	10mm <sup>2</sup> M4 STUD SW/NUT DRIVER OPERTD BLUE	100	EA	35.80	B
	CSB4/N4UBK	10mm <sup>2</sup> M4 STUD SW/NUT DRIVER OPERTD BLK	100	EA	35.80	B
	CSB4/N4UR	10mm <sup>2</sup> M4 STUD SW/NUT DRIVER OPERTD RED	100	EA	35.80	B
	CSB4/N4UY	10mm <sup>2</sup> M4 STUD SW/NUT DRIVER OPERTD YLW	100	EA	35.80	B
	CSB4/N4UGN	10mm <sup>2</sup> M4 STUD SW/NUT DRIVER OPERTD GRN	100	EA	35.80	B
ACCESSORIES	EPCBS3U	END PLATE FOR CBS & CSB SERIES TB	50	EA	7.90	B
	CA772/2	2P PRE ASSEM SHRT LINK FOR 13mm WIDE TB	100	EA	15.90	B
	CA772/3	3P PRE ASSEM SHRT LINK FOR 13mm WIDE TB	50	EA	23.90	B
	CA772/4	4P PRE ASSEM SHRT LINK FOR 13mm WIDE TB	50	EA	31.80	B
	CA772/10	10P PRE ASSEM SHRT LINK FOR 13mm WIDE TB	10	EA	79.40	B
	CA509/K9WHT	9 mm WIDE MARKER BLANK	1	PKT	73.50	B
	CA509/K9WP	9 mm WIDE MARKER PRINTED	1	PKT	84.00	B












Wire Range : 0.5 - 10.0 mm<sup>2</sup>  
 Current (A) : 57 A  
 Voltage (V) : 1000 V  
 Dimensions Width (Thickness) x Length : 13 x 49 mm  
 Height with Din 35 x 7.5 mm Rail : 38 mm



	Part #	Description	Std. Pack	UOM	List Price in	Group
TERMINAL BLOCK	CSB4/N4USH	10mm <sup>2</sup> M3 SCREW/NUT DRVR OPRTD SHRD TB	100	EA	38.60	B
ACCESSORIES	EPCBS3U	END PLATE FOR CBS & CSB SERIES TB	50	EA	7.90	B
	CA772/2	2P PRE ASSEM SHRT LINK FOR 13mm WIDE TB	100	EA	15.90	B
	CA772/3	3P PRE ASSEM SHRT LINK FOR 13mm WIDE TB	50	EA	23.90	B
	CA772/4	4P PRE ASSEM SHRT LINK FOR 13mm WIDE TB	50	EA	31.80	B
	CA772/10	10P PRE ASSEM SHRT LINK FOR 13mm WIDE TB	10	EA	79.40	B
	CA509/K9WHT	9 mm WIDE MARKER BLANK	1	PKT	73.50	B
	CA509/K9WP	9 mm WIDE MARKER PRINTED	1	PKT	84.00	B

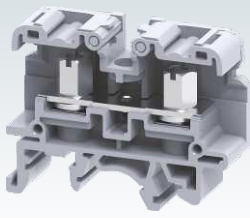


Wire Range : 1.5 - 16.0 mm<sup>2</sup>  
 Current (A) : 76 A  
 Voltage (V) : 1100 V  
 Dimensions Width (Thickness) x Length : 13 x 49 mm  
 Height with Din 35 x 7.5 mm Rail : 38 mm

	Part #	Description	Std. Pack	UOM	List Price in	Group
TERMINAL BLOCK	CSB5/N5U	16mm <sup>2</sup> M5 STUD SCREW/NUT DRIVER OPERTD	100	EA	36.50	B
	CSB5/N5UBU	16mm <sup>2</sup> M5 STUD SW/NUT DRIVER OPERTD BLUE	100	EA	40.20	B
	CSB5/N5UBK	16mm <sup>2</sup> M5 STUD SW/NUT DRIVER OPERTD BLK	100	EA	40.20	B
	CSB5/N5UR	16mm <sup>2</sup> M5 STUD SW/NUT DRIVER OPERTD RED	100	EA	40.20	B
	CSB5/N5UY	16mm <sup>2</sup> M5 STUD SW/NUT DRIVER OPERTD YLW	100	EA	40.20	B
	CSB5/N5UGN	16mm <sup>2</sup> M5 STUD SW/NUT DRIVER OPERTD GRN	100	EA	40.20	B
ACCESSORIES	EPCBS3U	END PLATE FOR CBS & CSB SERIES TB	50	EA	7.90	B
	CA772/2	2P PRE ASSEM SHRT LINK FOR 13mm WIDE TB	100	EA	15.90	B
	CA772/3	3P PRE ASSEM SHRT LINK FOR 13mm WIDE TB	50	EA	23.90	B
	CA772/4	4P PRE ASSEM SHRT LINK FOR 13mm WIDE TB	50	EA	31.80	B
	CA772/10	10P PRE ASSEM SHRT LINK FOR 13mm WIDE TB	10	EA	79.40	B
	CA509/K9WHT	9 mm WIDE MARKER BLANK	1	PKT	73.50	B
	CA509/K9WP	9 mm WIDE MARKER PRINTED	1	PKT	84.00	B

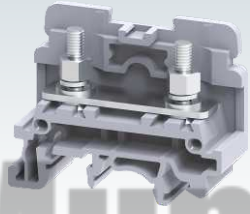
## STUD & BOLT TYPE TERMINAL BLOCKS



Wire Range : 1.5 - 16.0 mm<sup>2</sup>  
 Current (A) : 76 A  
 Voltage (V) : 1000 V  
 Dimensions Width (Thickness) x Length : 13 x 49 mm  
 Height with Din 35 x 7.5 mm Rail : 38 mm

CE

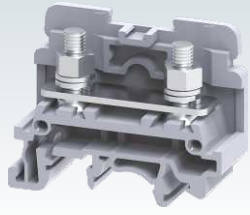
	Part #	Description	Std. Pack	UOM	List Price in	Group
TERMINAL BLOCK	CBS5/N5USH	16mm <sup>2</sup> M3 SCREW/NUT DRVR OPRTD SHRD TB	100	EA	42.60	B
ACCESSORIES	EPCBS3U	END PLATE FOR CBS & CSB SERIES TB	50	EA	7.90	B
	CA772/2	2P PRE ASSEM SHRT LINK FOR 13mm WIDE TB	100	EA	15.90	B
	CA772/3	3P PRE ASSEM SHRT LINK FOR 13mm WIDE TB	50	EA	23.90	B
	CA772/4	4P PRE ASSEM SHRT LINK FOR 13mm WIDE TB	50	EA	31.80	B
	CA772/10	10P PRE ASSEM SHRT LINK FOR 13mm WIDE TB	10	EA	79.40	B
	CA509/K9WHT	9 mm WIDE MARKER BLANK	1	PKT	73.50	B
	CA509/K9WP	9 mm WIDE MARKER PRINTED	1	PKT	84.00	B



Wire Range : 1.5 - 10.0 mm<sup>2</sup>  
 Current (A) : 57 A  
 Voltage (V) : 1000 V  
 Dimensions Width (Thickness) x Length : 17 x 50 mm  
 Height with Din 35 x 7.5 mm Rail : 40.7 mm

IECEE CE C US US Lloyds Register

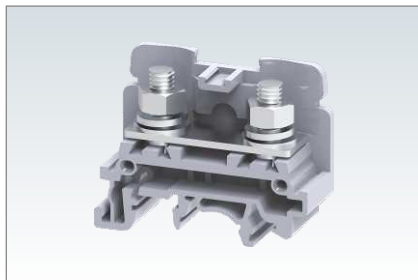
	Part #	Description	Std. Pack	UOM	List Price in	Group
TERMINAL BLOCK	CSTSN4U	10mm <sup>2</sup> M4 STUD NUT DRIVER OPERATED TB	100	EA	36.30	B
	CSTSN4UBU	10mm <sup>2</sup> M4 STUD NUT DRIVER OPTD TB BLUE	100	EA	40.00	B
	CSTSN4UBK	10mm <sup>2</sup> M4 STUD NUT DRIVER OPTD TB BLACK	100	EA	40.00	B
	CSTSN4UR	10mm <sup>2</sup> M4 STUD NUT DRIVER OPTD TB RED	100	EA	40.00	B
	CSTSN4UY	10mm <sup>2</sup> M4 STUD NUT DRIVER OPTD TB YLW	100	EA	40.00	B
	CSTSN4UGN	10mm <sup>2</sup> M4 STUD NUT DRIVER OPTD TB GREEN	100	EA	40.00	B
ACCESSORIES	EPCSTSU	END PLATE FOR CSTSN4/N5U	50	EA	8.40	B
	CA509/K2B4WHT	6 mm WIDE MARKER BLANK	1	PKT	72.30	B
	CA509/K2B4WP	6 mm WIDE MARKER PRINTED	1	PKT	81.40	B



Wire Range : 1.5 - 16.0 mm<sup>2</sup>  
 Current (A) : 76 A  
 Voltage (V) : 1000 V  
 Dimensions Width (Thickness) x Length : 17 x 50 mm  
 Height with Din 35 x 7.5 mm Rail : 40.7 mm

IECEE CE C US US Lloyds Register

	Part #	Description	Std. Pack	UOM	List Price in	Group
TERMINAL BLOCK	CSTSN5U	16mm <sup>2</sup> M5 STUD NUT DRIVER OPERATED TB	100	EA	40.00	B
	CSTSN5UBU	16mm <sup>2</sup> M5 STUD NUT DRIVER OPTD TB BLUE	100	EA	44.00	B
	CSTSN5UBK	16mm <sup>2</sup> M5 STUD NUT DRIVER OPTD TB BLACK	100	EA	44.00	B
	CSTSN5UR	16mm <sup>2</sup> M5 STUD NUT DRIVER OPTD TB RED	100	EA	44.00	B
	CSTSN5UY	16mm <sup>2</sup> M5 STUD NUT DRIVER OPTD TB YLW	100	EA	44.00	B
	CSTSN5UGN	16mm <sup>2</sup> M5 STUD NUT DRIVER OPTD TB GREEN	100	EA	44.00	B
ACCESSORIES	EPCSTSU	END PLATE FOR CSTSN4/N5U	50	EA	8.40	B
	CA509/K2B4WHT	6 mm WIDE MARKER BLANK	1	PKT	72.30	B
	CA509/K2B4WP	6 mm WIDE MARKER PRINTED	1	PKT	81.40	B



Wire Range : 1.5 - 35.0 mm<sup>2</sup>  
 Current (A) : 125 A  
 Voltage (V) : 1000 V  
 Dimensions Width (Thickness) x Length : 17 x 50 mm  
 Height with Din 35 x 7.5 mm Rail : 40.7 mm



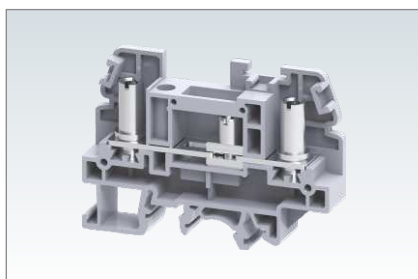
	Part #	Description	Std. Pack	UOM	List Price in	Group
TERMINAL BLOCK	CSTSN6U	35mm <sup>2</sup> M6 STUD NUT DRIVER OPERATED TB	100	EA	53.00	B
	CSTSN6UBU	35mm <sup>2</sup> M6 STUD NUT DRIVER OPTD TB BLUE	100	EA	58.30	B
	CSTSN6UBK	35mm <sup>2</sup> M6 STUD NUT DRIVER OPTD TB BLACK	100	EA	58.30	B
	CSTSN6UR	35mm <sup>2</sup> M6 STUD NUT DRIVER OPTD TB RED	100	EA	58.30	B
	CSTSN6UY	35mm <sup>2</sup> M6 STUD NUT DRIVER OPTD TB YLW	100	EA	58.30	B
	CSTSN6UGN	35mm <sup>2</sup> M6 STUD NUT DRIVER OPTD TB GREEN	100	EA	58.30	B
ACCESSORIES	EPCSTSU	END PLATE FOR CSTSN4/N5U	50	EA	8.40	B
	CA509/K2B4WHT	6 mm WIDE MARKER BLANK	1	PKT	72.30	B
	CA509/K2B4WP	6 mm WIDE MARKER PRINTED	1	PKT	81.40	B



Wire Range : 1.5 - 35.0 mm<sup>2</sup>  
 Current (A) : 125 A  
 Voltage (V) : 1000 V  
 Dimensions Width (Thickness) x Length : 17 x 50 mm  
 Height with Din 35 x 7.5 mm Rail : 40.7 mm



	Part #	Description	Std. Pack	UOM	List Price in	Group
TERMINAL BLOCK	CSTSN6USH	16mm <sup>2</sup> M3 NUT DRVR OPRTD SHRD TB	100	EA	61.10	B
ACCESSORIES	EPCSTSU	END PLATE FOR CSTSN4/N5U	50	EA	8.40	B
	CA509/K2B4WHT	6 mm WIDE MARKER BLANK	1	PKT	72.30	B
	CA509/K2B4WP	6 mm WIDE MARKER PRINTED	1	PKT	81.40	B

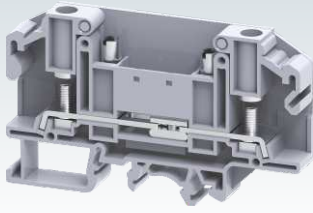


Wire Range : 1.5 - 6.0 mm<sup>2</sup>  
 Current (A) : 41 A  
 Voltage (V) : 1100 V  
 Dimensions Width (Thickness) x Length : 13 x 71 mm  
 Height with Din 35 x 7.5 mm Rail : 50.2 mm









	Part #	Description	Std. Pack	UOM	List Price in	Group
TERMINAL BLOCK	CBDT4U	6 mm <sup>2</sup> M4 STUD SLIDE LINK DISCONNECT TB	50	EA	51.50	B
	CBDT4UBU	6 mm <sup>2</sup> M4 STUD SLIDE LNK DISCONNECT TB BLU	50	EA	56.70	B
	CBDT4UBK	6 mm <sup>2</sup> M4 STUD SLIDE LNK DISCONNECT TB BLK	50	EA	56.70	B
	CBDT4UR	6 mm <sup>2</sup> M4 STUD SLIDE LNK DISCONNECT TB RED	50	EA	56.70	B
	CBDT4UY	6 mm <sup>2</sup> M4 STUD SLIDE LNK DISCONNECT TB YLW	50	EA	56.70	B
	CBDT4UGN	6 mm <sup>2</sup> M4 STUD SLIDE LNK DISCONNECT TB GRN	50	EA	56.70	B
ACCESSORIES	EPCBDT4U	END PLATE FOR CBDT4U	50	EA	11.80	B
	CA775/2	2P PRE ASSEM SHRT LINK FOR 13mm WIDE TB	100	EA	16.10	B
	CA775/3	3P PRE ASSEM SHRT LINK FOR 13mm WIDE TB	50	EA	24.20	B
	CA775/4	4P PRE ASSEM SHRT LINK FOR 13mm WIDE TB	50	EA	32.20	B
	CA775/10	10P PRE ASSEM SHRT LINK FOR 13mm WIDE TB	10	EA	80.50	B
	CA509/K2B4WHT	6 mm WIDE MARKER BLANK	1	PKT	72.30	B
	CA509/K2B4WP	6 mm WIDE MARKER PRINTED	1	PKT	81.40	B

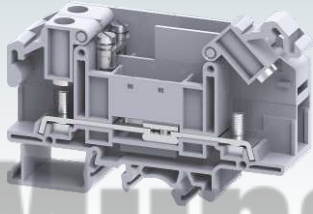
## STUD & BOLT TYPE TERMINAL BLOCKS









Wire Range : 1.5 - 6.0 mm<sup>2</sup>  
 Current (A) : 41 A  
 Voltage (V) : 1000 V  
 Dimensions Width (Thickness) x Length : 11 x 86 mm  
 Height with Din 35 x 7.5 mm Rail : 52.2 mm

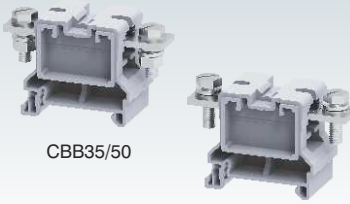
	Part #	Description	Std. Pack	UOM	List Price in	Group
TERMINAL BLOCK	STH4DT	6 mm <sup>2</sup> DISCONNECT CAPTIVE NUT STUD TYP TB	50	EA	65.00	B
	STH4DTBU	6 mm <sup>2</sup> DISCON CAPTIVE NUT STUD TYP TB BLU	50	EA	71.50	B
	STH4DTBK	6 mm <sup>2</sup> DISCON CAPTIVE NUT STUD TYP TB BLK	50	EA	71.50	B
	STH4DTR	6 mm <sup>2</sup> DISCON CAPTIVE NUT STUD TYP TB RED	50	EA	71.50	B
	STH4DTY	6 mm <sup>2</sup> DISCON CAPTIVE NUT STUD TYP TB YLW	50	EA	66.00	B
	STH4DTGN	6 mm <sup>2</sup> M4 CAPTIVE NUT STUD TYPE TB GREEN	50	EA	71.50	B
ACCESSORIES	EPSTH4DT	END PLATE FOR STH4DT	50	EA	12.40	B
	CA509/K10WHT	10 mm WIDE MARKER BLANK	1	PKT	80.20	B
	CA509/K10WP	10 mm WIDE MARKER PRINTED	1	PKT	90.70	B



Wire Range : 1.5 - 6.0 mm<sup>2</sup>  
 Current (A) : 34 A  
 Voltage (V) : 1000 V  
 Dimensions Width (Thickness) x Length : 22 x 86 mm  
 Height with Din 35 x 7.5 mm Rail : 52.2 mm














	Part #	Description	Std. Pack	UOM	List Price in	Group
TERMINAL BLOCK	STH4DTSH	6 mm <sup>2</sup> DISCON CAPTIVE NUT INT SHRTD TB	24	EA	136.00	B
ACCESSORIES	EPSTH4DT	END PLATE FOR STH4DT	50	EA	12.40	B
	CA509/K10WHT	10 mm WIDE MARKER BLANK	1	PKT	80.20	B
	CA509/K10WP	10 mm WIDE MARKER PRINTED	1	PKT	90.70	B




CBB35/50      CBB35/50LS

Wire Range : 6.0 - 50.0 mm<sup>2</sup>  
 Current (A) : 150 A  
 Voltage (V) : 1000 V  
 Dimensions Width (Thickness) x Length : 32 x 75 mm  
 Height with Din 35 x 7.5 mm Rail : 47.5 mm









	Part #	Description	Std. Pack	UOM	List Price in	Group
TERMINAL BLOCK	CBB35/50	50 mm <sup>2</sup> FD THRU BOLT/NUT TERMINAL BLOCK	10	EA	126.00	B
	CBB35/50LS	50 mm <sup>2</sup> FEED THRU SLOTTED BOLT TERMINAL	10	EA	132.30	B
	CBB35/50BU	50 mm <sup>2</sup> FEED THRU BOLT/NUT TB BLUE	10	EA	138.60	B
	CBB35/50BK	50 mm <sup>2</sup> FEED THRU BOLT/NUT TB BLACK	10	EA	138.60	B
	CBB35/50R	50 mm <sup>2</sup> FEED THRU BOLT/NUT TB RED	10	EA	138.60	B
	CBB35/50Y	50 mm <sup>2</sup> FEED THRU BOLT/NUT TB YELLOW	10	EA	138.60	B
	CBB35/50GN	50 mm <sup>2</sup> FEED THRU BOLT/NUT TB GREEN	10	EA	138.60	B
ACCESSORIES	PPCBB	PARTITION PLATE FOR CBB35/50 /CBB70	10	EA	27.30	B
	CA509/K12WHT	12 mm WIDE MARKER BLANK	1	PKT	94.50	B
	CA509/K12WP	12 mm WIDE MARKER PRINTED	1	PKT	105.00	B



CBB70 CBB70LS

Wire Range : 6.0 - 70.0 mm<sup>2</sup>  
 Current (A) : 192 A  
 Voltage (V) : 1000 V  
 Dimensions Width (Thickness) x Length : 38 x 92 mm  
 Height with Din 35 x 7.5 mm Rail : 47.3 mm



	Part #	Description	Std. Pack	UOM	List Price in	Group
TERMINAL BLOCK	CBB70	70 mm <sup>2</sup> FD THRU BOLT/NUT TERMINAL BLOCK	10	EA	175.00	B
	CBB70LS	70 mm <sup>2</sup> FEED THRU SLOTTED BOLT TERMINAL	10	EA	180.70	B
	CBB70BU	70 mm <sup>2</sup> FEED THRU BOLT/NUT TB BLUE	10	EA	192.50	B
	CBB70BK	70 mm <sup>2</sup> FEED THRU BOLT/NUT TB BLACK	10	EA	192.50	B
	CBB70R	70 mm <sup>2</sup> FEED THRU BOLT/NUT TB RED	10	EA	192.50	B
	CBB70Y	70 mm <sup>2</sup> FEED THRU BOLT/NUT TB YELLOW	10	EA	192.50	B
	CBB70GN	70 mm <sup>2</sup> FEED THRU BOLT/NUT TB GREEN	10	EA	192.50	B
ACCESSORIES	PPCBB	PARTITION PLATE FOR CBB35/50 /CBB70	10	EA	27.30	B
	CA509/K16WHT	16 mm WIDE MARKER BLANK	1	PKT	94.50	B
	CA509/K16WP	16 mm WIDE MARKER PRINTED	1	PKT	106.40	B




CBB95 CBB95LS

Wire Range : 16.0 - 95.0 mm<sup>2</sup>  
 Current (A) : 232 A  
 Voltage (V) : 1000 V  
 Dimensions Width (Thickness) x Length : 38 x 92 mm  
 Height with Din 35 x 7.5 mm Rail : 47.3 mm




	Part #	Description	Std. Pack	UOM	List Price in	Group
TERMINAL BLOCK	CBB95	95 mm <sup>2</sup> FD THRU BOLT/NUT TERMINAL BLOCK	10	EA	253.00	B
	CBB95LS	95 mm <sup>2</sup> FEED THRU SLOTTED BOLT TERMINAL	10	EA	258.50	B
	CBB95BU	95 mm <sup>2</sup> FEED THRU BOLT/NUT TB BLUE	10	EA	278.30	B
	CBB95BK	95 mm <sup>2</sup> FEED THRU BOLT/NUT TB BLACK	10	EA	278.30	B
	CBB95R	95 mm <sup>2</sup> FEED THRU BOLT/NUT TB RED	10	EA	278.30	B
	CBB95Y	95 mm <sup>2</sup> FEED THRU BOLT/NUT TB YELLOW	10	EA	278.30	B
	CBB95GN	95 mm <sup>2</sup> FEED THRU BOLT/NUT TB GREEN	10	EA	278.30	B
ACCESSORIES	PPCBB1	PARTITION PLATE FOR CBB95/120/150/185	10	EA	31.70	B
	CA509/K16WHT	16 mm WIDE MARKER BLANK	1	PKT	94.50	B
	CA509/K16WP	16 mm WIDE MARKER PRINTED	1	PKT	106.40	B




CBB120 CBB120LS

Wire Range : 16.0 - 120.0 mm<sup>2</sup>  
 Current (A) : 269 A  
 Voltage (V) : 1000 V  
 Dimensions Width (Thickness) x Length : 48 x 100 mm  
 Height with Din 35 x 7.5 mm Rail : 47.3 mm



	Part #	Description	Std. Pack	UOM	List Price in	Group
TERMINAL BLOCK	CBB120	120 mm <sup>2</sup> FD THRU BOLT/NUT TERMINAL BLOCK	10	EA	275.00	B
	CBB120LS	120 mm <sup>2</sup> FEED THRU SLOTTED BOLT TERMINAL	10	EA	286.50	B
	CBB120BU	120 mm <sup>2</sup> FEED THRU BOLT/NUT TB BLUE	10	EA	302.50	B
	CBB120BK	120 mm <sup>2</sup> FEED THRU BOLT/NUT TB BLACK	10	EA	302.50	B
	CBB120R	120 mm <sup>2</sup> FEED THRU BOLT/NUT TB RED	10	EA	302.50	B
	CBB120Y	120 mm <sup>2</sup> FEED THRU BOLT/NUT TB YELLOW	10	EA	302.50	B
	CBB120GN	120 mm <sup>2</sup> FEED THRU BOLT/NUT TB GREEN	10	EA	302.50	B
ACCESSORIES	PPCBB1	PARTITION PLATE FOR CBB95/120/150/185	10	EA	31.70	B
	CA509/K16WHT	16 mm WIDE MARKER BLANK	1	PKT	94.50	B
	CA509/K16WP	16 mm WIDE MARKER PRINTED	1	PKT	106.40	B

## STUD & BOLT TYPE TERMINAL BLOCKS



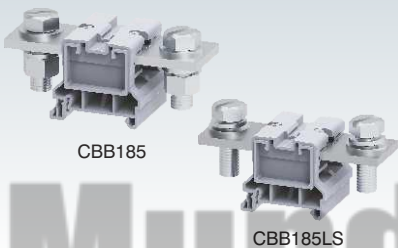
CBB150

CBB150LS

Wire Range : 16.0 - 150.0 mm<sup>2</sup>  
 Current (A) : 309 A  
 Voltage (V) : 1000 V  
 Dimensions Width (Thickness) x Length : 48 x 110 mm  
 Height with Din 35 x 7.5 mm Rail : 47.3 mm

IECEE CE C US C US Lloyd's Register

	Part #	Description	Std. Pack	UOM	List Price in	Group
TERMINAL BLOCK	CBB150	150 mm <sup>2</sup> FD THRU BOLT/NUT TERMINAL BLOCK	10	EA	363.00	B
	CBB150LS	150 mm <sup>2</sup> FEED THRU SLOTTED BOLT TERMINAL	10	EA	368.50	B
	CBB150BU	150 mm <sup>2</sup> FEED THRU BOLT/NUT TB BLUE	10	EA	399.30	B
	CBB150BK	150 mm <sup>2</sup> FEED THRU BOLT/NUT TB BLACK	10	EA	399.30	B
	CBB150R	150 mm <sup>2</sup> FEED THRU BOLT/NUT TB RED	10	EA	399.30	B
	CBB150Y	150 mm <sup>2</sup> FEED THRU BOLT/NUT TB YELLOW	10	EA	399.30	B
	CBB150GN	150 mm <sup>2</sup> FEED THRU BOLT/NUT TB GREEN	10	EA	399.30	B
ACCESSORIES	PPCBB1	PARTITION PLATE FOR CBB95/120/150/185	10	EA	31.70	B
	CA509/K16WHT	16 mm WIDE MARKER BLANK	1	PKT	94.50	B
	CA509/K16WP	16 mm WIDE MARKER PRINTED	1	PKT	106.40	B



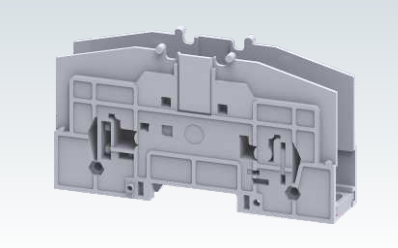
CBB185

CBB185LS

Wire Range : 16.0 - 185.0 mm<sup>2</sup>  
 Current (A) : 353 A  
 Voltage (V) : 1000 V  
 Dimensions Width (Thickness) x Length : 48 x 110 mm  
 Height with Din 35 x 7.5 mm Rail : 47.3 mm

IECEE CE C US C US Lloyd's Register

	Part #	Description	Std. Pack	UOM	List Price in	Group
TERMINAL BLOCK	CBB185	185 mm <sup>2</sup> FD THRU BOLT/NUT TERMINAL BLOCK	10	EA	520.00	B
	CBB185LS	185 mm <sup>2</sup> FEED THRU SLOTTED BOLT TERMINAL	10	EA	491.00	B
	CBB185BU	185 mm <sup>2</sup> FEED THRU BOLT/NUT TB BLUE	10	EA	572.00	B
	CBB185BK	185 mm <sup>2</sup> FEED THRU BOLT/NUT TB BLACK	10	EA	572.00	B
	CBB185R	185 mm <sup>2</sup> FEED THRU BOLT/NUT TB RED	10	EA	572.00	B
	CBB185Y	185 mm <sup>2</sup> FEED THRU BOLT/NUT TB YELLOW	10	EA	572.00	B
	CBB185GN	185 mm <sup>2</sup> FEED THRU BOLT/NUT TB GREEN	10	EA	572.00	B
ACCESSORIES	PPCBB1	PARTITION PLATE FOR CBB95/120/150/185	10	EA	31.70	B
	CA509/K16WHT	16 mm WIDE MARKER BLANK	1	PKT	94.50	B
	CA509/K16WP	16 mm WIDE MARKER PRINTED	1	PKT	106.40	B

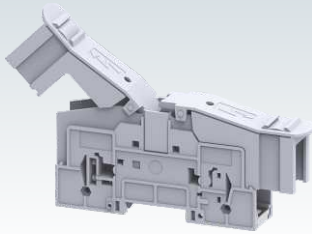


PTB35/50






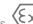




Wire Range : 1.5 - 50.0 mm<sup>2</sup>  
 Current (A) : 150 A  
 Voltage (V) : 1000 V  
 Dimensions Width (Thickness) x Length : 25 x 113 mm  
 Height with Din 35 x 7.5 mm Rail : 61 mm

IECEE CE C US C US E X IECEE Lloyd's Register

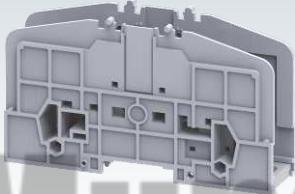
	Part #	Description	Std. Pack	UOM	List Price in	Group
TERMINAL BLOCK	PTB35/50	50 mm <sup>2</sup> FEED THRU BARRIER TYPE BOLT TB	10	EA	176.00	B
	PTB35/50BU	50 mm <sup>2</sup> FEED THRU BARRIER TYP BOLT TB BLU	10	EA	193.60	B
	PTB35/50BK	50 mm <sup>2</sup> FEED THRU BARRIER TYP BOLT TB BLK	10	EA	193.60	B
	PTB35/50R	50 mm <sup>2</sup> FEED THRU BARRIER TYP BOLT TB RED	10	EA	193.60	B
	PTB35/50Y	50 mm <sup>2</sup> FEED THRU BARRIER TYP BOLT TB YLW	10	EA	193.60	B
	PTB35/50GN	50 mm <sup>2</sup> FEED THRU BARRIER TYP BOLT TB GRN	10	EA	193.60	B
	PSPTB35/50	PROTECTIVE SHROUD FOR PTB35/50	20	EA	15.00	B
ACCESSORIES	CA509/K9WHT	9 mm WIDE MARKER BLANK	1	PKT	73.50	B
	CA509/K9WP	9 mm WIDE MARKER PRINTED	1	PKT	84.00	B













Wire Range : 1.5 - 50.0 mm<sup>2</sup>  
 Current (A) : 150 A  
 Voltage (V) : 1000 V  
 Dimensions Width (Thickness) x Length : 25 x 169 mm  
 Height with Din 35 x 7.5 mm Rail : 66.5 mm

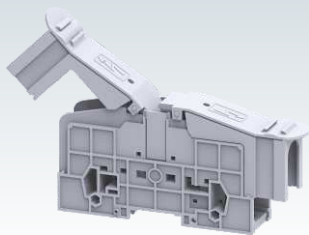
	Part #	Description	Std. Pack	UOM	List Price in	Group
TERMINAL BLOCK	PTB35/50SH	50 mm <sup>2</sup> FT BARRIER TYPE SHROUDED BOLT TB	10	EA	199.50	B
	PTB35/50SHBU	50 mm <sup>2</sup> BARRIER TYPE SHROUD BOLT TB BLU	10	EA	219.50	B
	PTB35/50SHBK	50 mm <sup>2</sup> BARRIER TYPE SHROUD BOLT TB BLK	10	EA	219.50	B
	PTB35/50SHR	50 mm <sup>2</sup> BARRIER TYPE SHROUD BOLT TB RED	10	EA	219.50	B
	PTB35/50SHY	50 mm <sup>2</sup> BARRIER TYPE SHROUD BOLT TB YLW	10	EA	219.50	B
	PTB35/50SHGN	50 mm <sup>2</sup> BARRIER TYPE SHROUD BOLT TB GRN	10	EA	219.50	B
ACCESSORIES	CA509/K9WHT	9 mm WIDE MARKER BLANK	1	PKT	73.50	B
	CA509/K9WP	9 mm WIDE MARKER PRINTED	1	PKT	84.00	B













Wire Range : 1.5 - 95.0 mm<sup>2</sup>  
 Current (A) : 232 A  
 Voltage (V) : 1000 V  
 Dimensions Width (Thickness) x Length : 32 x 130 mm  
 Height with Din 35 x 7.5 mm Rail : 76.6 mm

	Part #	Description	Std. Pack	UOM	List Price in	Group
TERMINAL BLOCK	PTB70/95	95 mm <sup>2</sup> FEED THRU BARRIER TYPE BOLT TB	10	EA	255.30	B
	PTB70/95BU	95 mm <sup>2</sup> FEED THRU BARRIER TYP BOLT TB BLU	10	EA	280.90	B
	PTB70/95BK	95 mm <sup>2</sup> FEED THRU BARRIER TYP BOLT TB BLK	10	EA	280.90	B
	PTB70/95R	95 mm <sup>2</sup> FEED THRU BARRIER TYP BOLT TB RED	10	EA	280.90	B
	PTB70/95Y	95 mm <sup>2</sup> FEED THRU BARRIER TYP BOLT TB YLW	10	EA	280.90	B
	PTB70/95GN	95 mm <sup>2</sup> FEED THRU BARRIER TYP BOLT TB GRN	10	EA	280.90	B
	PSPTB70/95	PROTECTIVE SHROUD FR PTB70/95	20	EA	23.00	B
ACCESSORIES	CA509/K9WHT	9 mm WIDE MARKER BLANK	1	PKT	73.50	B
	CA509/K9WP	9 mm WIDE MARKER PRINTED	1	PKT	84.00	B

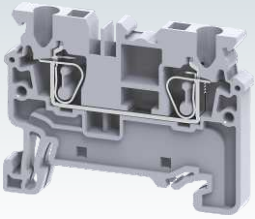


Wire Range : 1.5 - 95.0 mm<sup>2</sup>  
 Current (A) : 232 A  
 Voltage (V) : 1000 V  
 Dimensions Width (Thickness) x Length : 32 x 192 mm  
 Height with Din 35 x 7.5 mm Rail : 78 mm





















	Part #	Description	Std. Pack	UOM	List Price in	Group
TERMINAL BLOCK	PTB70/95SH	95 mm <sup>2</sup> FT BARRIER TYPE SHROUDED BOLT TB	10	EA	294.70	B
	PTB70/95SHBU	95 mm <sup>2</sup> BARRIER TYPE SHROUD BOLT TB BLU	10	EA	324.20	B
	PTB70/95SHBK	95 mm <sup>2</sup> BARRIER TYPE SHROUD BOLT TB BLK	10	EA	324.20	B
	PTB70/95SHR	95 mm <sup>2</sup> BARRIER TYPE SHROUD BOLT TB RED	10	EA	324.20	B
	PTB70/95SHY	95 mm <sup>2</sup> BARRIER TYPE SHROUD BOLT TB YLW	10	EA	324.20	B
	PTB70/95SHGN	95 mm <sup>2</sup> BARRIER TYPE SHROUD BOLT TB GRN	10	EA	324.20	B
ACCESSORIES	CA509/K9WHT	9 mm WIDE MARKER BLANK	1	PKT	73.50	B
	CA509/K9WP	9 mm WIDE MARKER PRINTED	1	PKT	84.00	B

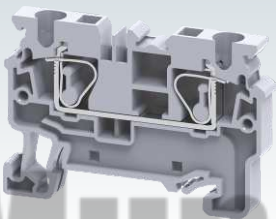
## SPRING CLAMP TERMINAL BLOCKS












Wire Range : 0.2 - 2.5 mm<sup>2</sup>  
 Current (A) : 24 A  
 Voltage (V) : 1000 V  
 Dimensions Width (Thickness) x Length : 5 x 50 mm  
 Height with Din 35 x 7.5 mm Rail : 38 mm

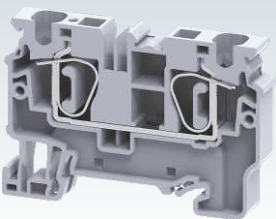
	Part #	Description	Std. Pack	UOM	List Price in	Group
TERMINAL BLOCK	CX2.5	2.5 mm <sup>2</sup> FEED THRU SPRING CLAMP TERMINAL	100	EA	9.00	A
	CX2.5BU	2.5 mm <sup>2</sup> FEED THRU SPRING CLAMP TB BLUE	100	EA	9.90	A
	CX2.5BK	2.5 mm <sup>2</sup> FEED THRU SPRING CLAMP TB BLK	100	EA	9.90	A
	CX2.5R	2.5 mm <sup>2</sup> FEED THRU SPRING CLAMP TB RED	100	EA	9.90	A
	CX2.5Y	2.5 mm <sup>2</sup> FEED THRU SPRING CLAMP TB YELLOW	100	EA	9.90	A
	CX2.5GN	2.5 mm <sup>2</sup> FEED THRU SPRING CLAMP TB GREEN	100	EA	9.90	A
ACCESSORIES	EPCX2.5	END PLATE FOR CX2.5/CXG2.5	50	EA	4.60	A
	PPCX4	PARTITION PLATE FOR CX2.5 & CX4 SERIES	50	EA	7.40	A
	JX2.5/2	SHORTING LNK FR 5mm WIDE SPRING CLAMP TB	100	EA	7.30	A
	JX2.5/3	SHORTING LNK FR 5mm WIDE SPRING CLAMP TB	50	EA	12.70	A
	JX2.5/4	SHORTING LNK FR 5mm WIDE SPRING CLAMP TB	50	EA	23.00	A
	JX2.5/10	SHORTING LNK FR 5mm WIDE SPRING CLAMP TB	10	EA	59.80	A
	CA509/K5WHT	5 mm WIDE MARKER BLANK	1	PKT	64.40	B
	CA509/K5WP	5 mm WIDE MARKER PRINTED	1	PKT	73.50	B








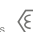



Wire Range : 0.2 - 4.0 mm<sup>2</sup>  
 Current (A) : 32 A  
 Voltage (V) : 1000 V  
 Dimensions Width (Thickness) x Length : 6 x 54.8 mm  
 Height with Din 35 x 7.5 mm Rail : 38 mm

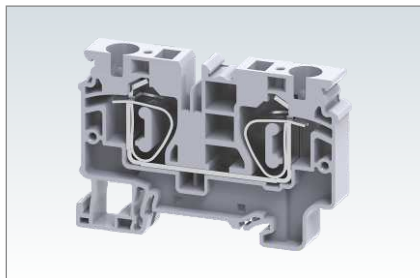
	Part #	Description	Std. Pack	UOM	List Price in	Group
TERMINAL BLOCK	CX4	4 mm <sup>2</sup> FEED THRU SPRING CLAMP TERMINAL	100	EA	15.00	A
	CX4BU	4 mm <sup>2</sup> FEED THRU SPRING CLAMP TB BLUE	100	EA	16.50	A
	CX4BK	4 mm <sup>2</sup> FEED THRU SPRING CLAMP TB BLACK	100	EA	16.50	A
	CX4R	4 mm <sup>2</sup> FEED THRU SPRING CLAMP TB RED	100	EA	16.50	A
	CX4Y	4 mm <sup>2</sup> FEED THRU SPRING CLAMP TB YELLOW	100	EA	16.50	A
	CX4GN	4 mm <sup>2</sup> FEED THRU SPRING CLAMP TB GREEN	100	EA	16.50	A
ACCESSORIES	EPCX4	END PLATE FOR CX4 & CXG4	50	EA	5.90	A
	PPCX4	PARTITION PLATE FOR CX2.5 & CX4 SERIES	50	EA	7.40	A
	JX4/2	SHORTING LNK FR 5mm WIDE SPRING CLAMP TB	100	EA	13.30	A
	JX4/3	SHORTING LNK FR 5mm WIDE SPRING CLAMP TB	50	EA	23.00	A
	JX4/4	SHORTING LNK FR 5mm WIDE SPRING CLAMP TB	50	EA	34.50	A
	JX4/10	SHORTING LNK FR 5mm WIDE SPRING CLAMP TB	10	EA	80.50	A
	CA509/K6WHT	6 mm WIDE MARKER BLANK	1	PKT	64.40	B
	CA509/K6WP	6 mm WIDE MARKER PRINTED	1	PKT	73.50	B



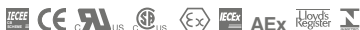
Wire Range : 0.2 - 6.0 mm<sup>2</sup>  
 Current (A) : 41 A  
 Voltage (V) : 1000 V  
 Dimensions Width (Thickness) x Length : 8 x 62.1 mm  
 Height with Din 35 x 7.5 mm Rail : 43 mm

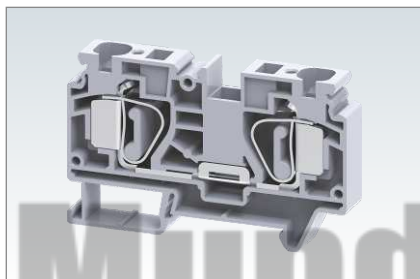
	Part #	Description	Std. Pack	UOM	List Price in	Group
TERMINAL BLOCK	CX6	6 mm <sup>2</sup> FEED THRU SPRING CLAMP TERMINAL	100	EA	29.50	A
	CX6BU	6 mm <sup>2</sup> FEED THRU SPRING CLAMP TB BLUE	100	EA	32.50	A
	CX6BK	6 mm <sup>2</sup> FEED THRU SPRING CLAMP TB BLACK	100	EA	32.50	A
	CX6R	6 mm <sup>2</sup> FEED THRU SPRING CLAMP TB RED	100	EA	32.50	A
	CX6Y	6 mm <sup>2</sup> FEED THRU SPRING CLAMP TB YELLOW	100	EA	32.50	A
	CX6GN	6 mm <sup>2</sup> FEED THRU SPRING CLAMP TB GREEN	100	EA	32.50	A
ACCESSORIES	EPCX6	END PLATE FOR CX6 & CXG6	50	EA	7.30	A
	PPCX10	PARTITION PLATE FOR CX6 & CX10 SERIES	20	EA	10.50	A
	JX6/2	SHORTING LNK FR 8mm WIDE SPRING CLAMP TB	100	EA	20.20	A
	JX6/3	SHORTING LNK FR 8mm WIDE SPRING CLAMP TB	50	EA	34.50	A
	JX6/4	SHORTING LNK FR 8mm WIDE SPRING CLAMP TB	50	EA	48.30	A
	JX6/10	SHORTING LNK FR 8mm WIDE SPRING CLAMP TB	10	EA	115.00	A
	CA509/K8WHT	8 mm WIDE MARKER BLANK	1	PKT	73.50	B
	CA509/K8WP	8 mm WIDE MARKER PRINTED	1	PKT	84.00	B



Wire Range : 0.2 - 10.0 mm<sup>2</sup>  
 Current (A) : 57 A  
 Voltage (V) : 1000 V  
 Dimensions Width (Thickness) x Length : 10 x 71.7 mm  
 Height with Din 35 x 7.5 mm Rail : 49.5 mm



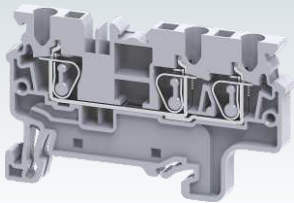
	Part #	Description	Std. Pack	UOM	List Price in	Group
TERMINAL BLOCK	CX10	10 mm <sup>2</sup> FEED THRU SPRING CLAMP TERMINAL	50	EA	58.00	A
	CX10BU	10 mm <sup>2</sup> FEED THRU SPRING CLAMP TB BLUE	50	EA	63.80	A
	CX10BK	10 mm <sup>2</sup> FEED THRU SPRING CLAMP TB BLACK	50	EA	63.80	A
	CX10R	10 mm <sup>2</sup> FEED THRU SPRING CLAMP TB RED	50	EA	63.80	A
	CX10Y	10 mm <sup>2</sup> FEED THRU SPRING CLAMP TB YELLOW	50	EA	63.80	A
	CX10GN	10 mm <sup>2</sup> FEED THRU SPRING CLAMP TB GREEN	50	EA	63.80	A
ACCESSORIES	EPCX10	END PLATE FOR CX10 & CXG10	50	EA	7.40	A
	PPCX10	PARTITION PLATE FOR CX6 & CX10 SERIES	20	EA	10.50	A
	JX10/2	2P SHORT LINK 10mm WIDE SPRING CLAMP TB	20	EA	29.40	A
	CA509/K10WHT	10 mm WIDE MARKER BLANK	1	PKT	80.20	B
	CA509/K10WP	10 mm WIDE MARKER PRINTED	1	PKT	90.70	B



Wire Range : 1.5 - 16.0 mm<sup>2</sup>  
 Current (A) : 76 A  
 Voltage (V) : 800 V  
 Dimensions Width (Thickness) x Length : 12 x 82 mm  
 Height with Din 35 x 7.5 mm Rail : 51.6 mm



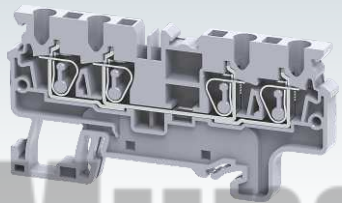
	Part #	Description	Std. Pack	UOM	List Price in	Group
TERMINAL BLOCK	CSC16T	16 mm <sup>2</sup> FEED THRU SPRING CLAMP TERMINAL	50	EA	76.00	A
	CSC16TBU	16 mm <sup>2</sup> FEED THRU SPRING CLAMP TB BLUE	50	EA	83.60	A
	CSC16TBK	16 mm <sup>2</sup> FEED THRU SPRING CLAMP TB BLACK	50	EA	83.60	A
	CSC16TR	16 mm <sup>2</sup> FEED THRU SPRING CLAMP TB RED	50	EA	83.60	A
	CSC16TY	16 mm <sup>2</sup> FEED THRU SPRING CLAMP TB YELLOW	50	EA	83.60	A
	CSC16TGN	16 mm <sup>2</sup> FEED THRU SPRING CLAMP TB GREEN	50	EA	83.60	A
ACCESSORIES	EPCSC16T	END PLATE FOR CSC16T	50	EA	11.80	B
	CA801/5	2P SHRT LINK FR 16mm WIDE SPRNG CLAMP TB	100	EA	55.20	A
	CA509/K12WHT	12 mm WIDE MARKER BLANK	1	PKT	94.50	B
	CA509/K12WP	12 mm WIDE MARKER PRINTED	1	PKT	105.00	B



Wire Range : 0.2 - 2.5 mm<sup>2</sup>  
 Current (A) : 24 A  
 Voltage (V) : 1000 V  
 Dimensions Width (Thickness) x Length : 5 x 62.5 mm  
 Height with Din 35 x 7.5 mm Rail : 38 mm

IECEE CE C US SB US Ex IECEx AEx Lloyd's Register

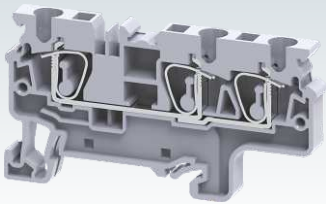
	Part #	Description	Std. Pack	UOM	List Price in	Group
TERMINAL BLOCK	CX2.5/3	2.5 mm <sup>2</sup> FEED THRU SPRING CLAMP 3 WIRE TB	100	EA	20.80	A
	CX2.5/3BU	2.5 mm <sup>2</sup> FEED THRU SP CL 3 WIRE TB BLUE	100	EA	22.90	A
	CX2.5/3BK	2.5 mm <sup>2</sup> FEED THRU SP CL 3 WIRE TB BLACK	100	EA	22.90	A
	CX2.5/3R	2.5 mm <sup>2</sup> FEED THRU SP CL 3 WIRE TB RED	100	EA	22.90	A
	CX2.5/3Y	2.5 mm <sup>2</sup> FEED THRU SP CL 3 WIRE TB YELLOW	100	EA	22.90	A
	CX2.5/3GN	2.5 mm <sup>2</sup> FEED THRU SP CL 3 WIRE TB GREEN	100	EA	22.90	A
ACCESSORIES	EPCX2.5/3	END PLATE FOR CX2.5/3 & CXG2.5/3	50	EA	5.90	A
	PPCX4/3	PARTITION PLATE FOR CX2.5 & CX4 SERIES	50	EA	9.10	A
	JX2.5/2	SHORTING LNK FR 5mm WIDE SPRING CLAMP TB	100	EA	7.30	A
	JX2.5/3	SHORTING LNK FR 5mm WIDE SPRING CLAMP TB	50	EA	12.70	A
	JX2.5/4	SHORTING LNK FR 5mm WIDE SPRING CLAMP TB	50	EA	23.00	A
	JX2.5/10	SHORTING LNK FR 5mm WIDE SPRING CLAMP TB	10	EA	59.80	A
	CA509/K5WHT	5 mm WIDE MARKER BLANK	1	PKT	64.40	B
	CA509/K5WP	5 mm WIDE MARKER PRINTED	1	PKT	73.50	B



Wire Range : 0.2 - 2.5 mm<sup>2</sup>  
 Current (A) : 24 A  
 Voltage (V) : 1000 V  
 Dimensions Width (Thickness) x Length : 5 x 74.7 mm  
 Height with Din 35 x 7.5 mm Rail : 38 mm

IECEE CE C US SB US Ex IECEx AEx Lloyd's Register

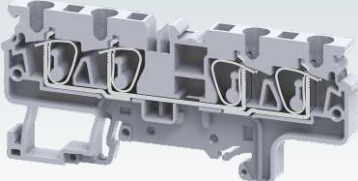
	Part #	Description	Std. Pack	UOM	List Price in	Group
TERMINAL BLOCK	CX2.5/4	2.5 mm <sup>2</sup> FEED THRU SPRING CLAMP 4 WIRE TB	100	EA	23.00	A
	CX2.5/4BU	2.5 mm <sup>2</sup> FEED THRU SP CL 4 WIRE TB BLUE	100	EA	25.30	A
	CX2.5/4BK	2.5 mm <sup>2</sup> FEED THRU SP CL 4 WIRE TB BLACK	100	EA	25.30	A
	CX2.5/4R	2.5 mm <sup>2</sup> FEED THRU SP CL 4 WIRE TB RED	100	EA	25.30	A
	CX2.5/4Y	2.5 mm <sup>2</sup> FEED THRU SP CL 4 WIRE TB YELLOW	100	EA	25.30	A
	CX2.5/4GN	2.5 mm <sup>2</sup> FEED THRU SP CL 4 WIRE TB GREEN	100	EA	25.30	A
ACCESSORIES	EPCX2.5/4	END PLATE FOR CX2.5/4&CXK2.5/4&CXG2.5/4	50	EA	6.20	A
	PPCX4/4	PARTITION PLATE FOR CX2.5/4&CX4/4 SERIES	50	EA	12.10	A
	JX2.5/2	SHORTING LNK FR 5mm WIDE SPRING CLAMP TB	100	EA	7.30	A
	JX2.5/3	SHORTING LNK FR 5mm WIDE SPRING CLAMP TB	50	EA	12.70	A
	JX2.5/4	SHORTING LNK FR 5mm WIDE SPRING CLAMP TB	50	EA	23.00	A
	JX2.5/10	SHORTING LNK FR 5mm WIDE SPRING CLAMP TB	10	EA	59.80	A
	CA509/K5WHT	5 mm WIDE MARKER BLANK	1	PKT	64.40	B
	CA509/K5WP	5 mm WIDE MARKER PRINTED	1	PKT	73.50	B












Wire Range : 0.2 - 4.0 mm<sup>2</sup>  
 Current (A) : 32 A  
 Voltage (V) : 1000 V  
 Dimensions Width (Thickness) x Length : 6 x 70.5 mm  
 Height with Din 35 x 7.5 mm Rail : 38 mm

IECEE CE C US SB US Ex IECEx AEx Lloyd's Register

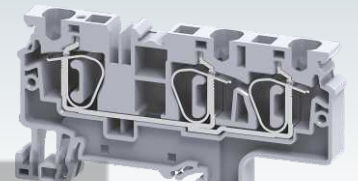
	Part #	Description	Std. Pack	UOM	List Price in	Group
TERMINAL BLOCK	CX4/3	4 mm <sup>2</sup> FEED THRU SPRING CLAMP 3 WIRE TB	50	EA	28.00	A
	CX4/3BU	4 mm <sup>2</sup> FEED THRU SP CL 3 WIRE TB BLUE	50	EA	30.80	A
	CX4/3BK	4 mm <sup>2</sup> FEED THRU SP CL 3 WIRE TB BLACK	50	EA	30.80	A
	CX4/3R	4 mm <sup>2</sup> FEED THRU SP CL 3 WIRE TB RED	50	EA	30.80	A
	CX4/3Y	4 mm <sup>2</sup> FEED THRU SP CL 3 WIRE TB YELLOW	50	EA	30.80	A
	CX4/3GN	4 mm <sup>2</sup> FEED THRU SP CL 3 WIRE TB GREEN	50	EA	30.80	A
ACCESSORIES	EPCX4/3	END PLATE FOR CX4/3 & CXG4/3	50	EA	7.40	A
	PPCX4/3	PARTITION PLATE FOR CX2.5 & CX4 SERIES	50	EA	9.10	A
	JX4/2	SHORTING LNK FR 5mm WIDE SPRING CLAMP TB	100	EA	13.30	A
	JX4/3	SHORTING LNK FR 5mm WIDE SPRING CLAMP TB	50	EA	23.00	A
	JX4/4	SHORTING LNK FR 5mm WIDE SPRING CLAMP TB	50	EA	34.50	A
	JX4/10	SHORTING LNK FR 5mm WIDE SPRING CLAMP TB	10	EA	80.50	A
	CA509/K6WHT	6 mm WIDE MARKER BLANK	1	PKT	64.40	B
	CA509/K6WP	6 mm WIDE MARKER PRINTED	1	PKT	73.50	B












Wire Range : 0.2 - 4.0 mm<sup>2</sup>  
 Current (A) : 32 A  
 Voltage (V) : 1000 V  
 Dimensions Width (Thickness) x Length : 6 x 86.2 mm  
 Height with Din 35 x 7.5 mm Rail : 38 mm

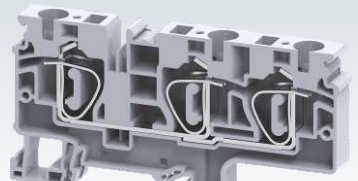
	Part #	Description	Std. Pack	UOM	List Price in	Group
TERMINAL BLOCK	CX4/4	4 mm <sup>2</sup> FEED THRU SPRING CLAMP 4 WIRE TB	50	EA	33.00	A
	CX4/4BU	4 mm <sup>2</sup> FEED THRU SP CL 4 WIRE TB BLUE	50	EA	36.30	A
	CX4/4BK	4 mm <sup>2</sup> FEED THRU SP CL 4 WIRE TB BLACK	50	EA	36.30	A
	CX4/4R	4 mm <sup>2</sup> FEED THRU SP CL 4 WIRE TB RED	50	EA	36.30	A
	CX4/4Y	4 mm <sup>2</sup> FEED THRU SP CL 4 WIRE TB YELLOW	50	EA	36.30	A
	CX4/4GN	4 mm <sup>2</sup> FEED THRU SP CL 4 WIRE TB GREEN	50	EA	36.30	A
ACCESSORIES	EPCX4/4	END PLATE FOR CX4/4 & CXG4/4	50	EA	8.80	A
	PPCX4/4	PARTITION PLATE FOR CX2.5/4&CX4/4 SERIES	50	EA	12.10	A
	JX4/2	SHORTING LNK FR 5mm WIDE SPRING CLAMP TB	100	EA	13.30	A
	JX4/3	SHORTING LNK FR 5mm WIDE SPRING CLAMP TB	50	EA	23.00	A
	JX4/4	SHORTING LNK FR 5mm WIDE SPRING CLAMP TB	50	EA	34.50	A
	JX4/10	SHORTING LNK FR 5mm WIDE SPRING CLAMP TB	10	EA	80.50	A
	CA509/K6WHT	6 mm WIDE MARKER BLANK	1	PKT	64.40	B
	CA509/K6WP	6 mm WIDE MARKER PRINTED	1	PKT	73.50	B









Wire Range : 0.2 - 6.0 mm<sup>2</sup>  
 Current (A) : 41 A  
 Voltage (V) : 1000 V  
 Dimensions Width (Thickness) x Length : 8 x 82.2 mm  
 Height with Din 35 x 7.5 mm Rail : 43 mm

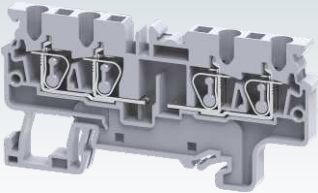
	Part #	Description	Std. Pack	UOM	List Price in	Group
TERMINAL BLOCK	CX6/3	6 mm <sup>2</sup> FEED THRU SPRING CLAMP 3 WIRE TB	50	EA	65.00	A
	CX6/3BU	6 mm <sup>2</sup> FEED THRU SP CL 3 WIRE TB BLUE	50	EA	71.50	A
	CX6/3BK	6 mm <sup>2</sup> FEED THRU SP CL 3 WIRE TB BLACK	50	EA	71.50	A
	CX6/3R	6 mm <sup>2</sup> FEED THRU SP CL 3 WIRE TB RED	50	EA	71.50	A
	CX6/3Y	6 mm <sup>2</sup> FEED THRU SP CL 3 WIRE TB YELLOW	50	EA	71.50	A
	CX6/3GN	6 mm <sup>2</sup> FEED THRU SP CL 3 WIRE TB GREEN	50	EA	71.50	A
ACCESSORIES	EPCX6/3	END PLATE FOR CX6/3 & CXG6/3	50	EA	8.40	A
	JX6/2	SHORTING LNK FR 8mm WIDE SPRING CLAMP TB	100	EA	20.20	A
	JX6/3	SHORTING LNK FR 8mm WIDE SPRING CLAMP TB	50	EA	34.50	A
	JX6/4	SHORTING LNK FR 8mm WIDE SPRING CLAMP TB	50	EA	48.30	A
	JX6/10	SHORTING LNK FR 8mm WIDE SPRING CLAMP TB	10	EA	115.00	A
	CA509/K8WHT	8 mm WIDE MARKER BLANK	1	PKT	73.50	B
	CA509/K8WP	8 mm WIDE MARKER PRINTED	1	PKT	84.00	B



Wire Range : 0.2 - 10.0 mm<sup>2</sup>  
 Current (A) : 57 A  
 Voltage (V) : 1000 V  
 Dimensions Width (Thickness) x Length : 10 x 97.6 mm  
 Height with Din 35 x 7.5 mm Rail : 49.3 mm

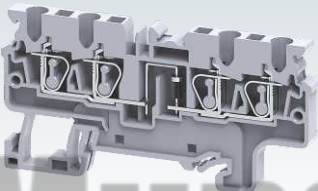
	Part #	Description	Std. Pack	UOM	List Price in	Group
TERMINAL BLOCK	CX10/3	10 mm <sup>2</sup> FEED THRU SPRING CLAMP 3 WIRE TB	50	EA	102.50	A
	CX10/3BU	10 mm <sup>2</sup> FEED THRU SP CL 3 WIRE TB BLUE	50	EA	112.80	A
	CX10/3BK	10 mm <sup>2</sup> FEED THRU SP CL 3 WIRE TB BLACK	50	EA	112.80	A
	CX10/3R	10 mm <sup>2</sup> FEED THRU SP CL 3 WIRE TB RED	50	EA	112.80	A
	CX10/3Y	10 mm <sup>2</sup> FEED THRU SP CL 3 WIRE TB YELLOW	50	EA	112.80	A
	CX10/3GN	10 mm <sup>2</sup> FEED THRU SP CL 3 WIRE TB GREEN	50	EA	112.80	A
ACCESSORIES	EPCX10/3	END PLATE FOR CX10/3 & CXG10/3	20	EA	9.00	A
	JX10/2	2P SHORT LINK 10mm WIDE SPRING CLAMP TB	20	EA	29.40	A
	CA509/K8WHT	8 mm WIDE MARKER BLANK	1	PKT	73.50	B
	CA509/K8WP	8 mm WIDE MARKER PRINTED	1	PKT	84.00	B



Wire Range : 0.2 - 2.5 mm<sup>2</sup>  
 Voltage (V) : 1000 V  
 Dimensions Width (Thickness) x Length : 5 x 74.7 mm  
 Height with Din 35 x 7.5 mm Rail : 38 mm

IECEE CE C US C US

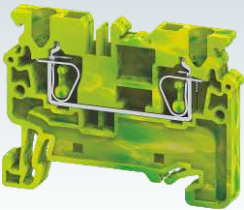
	Part #	Description	Std. Pack	UOM	List Price in	Group
TERMINAL BLOCK	CX2.5/4P	2.5mm <sup>2</sup> DOUBLE FEED THRU SPRING CLAMP	100	EA	95.40	A
ACCESSORIES	EPCX2.5/4	END PLATE FOR CX2.5/4&CXK2.5/4&CXG2.5/4	50	EA	6.20	A
	PPCX4/4	PARTITION PLATE FOR CX2.5/4&CX4/4 SERIES	50	EA	12.10	A
	JX2.5/2	SHORTING LNK FR 5mm WIDE SPRING CLAMP TB	100	EA	7.30	A
	JX2.5/3	SHORTING LNK FR 5mm WIDE SPRING CLAMP TB	50	EA	12.70	A
	JX2.5/4	SHORTING LNK FR 5mm WIDE SPRING CLAMP TB	50	EA	23.00	A
	JX2.5/10	SHORTING LNK FR 5mm WIDE SPRING CLAMP TB	10	EA	59.80	A
	CA509/K5WHT	5 mm WIDE MARKER BLANK	1	PKT	64.40	B
CA509/K5WP	5 mm WIDE MARKER PRINTED	1	PKT	73.50	B	



Wire Range : 0.2 - 2.5 mm<sup>2</sup>  
 Current (A) : 1 A  
 Voltage (V) : 1000 V  
 Dimensions Width (Thickness) x Length : 5 x 74.7 mm  
 Height with Din 35 x 7.5 mm Rail : 38 mm

IECEE CE C US C US Lloyd's Register

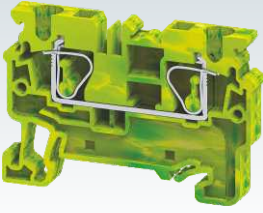
	Part #	Description	Std. Pack	UOM	List Price in	Group
TERMINAL BLOCK	CX2.5/4(E)D1	2.5 mm <sup>2</sup> FD THRU SP CL 4 WIRE DIODE D1 TB	100	EA	92.00	A
ACCESSORIES	EPCX2.5/4	END PLATE FOR CX2.5/4&CXK2.5/4&CXG2.5/4	50	EA	6.20	A
	PPCX4/4	PARTITION PLATE FOR CX2.5/4&CX4/4 SERIES	50	EA	12.10	A
	JX2.5/2	SHORTING LNK FR 5mm WIDE SPRING CLAMP TB	100	EA	7.30	A
	JX2.5/3	SHORTING LNK FR 5mm WIDE SPRING CLAMP TB	50	EA	12.70	A
	JX2.5/4	SHORTING LNK FR 5mm WIDE SPRING CLAMP TB	50	EA	23.00	A
	JX2.5/10	SHORTING LNK FR 5mm WIDE SPRING CLAMP TB	10	EA	59.80	A
	CA509/K5WHT	5 mm WIDE MARKER BLANK	1	PKT	64.40	B
CA509/K5WP	5 mm WIDE MARKER PRINTED	1	PKT	73.50	B	




Wire Range : 0.2 - 2.5 mm<sup>2</sup>  
 Dimensions Width (Thickness) x Length : 5 x 50 mm  
 Height with Din 35 x 7.5 mm Rail : 38 mm

IECEE CE C US C US Ex AEx Lloyd's Register

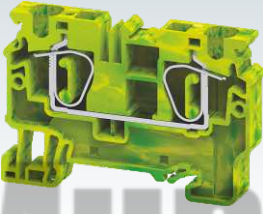
	Part #	Description	Std. Pack	UOM	List Price in	Group
TERMINAL BLOCK	CXG2.5	2.5 mm <sup>2</sup> SPRING CLAMP GROUNDING TB	100	EA	55.00	A
ACCESSORIES	EPCX2.5	END PLATE FOR CX2.5/CXG2.5	50	EA	4.60	A
	PPCX4	PARTITION PLATE FOR CX2.5 & CX4 SERIES	50	EA	7.40	A
	JX2.5/2	SHORTING LNK FR 5mm WIDE SPRING CLAMP TB	100	EA	7.30	A
	JX2.5/3	SHORTING LNK FR 5mm WIDE SPRING CLAMP TB	50	EA	12.70	A
	JX2.5/4	SHORTING LNK FR 5mm WIDE SPRING CLAMP TB	50	EA	23.00	A
	JX2.5/10	SHORTING LNK FR 5mm WIDE SPRING CLAMP TB	10	EA	59.80	A
	CA509/K5WHT	5 mm WIDE MARKER BLANK	1	PKT	64.40	B
CA509/K5WP	5 mm WIDE MARKER PRINTED	1	PKT	73.50	B	




Wire Range : 0.2 - 4.0 mm<sup>2</sup>  
 Dimensions Width (Thickness) x Length : 6 x 54.8 mm  
 Height with Din 35 x 7.5 mm Rail : 38 mm



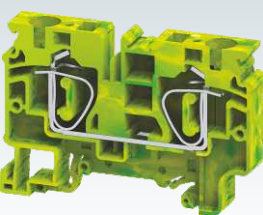
	Part #	Description	Std. Pack	UOM	List Price in	Group
TERMINAL BLOCK	CXG4	4 mm <sup>2</sup> SPRING CLAMP GROUNDING TB	100	EA	57.60	A
ACCESSORIES	EPCX4	END PLATE FOR CX4 & CXG4	50	EA	5.90	A
	PPCX4	PARTITION PLATE FOR CX2.5 & CX4 SERIES	50	EA	7.40	A
	JX4/2	SHORTING LNK FR 5mm WIDE SPRING CLAMP TB	100	EA	13.30	A
	JX4/3	SHORTING LNK FR 5mm WIDE SPRING CLAMP TB	50	EA	23.00	A
	JX4/4	SHORTING LNK FR 5mm WIDE SPRING CLAMP TB	50	EA	34.50	A
	JX4/10	SHORTING LNK FR 5mm WIDE SPRING CLAMP TB	10	EA	80.50	A
	CA509/K6WHT	6 mm WIDE MARKER BLANK	1	PKT	64.40	B
CA509/K6WP	6 mm WIDE MARKER PRINTED	1	PKT	73.50	B	




Wire Range : 0.2 - 6.0 mm<sup>2</sup>  
 Dimensions Width (Thickness) x Length : 8 x 62.1 mm  
 Height with Din 35 x 7.5 mm Rail : 43 mm



	Part #	Description	Std. Pack	UOM	List Price in	Group
TERMINAL BLOCK	CXG6	6 mm <sup>2</sup> FEED THRU SPRING CLAMP GROUND TB	100	EA	114.00	A
ACCESSORIES	EPCX6	END PLATE FOR CX6 & CXG6	50	EA	7.30	A
	PPCX10	PARTITION PLATE FOR CX6 & CX10 SERIES	20	EA	10.50	A
	JX6/2	SHORTING LNK FR 8mm WIDE SPRING CLAMP TB	100	EA	20.20	A
	JX6/3	SHORTING LNK FR 8mm WIDE SPRING CLAMP TB	50	EA	34.50	A
	JX6/4	SHORTING LNK FR 8mm WIDE SPRING CLAMP TB	50	EA	48.30	A
	JX6/10	SHORTING LNK FR 8mm WIDE SPRING CLAMP TB	10	EA	115.00	A
	CA509/K8WHT	8 mm WIDE MARKER BLANK	1	PKT	73.50	B
CA509/K8WP	8 mm WIDE MARKER PRINTED	1	PKT	84.00	B	

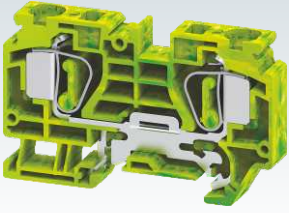


Wire Range : 0.2 - 10.0 mm<sup>2</sup>  
 Dimensions Width (Thickness) x Length : 10 x 71.7 mm  
 Height with Din 35 x 7.5 mm Rail : 49.5 mm




	Part #	Description	Std. Pack	UOM	List Price in	Group
TERMINAL BLOCK	CXG10	10 mm <sup>2</sup> FEED THRU SPRING CLAMP TERMINAL	50	EA	147.00	A
ACCESSORIES	EPCX10	END PLATE FOR CX10 & CXG10	50	EA	7.40	A
	PPCX10	PARTITION PLATE FOR CX6 & CX10 SERIES	20	EA	10.50	A
	JX10/2	2P SHORT LINK 10mm WIDE SPRING CLAMP TB	20	EA	29.40	A
	CA509/K10WHT	10 mm WIDE MARKER BLANK	1	PKT	80.20	B
	CA509/K10WP	10 mm WIDE MARKER PRINTED	1	PKT	90.70	B

## SPRING CLAMP TERMINAL BLOCKS



Wire Range : 1.5 - 16.0 mm<sup>2</sup>  
 Dimensions Width (Thickness) x Length : 12 x 82 mm  
 Height with Din 35 x 7.5 mm Rail : 51.6 mm



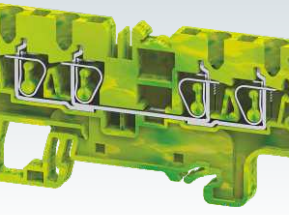
	Part #	Description	Std. Pack	UOM	List Price in	Group
TERMINAL BLOCK	CSCG16T	16 mm <sup>2</sup> FEED THRU SP CL GROUNDING TB	50	EA	177.10	A
	EPCSC16T	END PLATE FOR CSC16T	50	EA	11.80	B
	CA509/K12WHT	12 mm WIDE MARKER BLANK	1	PKT	94.50	B
ACCESSORIES	CA509/K12WHP	12 mm WIDE MARKER PRINTED	1	PKT	105.00	B




Wire Range : 0.2 - 2.5 mm<sup>2</sup>  
 Dimensions Width (Thickness) x Length : 5 x 62.5 mm  
 Height with Din 35 x 7.5 mm Rail : 38 mm



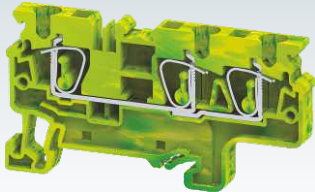
	Part #	Description	Std. Pack	UOM	List Price in	Group
TERMINAL BLOCK	CXG2.5/3	2.5 mm <sup>2</sup> SPRING CLAMP 3 WIRE GROUND TB	100	EA	83.00	A
	EPCX2.5/3	END PLATE FOR CX2.5/3 & CXG2.5/3	50	EA	5.90	A
	PPCX4/3	PARTITION PLATE FOR CX2.5 & CX4 SERIES	50	EA	9.10	A
ACCESSORIES	JX2.5/2	SHORTING LNK FR 5mm WIDE SPRING CLAMP TB	100	EA	7.30	A
	JX2.5/3	SHORTING LNK FR 5mm WIDE SPRING CLAMP TB	50	EA	12.70	A
	JX2.5/4	SHORTING LNK FR 5mm WIDE SPRING CLAMP TB	50	EA	23.00	A
	JX2.5/10	SHORTING LNK FR 5mm WIDE SPRING CLAMP TB	10	EA	59.80	A
	CA509/K5WHT	5 mm WIDE MARKER BLANK	1	PKT	64.40	B
	CA509/K5WHP	5 mm WIDE MARKER PRINTED	1	PKT	73.50	B




Wire Range : 0.2 - 2.5 mm<sup>2</sup>  
 Dimensions Width (Thickness) x Length : 5 x 74.7 mm  
 Height with Din 35 x 7.5 mm Rail : 38 mm



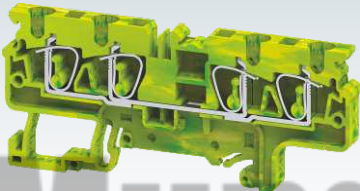
	Part #	Description	Std. Pack	UOM	List Price in	Group
TERMINAL BLOCK	CXG2.5/4	2.5 mm <sup>2</sup> SPRING CLAMP 4 WIRE GROUND TB	100	EA	87.00	A
	EPCX2.5/4	END PLATE FOR CX2.5/4&CXK2.5/4&CXG2.5/4	50	EA	6.20	A
	PPCX4/4	PARTITION PLATE FOR CX2.5/4&CX4/4 SERIES	50	EA	12.10	A
ACCESSORIES	JX2.5/2	SHORTING LNK FR 5mm WIDE SPRING CLAMP TB	100	EA	7.30	A
	JX2.5/3	SHORTING LNK FR 5mm WIDE SPRING CLAMP TB	50	EA	12.70	A
	JX2.5/4	SHORTING LNK FR 5mm WIDE SPRING CLAMP TB	50	EA	23.00	A
	JX2.5/10	SHORTING LNK FR 5mm WIDE SPRING CLAMP TB	10	EA	59.80	A
	CA509/K5WHT	5 mm WIDE MARKER BLANK	1	PKT	64.40	B
	CA509/K5WHP	5 mm WIDE MARKER PRINTED	1	PKT	73.50	B




Wire Range : 0.2 - 4.0 mm<sup>2</sup>  
 Dimensions Width (Thickness) x Length : 6 x 70.5 mm  
 Height with Din 35 x 7.5 mm Rail : 38 mm



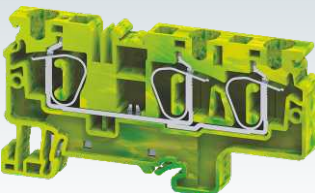
	Part #	Description	Std. Pack	UOM	List Price in	Group
TERMINAL BLOCK	CXG4/3	4 mm <sup>2</sup> SPRING CLAMP 3 WIRE GROUND TB	50	EA	88.20	A
	EPCX4/3	END PLATE FOR CX4/3 & CXG4/3	50	EA	7.40	A
	PPCX4/3	PARTITION PLATE FOR CX2.5 & CX4 SERIES	50	EA	9.10	A
	JX4/2	SHORTING LNK FR 5mm WIDE SPRING CLAMP TB	100	EA	13.30	A
ACCESSORIES	JX4/3	SHORTING LNK FR 5mm WIDE SPRING CLAMP TB	50	EA	23.00	A
	JX4/4	SHORTING LNK FR 5mm WIDE SPRING CLAMP TB	50	EA	34.50	A
	JX4/10	SHORTING LNK FR 5mm WIDE SPRING CLAMP TB	10	EA	80.50	A
	CA509/K6WHT	6 mm WIDE MARKER BLANK	1	PKT	64.40	B
	CA509/K6WP	6 mm WIDE MARKER PRINTED	1	PKT	73.50	B




Wire Range : 0.2 - 4.0 mm<sup>2</sup>  
 Dimensions Width (Thickness) x Length : 6 x 86.2 mm  
 Height with Din 35 x 7.5 mm Rail : 38 mm



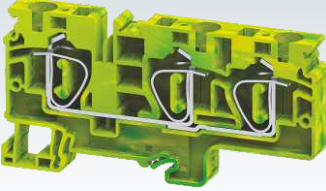
	Part #	Description	Std. Pack	UOM	List Price in	Group
TERMINAL BLOCK	CXG4/4	4 mm <sup>2</sup> SPRING CLAMP 4 WIRE GROUND TB	50	EA	95.50	A
	EPCX4/4	END PLATE FOR CX4/4 & CXG4/4	50	EA	8.80	A
	PPCX4/4	PARTITION PLATE FOR CX2.5/4&CX4/4 SERIES	50	EA	12.10	A
	JX4/2	SHORTING LNK FR 5mm WIDE SPRING CLAMP TB	100	EA	13.30	A
ACCESSORIES	JX4/3	SHORTING LNK FR 5mm WIDE SPRING CLAMP TB	50	EA	23.00	A
	JX4/4	SHORTING LNK FR 5mm WIDE SPRING CLAMP TB	50	EA	34.50	A
	JX4/10	SHORTING LNK FR 5mm WIDE SPRING CLAMP TB	10	EA	80.50	A
	CA509/K6WHT	6 mm WIDE MARKER BLANK	1	PKT	64.40	B
	CA509/K6WP	6 mm WIDE MARKER PRINTED	1	PKT	73.50	B



Wire Range : 0.2 - 6.0 mm<sup>2</sup>  
 Dimensions Width (Thickness) x Length : 8 x 82.2 mm  
 Height with Din 35 x 7.5 mm Rail : 43 mm



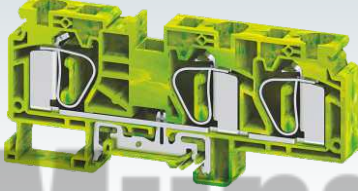
	Part #	Description	Std. Pack	UOM	List Price in	Group
TERMINAL BLOCK	CXG6/3	6 mm <sup>2</sup> SPRING CLAMP 3 WIRE GROUND TB	50	EA	129.90	A
	EPCX6/3	END PLATE FOR CX6/3 & CXG6/3	50	EA	8.40	A
	JX6/2	SHORTING LNK FR 8mm WIDE SPRING CLAMP TB	100	EA	20.20	A
	JX6/3	SHORTING LNK FR 8mm WIDE SPRING CLAMP TB	50	EA	34.50	A
ACCESSORIES	JX6/4	SHORTING LNK FR 8mm WIDE SPRING CLAMP TB	50	EA	48.30	A
	JX6/10	SHORTING LNK FR 8mm WIDE SPRING CLAMP TB	10	EA	115.00	A
	CA509/K8WHT	8 mm WIDE MARKER BLANK	1	PKT	73.50	B
	CA509/K8WP	8 mm WIDE MARKER PRINTED	1	PKT	84.00	B



Wire Range : 0.2 - 10.0 mm<sup>2</sup>  
 Dimensions Width (Thickness) x Length : 10 x 97 mm  
 Height with Din 35 x 7.5 mm Rail : 49.3 mm

CE Ex IECEx AEx Lloyds Register

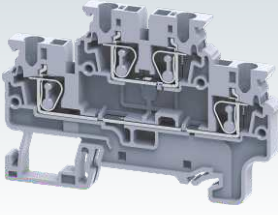
	Part #	Description	Std. Pack	UOM	List Price in	Group
TERMINAL BLOCK	CXG10/3	10 mm <sup>2</sup> SPRING CLAMP 3 WIRE GROUND TB	50	EA	161.00	A
	EPCX10/3	END PLATE FOR CX10/3 & CXG10/3	20	EA	9.00	A
	JX10/2	2P SHORT LINK 10mm WIDE SPRING CLAMP TB	20	EA	29.40	A
ACCESSORIES	CA509/K10WHT	10 mm WIDE MARKER BLANK	1	PKT	80.20	B
	CA509/K10WP	10 mm WIDE MARKER PRINTED	1	PKT	90.70	B



Wire Range : 1.5 - 16.0 mm<sup>2</sup>  
 Dimensions Width (Thickness) x Length : 12 x 82 mm  
 Height with Din 35 x 7.5 mm Rail : 51.6 mm

CE Lloyds Register

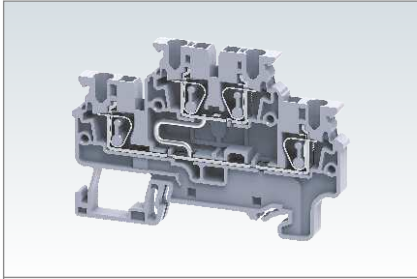
	Part #	Description	Std. Pack	UOM	List Price in	Group
TERMINAL BLOCK	CSCG16/3T	16 mm <sup>2</sup> FEED THRU SP CL GROUNDING TB	50	EA	195.50	A
	EPCSC16T	END PLATE FOR CSC16T	50	EA	11.80	B
	CA509/K12WHT	12 mm WIDE MARKER BLANK	1	PKT	94.50	B
ACCESSORIES	CA509/K12WP	12 mm WIDE MARKER PRINTED	1	PKT	105.00	B



Wire Range : 0.2 - 2.5 mm<sup>2</sup>  
 Current (A) : 24 A  
 Voltage (V) : 1000 V  
 Dimensions Width (Thickness) x Length : 5 x 72.7 mm  
 Height with Din 35 x 7.5 mm Rail : 49.5 mm

IECEE CE cUL US Lloyds Register AEx

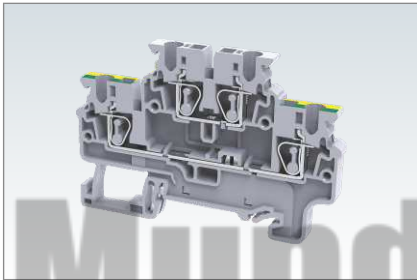
	Part #	Description	Std. Pack	UOM	List Price in	Group
TERMINAL BLOCK	CXDL2.5	2.5 mm <sup>2</sup> 2 LEVEL SPRING CLAMP TERMINAL	50	EA	26.50	A
	CXDL2.5BU	2.5 mm <sup>2</sup> 2 LEVEL SPRING CLAMP TB BLUE	50	EA	29.20	A
	CXDL2.5BK	2.5 mm <sup>2</sup> 2 LEVEL SPRING CLAMP TB BLACK	50	EA	29.20	A
	CXDL2.5R	2.5 mm <sup>2</sup> 2 LEVEL SPRING CLAMP TB RED	50	EA	29.20	A
	CXDL2.5Y	2.5 mm <sup>2</sup> 2 LEVEL SPRING CLAMP TB YELLOW	50	EA	29.20	A
	CXDL2.5GN	2.5 mm <sup>2</sup> 2 LEVEL SPRING CLAMP TB GREEN	50	EA	29.20	A
ACCESSORIES	EPCXDL2.5	END PLATE FOR CXDL2.5 SERIES	50	EA	9.00	A
	JX2.5/2	SHORTING LNK FR 5mm WIDE SPRING CLAMP TB	100	EA	7.30	A
	JX2.5/3	SHORTING LNK FR 5mm WIDE SPRING CLAMP TB	50	EA	12.70	A
	JX2.5/4	SHORTING LNK FR 5mm WIDE SPRING CLAMP TB	50	EA	23.00	A
	JX2.5/10	SHORTING LNK FR 5mm WIDE SPRING CLAMP TB	10	EA	59.80	A
	CA509/K5WHT	5 mm WIDE MARKER BLANK	1	PKT	64.40	B
	CA509/K5WP	5 mm WIDE MARKER PRINTED	1	PKT	73.50	B



Wire Range : 0.2 - 2.5 mm<sup>2</sup>  
 Current (A) : 24 A  
 Voltage (V) : 1000 V  
 Dimensions Width (Thickness) x Length : 5 x 72.7 mm  
 Height with Din 35 x 7.5 mm Rail : 49.5 mm



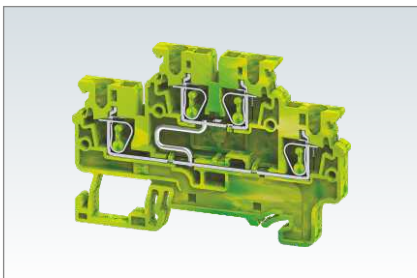
	Part #	Description	Std. Pack	UOM	List Price in	Group
TERMINAL BLOCK	CXDL2.5(I.S)	2.5 mm <sup>2</sup> 2 LVL SPRING CLAMP INT SHRTD TB	50	EA	36.30	A
ACCESSORIES	EPCXDL2.5	END PLATE FOR CXDL2.5 SERIES	50	EA	9.00	A
	JX2.5/2	SHORTING LNK FR 5mm WIDE SPRING CLAMP TB	100	EA	7.30	A
	JX2.5/3	SHORTING LNK FR 5mm WIDE SPRING CLAMP TB	50	EA	12.70	A
	JX2.5/4	SHORTING LNK FR 5mm WIDE SPRING CLAMP TB	50	EA	23.00	A
	JX2.5/10	SHORTING LNK FR 5mm WIDE SPRING CLAMP TB	10	EA	59.80	A
	CA509/K5WHT	5 mm WIDE MARKER BLANK	1	PKT	64.40	B
	CA509/K5WP	5 mm WIDE MARKER PRINTED	1	PKT	73.50	B



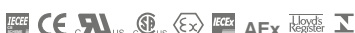
Wire Range : 0.2 - 2.5 mm<sup>2</sup>  
 Current (A) : 24 A  
 Voltage (V) : 1000 V  
 Dimensions Width (Thickness) x Length : 5 x 72.7 mm  
 Height with Din 35 x 7.5 mm Rail : 49.5 mm



	Part #	Description	Std. Pack	UOM	List Price in	Group
TERMINAL BLOCK	CXDLG2.5	2.5 mm <sup>2</sup> FEED THRU + GRND SPRING CLAMP TB	50	EA	80.70	A
ACCESSORIES	EPCXDL2.5	END PLATE FOR CXDL2.5 SERIES	50	EA	9.00	A
	JX2.5/2	SHORTING LNK FR 5mm WIDE SPRING CLAMP TB	100	EA	7.30	A
	JX2.5/3	SHORTING LNK FR 5mm WIDE SPRING CLAMP TB	50	EA	12.70	A
	JX2.5/4	SHORTING LNK FR 5mm WIDE SPRING CLAMP TB	50	EA	23.00	A
	JX2.5/10	SHORTING LNK FR 5mm WIDE SPRING CLAMP TB	10	EA	59.80	A
	CA509/K5WHT	5 mm WIDE MARKER BLANK	1	PKT	64.40	B
	CA509/K5WP	5 mm WIDE MARKER PRINTED	1	PKT	73.50	B

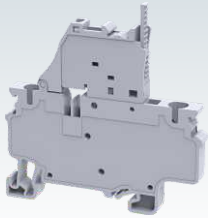


Wire Range : 0.2 - 2.5 mm<sup>2</sup>  
 Dimensions Width (Thickness) x Length : 5 x 72.7 mm  
 Height with Din 35 x 7.5 mm Rail : 49.5 mm











	Part #	Description	Std. Pack	UOM	List Price in	Group
TERMINAL BLOCK	CXDLG2.5(I.S)	2.5 mm <sup>2</sup> 2 LEVEL SPRING CLAMP GROUND TB	50	EA	92.20	A
ACCESSORIES	EPCXDL2.5	END PLATE FOR CXDL2.5 SERIES	50	EA	9.00	A
	JX2.5/2	SHORTING LNK FR 5mm WIDE SPRING CLAMP TB	100	EA	7.30	A
	JX2.5/3	SHORTING LNK FR 5mm WIDE SPRING CLAMP TB	50	EA	12.70	A
	JX2.5/4	SHORTING LNK FR 5mm WIDE SPRING CLAMP TB	50	EA	23.00	A
	JX2.5/10	SHORTING LNK FR 5mm WIDE SPRING CLAMP TB	10	EA	59.80	A
	CA509/K5WHT	5 mm WIDE MARKER BLANK	1	PKT	64.40	B
	CA509/K5WP	5 mm WIDE MARKER PRINTED	1	PKT	73.50	B

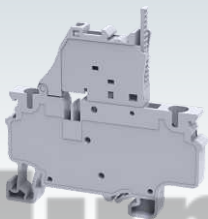
## SPRING CLAMP TERMINAL BLOCKS











Wire Range : 0.2 - 4.0 mm<sup>2</sup>  
 Current (A) : 10 A  
 Voltage (V) : 1000 V  
 Dimensions Width (Thickness) x Length : 6 x 65.4 mm  
 Height with Din 35 x 7.5 mm Rail : 69.1 mm

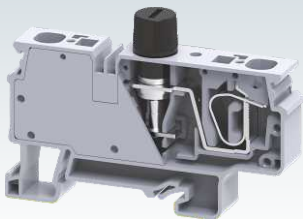
	Part #	Description	Std. Pack	UOM	List Price in	Group
TERMINAL BLOCK	CXF4	4mm <sup>2</sup> Ø5X20mm SPRING CLAMP FUSE TB	50	EA	51.00	A
	CXF4BU	4mm <sup>2</sup> Ø5X20mm SPRING CLAMP FUSE TB BLU	50	EA	56.10	A
	CXF4BK	4mm <sup>2</sup> Ø5X20mm SPRING CLAMP FUSE TB BLK	50	EA	56.10	A
ACCESSORIES	PPCX4/3	PARTITION PLATE FOR CX2.5 & CX4 SERIES	50	EA	9.10	A
	JX4/2	SHORTING LNK FR 5mm WIDE SPRING CLAMP TB	100	EA	13.30	A
	JX4/3	SHORTING LNK FR 5mm WIDE SPRING CLAMP TB	50	EA	23.00	A
	JX4/4	SHORTING LNK FR 5mm WIDE SPRING CLAMP TB	50	EA	34.50	A
	JX4/10	SHORTING LNK FR 5mm WIDE SPRING CLAMP TB	10	EA	80.50	A
	CA509/K6WHT	6 mm WIDE MARKER BLANK	1	PKT	64.40	B
	CA509/K6WP	6 mm WIDE MARKER PRINTED	1	PKT	73.50	B






Wire Range : 0.2 - 4.0 mm<sup>2</sup>  
 Current (A) : 10 A  
 Voltage (V) : 1000 V  
 Dimensions Width (Thickness) x Length : 6 x 65.4 mm  
 Height with Din 35 x 7.5 mm Rail : 69.1 mm

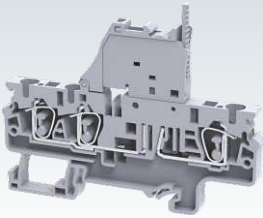
	Part #	Description	Std. Pack	UOM	List Price in	Group
TERMINAL BLOCK	CXF4L6-60V	4mm <sup>2</sup> Ø5X20mm SPRING CLAMP FUSE TB 6-60V	50	EA	72.00	A
	CXF4L6-60VBK	4mm <sup>2</sup> Ø5X20mm SP CL FUSE TB 6-60V BLK	50	EA	79.20	A
	CXF4L6-60VBU	4mm <sup>2</sup> Ø5X20mm SP CL FUSE TB 6-60V BLU	50	EA	79.20	A
	CXF4L110-240V	4mm <sup>2</sup> Ø5X20mm SPRING CL FUSE TB110-240V	50	EA	72.00	A
	CXF4L110-240VBK	4mm <sup>2</sup> Ø5X20mm SP CL FUSE TB 110-240V BLK	50	EA	79.20	A
	CXF4L110-240VBU	4mm <sup>2</sup> Ø5X20mm SP CL FUSE TB 110-240V BLU	50	EA	79.20	A
ACCESSORIES	PPCX4/3	PARTITION PLATE FOR CX2.5 & CX4 SERIES	50	EA	9.10	A
	JX4/2	SHORTING LNK FR 5mm WIDE SPRING CLAMP TB	100	EA	13.30	A
	JX4/3	SHORTING LNK FR 5mm WIDE SPRING CLAMP TB	50	EA	23.00	A
	JX4/4	SHORTING LNK FR 5mm WIDE SPRING CLAMP TB	50	EA	34.50	A
	JX4/10	SHORTING LNK FR 5mm WIDE SPRING CLAMP TB	10	EA	80.50	A
	CA509/K6WHT	6 mm WIDE MARKER BLANK	1	PKT	64.40	B
	CA509/K6WP	6 mm WIDE MARKER PRINTED	1	PKT	73.50	B




Wire Range CXVF : 0.2 - 6.0 mm<sup>2</sup>  
 CXVF2.5 : 0.2 - 2.5 mm<sup>2</sup>  
 I/P Wire : 0.2 - 6.0 mm<sup>2</sup>  
 O/P Wire : 0.2 - 2.5 mm<sup>2</sup>  
 Current (A) : 10 A  
 Voltage (V) : 1000 V  
 Dimensions Width (Thickness) x Length : 12 x 75 mm  
 Height with Din 35 x 7.5 mm Rail : 43 mm

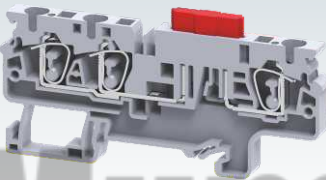
	Part #	Description	Std. Pack	UOM	List Price in	Group
TERMINAL BLOCK	CXVFA	10mm <sup>2</sup> Ø5X20mm FUSE SPRING CL TERMINAL	50	EA	190.00	A
	CXVF2.5A	10mm <sup>2</sup> I/P 2X2.5mm <sup>2</sup> O/P Ø5X20mm FUSE SPCLTB	50	EA	180.00	A
ACCESSORIES	JX4/4	4 POLE SHRT LNK FR 6MM WIDE SP CL TB	50	EA	34.50	A
	JX4/8	8 POLE SHRT LNK FR 6MM WIDE SP CL TB	10	EA	57.50	A
	JX4/10	10 POLE SHRT LNK FR 6MM WIDE SP CL TB	10	EA	80.50	A
	CA509/K12WHT	12 mm WIDE MARKER BLANK	1	PKT	94.50	B
	CA509/K12WP	12 mm WIDE MARKER PRINTED	1	PKT	105.00	B




Wire Range : 0.2 - 4.0 mm<sup>2</sup>  
 Current (A) : 10 A  
 Voltage (V) : 1000 V  
 Dimensions Width (Thickness) x Length : 6 x 86.2 mm  
 Height with Din 35 x 7.5 mm Rail : 69.1 mm



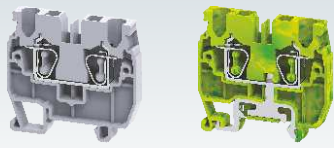
	Part #	Description	Std. Pack	UOM	List Price in	Group
TERMINAL BLOCK	CXF4/3	4mm <sup>2</sup> Ø5X20mm SPRING CLAMP FUSE 3 WIR	50	EA	81.20	A
	CXF4/3L6-60V	4 mm <sup>2</sup> Ø5X20mm SP CL FUSE 3W TB 11	50	EA	98.60	A
	CXF4/3L110-240V	4 mm <sup>2</sup> Ø5X20mm SP CL FUSE 3 WIRE T	50	EA	98.60	A
ACCESSORIES	JX4/2	SHORTING LNK FR 5mm WIDE SPRING CLAMP TB	100	EA	13.30	A
	JX4/3	SHORTING LNK FR 5mm WIDE SPRING CLAMP TB	50	EA	23.00	A
	JX4/4	SHORTING LNK FR 5mm WIDE SPRING CLAMP TB	50	EA	34.50	A
	JX4/10	SHORTING LNK FR 5mm WIDE SPRING CLAMP TB	10	EA	80.50	A
	CA509/K6WHT	6 mm WIDE MARKER BLANK	1	PKT	64.40	B
	CA509/K6WP	6 mm WIDE MARKER PRINTED	1	PKT	73.50	B



Wire Range : 0.2 - 4.0 mm<sup>2</sup>  
 Current (A) : 10 A  
 Voltage (V) : 1000 V  
 Dimensions Width (Thickness) x Length : 6 x 86.2 mm  
 Height with Din 35 x 7.5 mm Rail : 43.2 mm



	Part #	Description	Std. Pack	UOM	List Price in	Group
TERMINAL BLOCK	CXAF4/3	4mm <sup>2</sup> SPRING CLAMP AUTOMOTIVE FUSE 3W	50	EA	156.00	A
ACCESSORIES	JX4/2	SHORTING LNK FR 5mm WIDE SPRING CLAMP TB	100	EA	13.30	A
	JX4/3	SHORTING LNK FR 5mm WIDE SPRING CLAMP TB	50	EA	23.00	A
	JX4/4	SHORTING LNK FR 5mm WIDE SPRING CLAMP TB	50	EA	34.50	A
	JX4/10	SHORTING LNK FR 5mm WIDE SPRING CLAMP TB	10	EA	80.50	A
	CA509/K6WHT	6 mm WIDE MARKER BLANK	1	PKT	64.40	B
	CA509/K6WP	6 mm WIDE MARKER PRINTED	1	PKT	73.50	B



CXM2.5      CXMG2.5

Wire Range : 0.2 - 2.5 mm<sup>2</sup>  
 Current (A) : 24 A  
 Voltage (V) : 1000 V  
 Dimensions Width (Thickness) x Length : 5 x 37 mm  
 Height with Din 15 mm Rail : 35 mm



	Part #	Description	Std. Pack	UOM	List Price in	Group
TERMINAL BLOCK	CXAF4/3	4mm <sup>2</sup> SPRING CLAMP AUTOMOTIVE FUSE 3W	50	EA	156.00	A
	CXM2.5	2.5 mm <sup>2</sup> MINIATURE SPRING CLAMP TB	100	EA	9.20	A
	CXM2.5BU	2.5 mm <sup>2</sup> MINIATURE SPRING CLAMP TB BLUE	100	EA	10.20	A
	CXM2.5BK	2.5 mm <sup>2</sup> MINIATURE SPRING CLAMP TB BLACK	100	EA	10.20	A
	CXMG2.5	2.5mm <sup>2</sup> SP CL GROUND TB FR DIN15 RAIL	100	EA	40.30	A
ACCESSORIES	EPCXM2.5	END PLATE FOR CXM2.5	50	EA	5.00	A
	JX2.5/2	SHORTING LNK FR 5mm WIDE SPRING CLAMP TB	100	EA	7.30	A
	JX2.5/3	SHORTING LNK FR 5mm WIDE SPRING CLAMP TB	50	EA	12.70	A
	JX2.5/4	SHORTING LNK FR 5mm WIDE SPRING CLAMP TB	50	EA	23.00	A
	JX2.5/10	SHORTING LNK FR 5mm WIDE SPRING CLAMP TB	10	EA	59.80	A
	MS5WHT	5 MM WIDE MARKER (STRIP) BLANK	1	PKT	64.40	A
	MS5WP	5 MM WIDE MARKER (STRIP) PRINTED	1	PKT	73.50	A

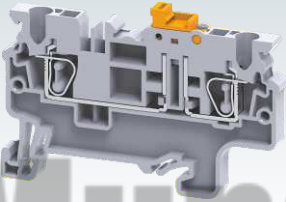
## SPRING CLAMP TERMINAL BLOCKS




Wire Range : 0.2 - 2.5 mm<sup>2</sup>  
 Current : 24 A  
 Voltage : 800 V  
 Dimensions Width (Thickness) x Length : 5 x 31 mm  
 Height with Din 35 x 7.5 mm Rail : 30.15 mm



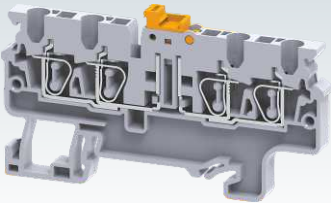
	Part #	Description	Std. Pack	UOM	List Price in	Group
TERMINAL BLOCK	CMS2.5	2.5 mm <sup>2</sup> SPRING CL TB FOR DIN15 RAIL	100	EA	9.90	A
ACCESSORIES	EPCMS2.5	END PLATE FOR CMS2.5	50	EA	4.90	A
	CA509/K5WHT	5 mm WIDE MARKER BLANK	1	PKT	64.40	B
	CA509/K5WP	5 mm WIDE MARKER PRINTED	1	PKT	73.50	B




Wire Range : 0.2 - 2.5 mm<sup>2</sup>  
 Current (A) : 20 A  
 Voltage (V) : 1000 V  
 Dimensions Width (Thickness) x Length : 5 x 62.2 mm  
 Height with Din 35 x 7.5 mm Rail : 42.3 mm



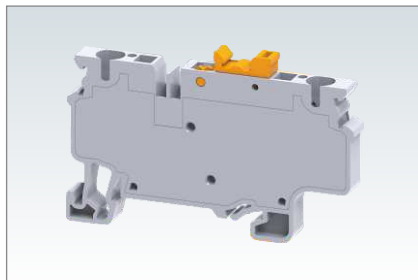
	Part #	Description	Std. Pack	UOM	List Price in	Group
TERMINAL BLOCK	CXK2.5	2.5mm <sup>2</sup> 2 WIRE KNIFE DISCON SPRING CL TB	100	EA	36.00	A
	CXK2.5BU	2.5mm <sup>2</sup> 2 WIRE KNIFE DISCON SP CL BLUE	100	EA	39.60	A
ACCESSORIES	EPCX2.5/3	PARTITION PLATE FOR CX2.5 & CX4 SERIES	50	EA	5.90	A
	PPCX4/3	PARTITION PLATE FOR CX2.5/3&CX4/3 SERIES	50	EA	9.10	A
	JX2.5/2	SHORTING LNK FR 5mm WIDE SPRING CLAMP TB	100	EA	7.30	A
	JX2.5/3	SHORTING LNK FR 5mm WIDE SPRING CLAMP TB	50	EA	12.70	A
	JX2.5/4	SHORTING LNK FR 5mm WIDE SPRING CLAMP TB	50	EA	23.00	A
	JX2.5/10	SHORTING LNK FR 5mm WIDE SPRING CLAMP TB	10	EA	59.80	A
	CA509/K5WHT	5 mm WIDE MARKER BLANK	1	PKT	64.40	B
	CA509/K5WP	5 mm WIDE MARKER PRINTED	1	PKT	73.50	B



Wire Range : 0.2 - 2.5 mm<sup>2</sup>  
 Current (A) : 20 A  
 Voltage (V) : 1000 V  
 Dimensions Width (Thickness) x Length : 5 x 74.7 mm  
 Height with Din 35 x 7.5 mm Rail : 42.3 mm



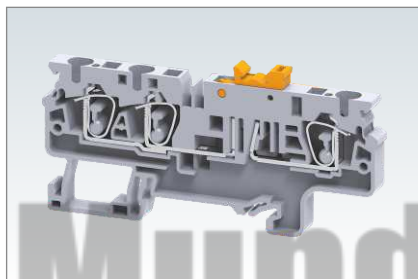
	Part #	Description	Std. Pack	UOM	List Price in	Group
TERMINAL BLOCK	CXK2.5/4	2.5mm <sup>2</sup> 4 WIRE KNIFE DISCON SPRING CL TB	50	EA	43.00	A
	CXK2.5/4BU	2.5mm <sup>2</sup> 4 WIRE KNIFE DISCON SP CL TB BLUE	50	EA	47.30	A
ACCESSORIES	EPCX2.5/4	END PLATE FOR CX2.5/4&CXK2.5/4&CXG2.5/4	50	EA	6.20	A
	PPCX4/4	PARTITION PLATE FOR CX2.5/4&CX4/4 SERIES	50	EA	12.10	A
	JX2.5/2	SHORTING LNK FR 5mm WIDE SPRING CLAMP TB	100	EA	7.30	A
	JX2.5/3	SHORTING LNK FR 5mm WIDE SPRING CLAMP TB	50	EA	12.70	A
	JX2.5/4	SHORTING LNK FR 5mm WIDE SPRING CLAMP TB	50	EA	23.00	A
	JX2.5/10	SHORTING LNK FR 5mm WIDE SPRING CLAMP TB	10	EA	59.80	A
	CA509/K5WHT	5 mm WIDE MARKER BLANK	1	PKT	64.40	B
	CA509/K5WP	5 mm WIDE MARKER PRINTED	1	PKT	73.50	B



Wire Range : 0.2 - 4.0 mm<sup>2</sup>  
 Current (A) : 22 A  
 Voltage (V) : 1000 V  
 Dimensions Width (Thickness) x Length : 6 x 65.7 mm  
 Height with Din 35 x 7.5 mm Rail : 42.6 mm



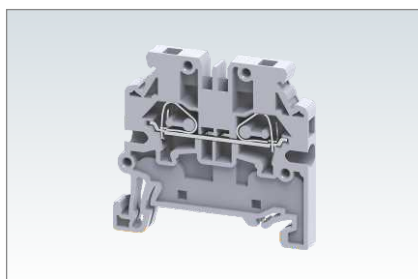
	Part #	Description	Std. Pack	UOM	List Price in	Group
TERMINAL BLOCK	CXK4	4mm <sup>2</sup> 2 WIRE KNIFE DISCON SPRING CL TB	100	EA	69.00	A
	CXK4BU	4mm <sup>2</sup> 2 WIRE KNIFE DISCON SP CL TB BLUE	100	EA	75.90	A
ACCESSORIES	JX4/2	SHORTING LNK FR 5mm WIDE SPRING CLAMP TB	100	EA	13.30	A
	JX4/3	SHORTING LNK FR 5mm WIDE SPRING CLAMP TB	50	EA	23.00	A
	JX4/4	SHORTING LNK FR 5mm WIDE SPRING CLAMP TB	50	EA	34.50	A
	JX4/10	SHORTING LNK FR 5mm WIDE SPRING CLAMP TB	10	EA	80.50	A
	CA509/K6WHT	6 mm WIDE MARKER BLANK	1	PKT	64.40	B
	CA509/K6WP	6 mm WIDE MARKER PRINTED	1	PKT	73.50	B



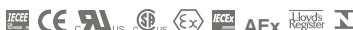
Wire Range : 0.2 - 4.0 mm<sup>2</sup>  
 Current (A) : 28 A  
 Voltage (V) : 1000 V  
 Dimensions Width (Thickness) x Length : 6 x 86.2 mm  
 Height with Din 35 x 7.5 mm Rail : 42.6 mm



	Part #	Description	Std. Pack	UOM	List Price in	Group
TERMINAL BLOCK	CXK4/3	4 mm <sup>2</sup> 3 WIRE KNIFE DISCON SPRING	50	EA	109.30	A
	EPCX4/4	END PLATE FOR CX4/4 & CXG4/4	50	EA	8.80	A
ACCESSORIES	JX4/2	SHORTING LNK FR 5mm WIDE SPRING CLAMP TB	100	EA	13.30	A
	JX4/3	SHORTING LNK FR 5mm WIDE SPRING CLAMP TB	50	EA	23.00	A
	JX4/4	SHORTING LNK FR 5mm WIDE SPRING CLAMP TB	50	EA	34.50	A
	JX4/10	SHORTING LNK FR 5mm WIDE SPRING CLAMP TB	10	EA	80.50	A
	CA509/K6WHT	6 mm WIDE MARKER BLANK	1	PKT	64.40	B
	CA509/K6WP	6 mm WIDE MARKER PRINTED	1	PKT	73.50	B




Wire Range : 0.2 - 2.5 mm<sup>2</sup>  
 Current (A) : 24 A  
 Voltage (V) : 1000 V  
 Dimensions Width (Thickness) x Length : 5 x 45.9 mm  
 Height with Din 35 x 7.5 mm Rail : 43.5 mm












	Part #	Description	Std. Pack	UOM	List Price in	Group
TERMINAL BLOCK	CXS2.5	2.5mm <sup>2</sup> FD THRU SIDE ENTRY SPRING CLMP TB	50	EA	9.00	A
	CXS2.5BU	2.5mm <sup>2</sup> FD THRU SIDE ENTRY SPRING CL BLUE	50	EA	9.90	A
	CXS2.5BK	2.5mm <sup>2</sup> FD THRU SIDE ENTRY SP CL BLACK	50	EA	9.90	A
	CXS2.5R	2.5mm <sup>2</sup> FD THRU SIDE ENTRY SP CL RED	50	EA	9.90	A
	CXS2.5Y	2.5mm <sup>2</sup> FD THRU SIDE ENTRY SP CL YELLOW	50	EA	9.90	A
	CXS2.5GN	2.5mm <sup>2</sup> FD THRU SIDE ENTRY SP CL GREEN	50	EA	9.90	A
ACCESSORIES	EPCXS2.5	END PLATE FOR CXS2.5 & CXSG2.5	50	EA	4.10	A
	JX2.5/2	SHORTING LNK FR 5mm WIDE SPRING CLAMP TB	100	EA	7.30	A
	JX2.5/3	SHORTING LNK FR 5mm WIDE SPRING CLAMP TB	50	EA	12.70	A
	JX2.5/4	SHORTING LNK FR 5mm WIDE SPRING CLAMP TB	50	EA	23.00	A
	JX2.5/10	SHORTING LNK FR 5mm WIDE SPRING CLAMP TB	10	EA	59.80	A
	CA509/K5WHT	5 mm WIDE MARKER BLANK	1	PKT	64.40	B
CA509/K5WP	5 mm WIDE MARKER PRINTED	1	PKT	73.50	B	

## SPRING CLAMP TERMINAL BLOCKS




Wire Range : 0.2 - 2.5 mm<sup>2</sup>  
 Dimensions Width (Thickness) x Length : 5 x 45.9 mm  
 Height with Din 35 x 7.5 mm Rail : 43.5 mm

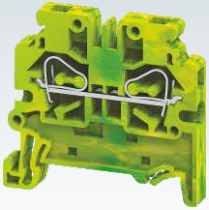
	Part #	Description	Std. Pack	UOM	List Price in	Group
TERMINAL BLOCK	CXSG2.5	2.5mm <sup>2</sup> SIDE ENTRY SPRING CLAMP GROUND TB	50	EA	71.00	A
ACCESSORIES	EPCXS2.5	END PLATE FOR CXS2.5 & CXSG2.5	50	EA	4.10	A
	JX2.5/2	SHORTING LNK FR 5mm WIDE SPRING CLAMP TB	100	EA	7.30	A
	JX2.5/3	SHORTING LNK FR 5mm WIDE SPRING CLAMP TB	50	EA	12.70	A
	JX2.5/4	SHORTING LNK FR 5mm WIDE SPRING CLAMP TB	50	EA	23.00	A
	JX2.5/10	SHORTING LNK FR 5mm WIDE SPRING CLAMP TB	10	EA	59.80	A
	CA509/K5WHT	5 mm WIDE MARKER BLANK	1	PKT	64.40	B
CA509/K5WP	5 mm WIDE MARKER PRINTED	1	PKT	73.50	B	




Wire Range : 0.2 - 4.0 mm<sup>2</sup>  
 Current (A) : 32 A  
 Voltage (V) : 1000 V  
 Dimensions Width (Thickness) x Length : 6 x 45.9 mm  
 Height with Din 35 x 7.5 mm Rail : 43.5 mm



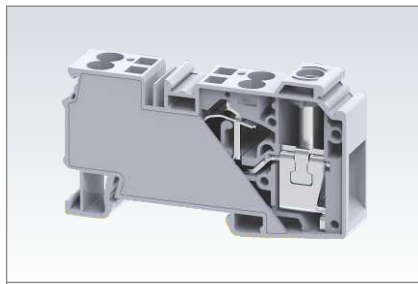
	Part #	Description	Std. Pack	UOM	List Price in	Group
TERMINAL BLOCK	CXS4	4mm <sup>2</sup> FD THRU SIDE ENTRY SPRING CLMP TB	50	EA	14.20	A
	CXS4BU	4mm <sup>2</sup> FD THRU SIDE ENTRY SPRING CL BLUE	50	EA	15.70	A
	CXS4BK	4mm <sup>2</sup> FD THRU SIDE ENTRY SP CL BLACK	50	EA	15.70	A
	CXS4R	4mm <sup>2</sup> FD THRU SIDE ENTRY SP CL RED	50	EA	15.70	A
	CXS4Y	4mm <sup>2</sup> FD THRU SIDE ENTRY SP CL YELLOW	50	EA	15.70	A
	CXS4GN	4mm <sup>2</sup> FD THRU SIDE ENTRY SP CL GREEN	50	EA	15.70	A
ACCESSORIES	EPCXS2.5	END PLATE FOR CXS2.5 & CXSG2.5	50	EA	4.10	A
	JX4/2	SHORTING LNK FR 5mm WIDE SPRING CLAMP TB	100	EA	13.30	A
	JX4/3	SHORTING LNK FR 5mm WIDE SPRING CLAMP TB	50	EA	23.00	A
	JX4/4	SHORTING LNK FR 5mm WIDE SPRING CLAMP TB	50	EA	34.50	A
	JX4/10	SHORTING LNK FR 5mm WIDE SPRING CLAMP TB	10	EA	80.50	A
	CA509/K6WHT	6 mm WIDE MARKER BLANK	1	PKT	64.40	B
	CA509/K6WP	6 mm WIDE MARKER PRINTED	1	PKT	73.50	B



Wire Range : 0.2 - 4.0 mm<sup>2</sup>  
 Dimensions Width (Thickness) x Length : 6 x 45.9 mm  
 Height with Din 35 x 7.5 mm Rail : 43.5 mm



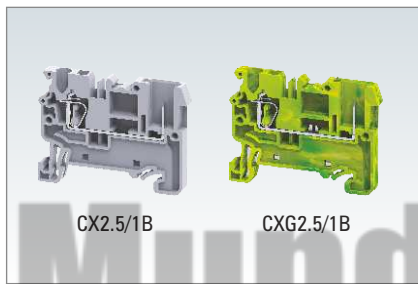
	Part #	Description	Std. Pack	UOM	List Price in	Group
TERMINAL BLOCK	CXSG4	4mm <sup>2</sup> SIDE ENTRY SPRING CLAMP GROUND TB	50	EA	86.00	A
ACCESSORIES	EPCXS2.5	END PLATE FOR CXS2.5 & CXSG2.5	50	EA	4.10	A
	JX4/2	SHORTING LNK FR 5mm WIDE SPRING CLAMP TB	100	EA	13.30	A
	JX4/3	SHORTING LNK FR 5mm WIDE SPRING CLAMP TB	50	EA	23.00	A
	JX4/4	SHORTING LNK FR 5mm WIDE SPRING CLAMP TB	50	EA	34.50	A
	JX4/10	SHORTING LNK FR 5mm WIDE SPRING CLAMP TB	10	EA	80.50	A
	CA509/K6WHT	6 mm WIDE MARKER BLANK	1	PKT	64.40	B
	CA509/K6WP	6 mm WIDE MARKER PRINTED	1	PKT	73.50	B



Wire Range Input : 1.5 - 35.0 mm<sup>2</sup>  
 Wire Range Output : 0.2 - 10.0 mm<sup>2</sup>  
 Current IP / OP : 125 A / 41 A  
 Voltage (V) : 1000 V  
 Dimensions Width (Thickness) x Length : 16 x 81.6 mm  
 Height with Din 35 x 7.5 mm Rail : 46.8 mm



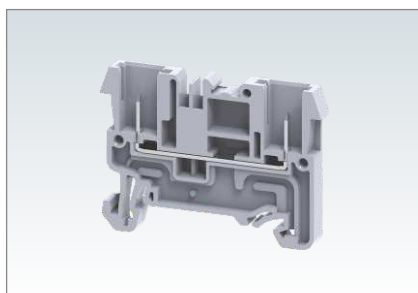
	Part #	Description	Std. Pack	UOM	List Price in	Group
TERMINAL BLOCK	CXDB35/10	1X35mm <sup>2</sup> I/P 4X10mm <sup>2</sup> O/P HYBRID TERMINAL	20	EA	165.00	A
ACCESSORIES	JX6/2	SHORTING LNK FR 8mm WIDE SPRING CLAMP TB	100	EA	20.20	A
	JX6/3	SHORTING LNK FR 8mm WIDE SPRING CLAMP TB	50	EA	34.50	A
	JX6/4	SHORTING LNK FR 8mm WIDE SPRING CLAMP TB	50	EA	48.30	A
	JX6/10	SHORTING LNK FR 8mm WIDE SPRING CLAMP TB	10	EA	115.00	A
	CA509/K8WHT	8 mm WIDE MARKER BLANK	1	PKT	73.50	B
	CA509/K8WP	8 mm WIDE MARKER PRINTED	1	PKT	84.00	B
	CA509/K16WHT	16 mm WIDE MARKER BLANK	1	PKT	94.50	B
	CA509/K16WP	16 mm WIDE MARKER PRINTED	1	PKT	106.40	B



Wire Range : 0.2 - 2.5 mm<sup>2</sup>  
 Current (A) : 24 A  
 Voltage (V) : 500 V  
 Dimensions Width (Thickness) x Length : 5 x 50.8 mm  
 Height with Din 35 x 7.5 mm Rail : 38.2 mm



	Part #	Description	Std. Pack	UOM	List Price in	Group
TERMINAL BLOCK	CX2.5/1B	2.5 mm <sup>2</sup> PLUGABLE SPRNG CL FD THRU TB	100	EA	21.30	A
	CXG2.5/1B	2.5 mm <sup>2</sup> PLUGABLE SPRING CLAMP GROUND	100	EA	71.30	A
ACCESSORIES	EPCX2.5	END PLATE FOR CX2.5/CXG2.5	50	EA	4.60	A
	JX2.5/2	SHORTING LNK FR 5mm WIDE SPRING CLAMP TB	100	EA	7.30	A
	JX2.5/3	SHORTING LNK FR 5mm WIDE SPRING CLAMP TB	50	EA	12.70	A
	JX2.5/4	SHORTING LNK FR 5mm WIDE SPRING CLAMP TB	50	EA	23.00	A
	JX2.5/10	SHORTING LNK FR 5mm WIDE SPRING CLAMP TB	10	EA	59.80	A
	CA509/K5WHT	5 mm WIDE MARKER BLANK	1	PKT	64.40	B
	CA509/K5WP	5 mm WIDE MARKER PRINTED	1	PKT	73.50	B

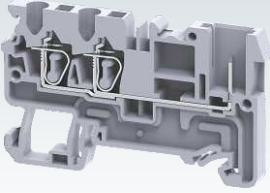


Wire Range : 0.2 - 2.5 mm<sup>2</sup>  
 Current (A) : 24 A  
 Voltage (V) : 500 V  
 Dimensions Width (Thickness) x Length : 5 x 51.2 mm  
 Height with Din 35 x 7.5 mm Rail : 38.2 mm



	Part #	Description	Std. Pack	UOM	List Price in	Group
TERMINAL BLOCK	CX2.5/2B	2.5 mm <sup>2</sup> PLUGABLE FEED THRU TERMINAL	100	EA	20.00	A
	CXG2.5/2B	UD-2.5 mm <sup>2</sup> PLUGABLE GROUND TERMINAL	100	EA	70.00	A
ACCESSORIES	EPCX2.5	END PLATE FOR CX2.5/CXG2.5	50	EA	4.60	A
	PPCX4	PARTITION PLATE FOR CX4	50	EA	7.40	A
	JX2.5/2	SHORTING LNK FR 5mm WIDE SPRING CLAMP TB	100	EA	7.30	A
	JX2.5/3	SHORTING LNK FR 5mm WIDE SPRING CLAMP TB	50	EA	12.70	A
	JX2.5/4	SHORTING LNK FR 5mm WIDE SPRING CLAMP TB	50	EA	23.00	A
	JX2.5/10	SHORTING LNK FR 5mm WIDE SPRING CLAMP TB	10	EA	59.80	A
	CA509/K5WHT	5 mm WIDE MARKER BLANK	1	PKT	64.40	B
	CA509/K5WP	5 mm WIDE MARKER PRINTED	1	PKT	73.50	B

## SPRING CLAMP TERMINAL BLOCKS



Wire Range : 0.2 - 2.5 mm<sup>2</sup>  
 Current (A) : 24 A  
 Voltage (V) : 500 V  
 Dimensions Width (Thickness) x Length : 5 x 63 mm  
 Height with Din 35 x 7.5 mm Rail : 38.2 mm

**CE**

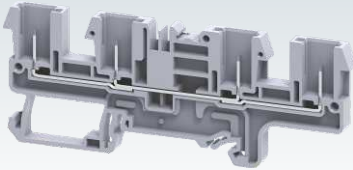
	Part #	Description	Std. Pack	UOM	List Price in	Group
TERMINAL BLOCK	CX2.5/3/1B	2.5mm <sup>2</sup> 3 WIRE 1 PLUGABLE SP CL FD THR TB	100	EA	25.50	A
	CXG2.5/3/1B	2.5 mm <sup>2</sup> 3 WIRE PLUGABLE SP CL GROUND TB	100	EA	86.80	A
ACCESSORIES	EPCX2.5/3	END PLATE FOR CX2.5/3 & CXG2.5/3	50	EA	5.90	A
	PPCX4/3	PARTITION PLATE FOR CX4/3	50	EA	9.10	A
	JX2.5/2	SHORTING LNK FR 5mm WIDE SPRING CLAMP TB	100	EA	7.30	A
	JX2.5/3	SHORTING LNK FR 5mm WIDE SPRING CLAMP TB	50	EA	12.70	A
	JX2.5/4	SHORTING LNK FR 5mm WIDE SPRING CLAMP TB	50	EA	23.00	A
	JX2.5/10	SHORTING LNK FR 5mm WIDE SPRING CLAMP TB	10	EA	59.80	A
	CA509/K5WHT	5 mm WIDE MARKER BLANK	1	PKT	64.40	B
CA509/K5WP	5 mm WIDE MARKER PRINTED	1	PKT	73.50	B	



Wire Range : 0.2 - 2.5 mm<sup>2</sup>  
 Current (A) : 24 A  
 Voltage (V) : 500 V  
 Dimensions Width (Thickness) x Length : 5 x 86 mm  
 Height with Din 35 x 7.5 mm Rail : 45.7 mm

**CE**

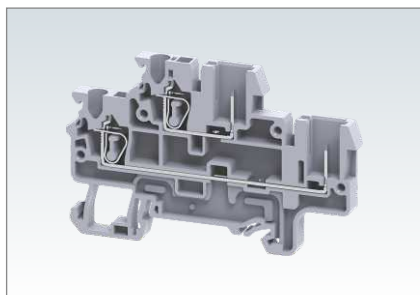
	Part #	Description	Std. Pack	UOM	List Price in	Group
TERMINAL BLOCK	CX2.5/4/2B	2.5 mm <sup>2</sup> 4 WIRE PLUGABLE SP CL TB	100	EA	32.50	A
	CXG2.5/4/2B	2.5 mm <sup>2</sup> 4 WIRE PLUGABLE SP CL GRO	100	EA	100.00	A
ACCESSORIES	EPCX2.5/4/2B	END PLATE FOR CX2.5/4/2B	50	EA	11.20	A
	JX2.5/2	SHORTING LNK FR 5mm WIDE SPRING CLAMP TB	100	EA	7.30	A
	JX2.5/3	SHORTING LNK FR 5mm WIDE SPRING CLAMP TB	50	EA	12.70	A
	JX2.5/4	SHORTING LNK FR 5mm WIDE SPRING CLAMP TB	50	EA	23.00	A
	JX2.5/10	SHORTING LNK FR 5mm WIDE SPRING CLAMP TB	10	EA	59.80	A
	CA509/K5WHT	5 mm WIDE MARKER BLANK	1	PKT	64.40	B
	CA509/K5WP	5 mm WIDE MARKER PRINTED	1	PKT	73.50	B



Wire Range : 0.2 - 2.5 mm<sup>2</sup>  
 Current (A) : 24 A  
 Voltage (V) : 500 V  
 Dimensions Width (Thickness) x Length : 5 x 97.3 mm  
 Height with Din 35 x 7.5 mm Rail : 45.7 mm

**CE**

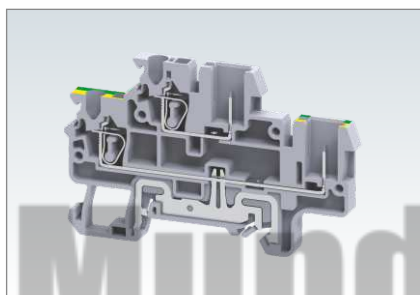
	Part #	Description	Std. Pack	UOM	List Price in	Group
TERMINAL BLOCK	CX2.5/4/4B	2.5 mm <sup>2</sup> 4 WIRE PLUGABLE FEED THRU TB	100	EA	27.50	A
	CXG2.5/4/4B	2.5 mm <sup>2</sup> 4 WIRE PLUGABLE GROUND TB	100	EA	96.30	A
ACCESSORIES	EPCX2.5/4/4B	END PLATE FOR CX2.5/4/4B	50	EA	13.50	A
	JX2.5/2	SHORTING LNK FR 5mm WIDE SPRING CLAMP TB	100	EA	7.30	A
	JX2.5/3	SHORTING LNK FR 5mm WIDE SPRING CLAMP TB	50	EA	12.70	A
	JX2.5/4	SHORTING LNK FR 5mm WIDE SPRING CLAMP TB	50	EA	23.00	A
	JX2.5/10	SHORTING LNK FR 5mm WIDE SPRING CLAMP TB	10	EA	59.80	A
	CA509/K5WHT	5 mm WIDE MARKER BLANK	1	PKT	64.40	B
	CA509/K5WP	5 mm WIDE MARKER PRINTED	1	PKT	73.50	B



Wire Range : 0.2 - 2.5 mm<sup>2</sup>  
 Current (A) : 24 A  
 Voltage (V) : 500 V  
 Dimensions Width (Thickness) x Length : 5 x 78 mm  
 Height with Din 35 x 7.5 mm Rail : 49.5 mm



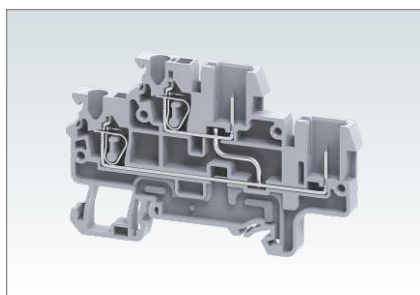
	Part #	Description	Std. Pack	UOM	List Price in	Group
TERMINAL BLOCK	CXDL2.5/2B	2.5 mm <sup>2</sup> 2 LEVEL PLUGABLE SP CL TB	50	EA	50.00	A
ACCESSORIES	EPCXDL2.5/2B	END PLATE FOR CXDL2.5/2B	50	EA	13.50	A
	JX2.5/2	SHORTING LNK FR 5mm WIDE SPRING CLAMP TB	100	EA	7.30	A
	JX2.5/3	SHORTING LNK FR 5mm WIDE SPRING CLAMP TB	50	EA	12.70	A
	JX2.5/4	SHORTING LNK FR 5mm WIDE SPRING CLAMP TB	50	EA	23.00	A
	JX2.5/10	SHORTING LNK FR 5mm WIDE SPRING CLAMP TB	10	EA	59.80	A
	CA509/K5WHT	5 mm WIDE MARKER BLANK	1	PKT	64.40	B
	CA509/K5WP	5 mm WIDE MARKER PRINTED	1	PKT	73.50	B



Wire Range : 0.2 - 2.5 mm<sup>2</sup>  
 Current (A) : 24 A  
 Voltage (V) : 500 V  
 Dimensions Width (Thickness) x Length : 5 x 78 mm  
 Height with Din 35 x 7.5 mm Rail : 49.5 mm

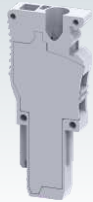


	Part #	Description	Std. Pack	UOM	List Price in	Group
TERMINAL BLOCK	CXDLG2.5/2B	2.5 mm <sup>2</sup> 2 LEVEL PLUGABLE SP CL GN TB	50	EA	145.00	A
ACCESSORIES	EPCXDL2.5/2B	END PLATE FOR CXDL2.5/2B	50	EA	13.50	A
	JX2.5/2	SHORTING LNK FR 5mm WIDE SPRING CLAMP TB	100	EA	7.30	A
	JX2.5/3	SHORTING LNK FR 5mm WIDE SPRING CLAMP TB	50	EA	12.70	A
	JX2.5/4	SHORTING LNK FR 5mm WIDE SPRING CLAMP TB	50	EA	23.00	A
	JX2.5/10	SHORTING LNK FR 5mm WIDE SPRING CLAMP TB	10	EA	59.80	A
	CA509/K5WHT	5 mm WIDE MARKER BLANK	1	PKT	64.40	B
	CA509/K5WP	5 mm WIDE MARKER PRINTED	1	PKT	73.50	B




Wire Range : 0.2 - 2.5 mm<sup>2</sup>  
 Current (A) : 24 A  
 Voltage (V) : 500 V  
 Dimensions Width (Thickness) x Length : 5 x 78 mm  
 Height with Din 35 x 7.5 mm Rail : 49.5 mm

	Part #	Description	Std. Pack	UOM	List Price in	Group
TERMINAL BLOCK	CXDLG2.5/2B(I.S)	2.5 mm <sup>2</sup> 2 LEVEL PLUGABLE GND TB	50	EA	218.80	A
ACCESSORIES	EPCXDL2.5/2B	END PLATE FOR CXDL2.5/2B	50	EA	13.50	A
	JX2.5/2	SHORTING LNK FR 5mm WIDE SPRING CLAMP TB	100	EA	7.30	A
	JX2.5/3	SHORTING LNK FR 5mm WIDE SPRING CLAMP TB	50	EA	12.70	A
	JX2.5/4	SHORTING LNK FR 5mm WIDE SPRING CLAMP TB	50	EA	23.00	A
	JX2.5/10	SHORTING LNK FR 5mm WIDE SPRING CLAMP TB	10	EA	59.80	A
	CA509/K5WHT	5 mm WIDE MARKER BLANK	1	PKT	64.40	B
	CA509/K5WP	5 mm WIDE MARKER PRINTED	1	PKT	73.50	B



Wire Range : 0.2 - 2.5 mm<sup>2</sup>  
 Current (A) : 24 A  
 Voltage (V) : 500 V  
 Dimensions Width (Thickness) x Length : 5 x 17.5 mm  
 Height : 42 mm




	Part #	Description	Std. Pack	UOM	List Price in	Group
TERMINAL BLOCK	CX2.5PN	2.5 mm <sup>2</sup> 1 POLE PLUG SPRING CLAMP TB	50	EA	25.00	A
	CX2.5PLN	2.5 mm <sup>2</sup> 1 POLE PLUG SP CL STACK END TB	50	EA	25.00	A
ACCESSORIES	CA509/K5WHT	5 mm WIDE MARKER BLANK	1	PKT	64.40	B
	CA509/K5WP	5 mm WIDE MARKER PRINTED	1	PKT	73.50	B




Wire Range : 0.2 - 2.5 mm<sup>2</sup>  
 Current (A) : 24 A  
 Voltage (V) : 500 V  
 Dimensions Width (Thickness) x Length : 5 x 18 mm  
 Height : 40 mm




	Part #	Description	Std. Pack	UOM	List Price in	Group
TERMINAL BLOCK	CX2.5SN	2.5 mm <sup>2</sup> 1 POLE SOCKET SPRING CLAMP TB	50	EA	27.50	A
	EPCX2.5SN	END PLATE FOR CX2.5SN	50	EA	4.90	A
ACCESSORIES	CA509/K5WHT	5 mm WIDE MARKER BLANK	1	PKT	64.40	B
	CA509/K5WP	5 mm WIDE MARKER PRINTED	1	PKT	73.50	B















Wire Range : 0.2 - 1.5 mm<sup>2</sup>  
 Current (A) : 17 A  
 Voltage (V) : 500 V  
 Dimensions Width (Thickness) x Length : 5 x 26.5 mm  
 Height (Panel Mount) : 18 mm




	Part #	Description	Std. Pack	UOM	List Price in	Group
TERMINAL BLOCK	CM1.5S	1.5 mm <sup>2</sup> PANEL MOUNT SPRING CLMP 2 WRE TB	100	EA	5.40	A
	CM1.5SBU	1.5 mm <sup>2</sup> PANEL MOUNT SP CL 2 WRE TB BLU	100	EA	6.00	A
	CM1.5SBK	1.5 mm <sup>2</sup> PANEL MOUNT SP CL 2 WRE TB BLK	100	EA	6.00	A
	CM1.5SR	1.5 mm <sup>2</sup> PANEL MOUNT SP CL 2 WRE TB RED	100	EA	6.00	A
	CM1.5SY	1.5 mm <sup>2</sup> PANEL MOUNT SP CL 2 WRE TB YLW	100	EA	6.00	A
	CM1.5SGN	1.5 mm <sup>2</sup> PANEL MOUNT SP CL 2 WRE TB GRN	100	EA	6.00	A
	CM1.5SO	1.5 mm <sup>2</sup> PANEL MOUNT SP CL 2 WRE TB ORANGE	100	EA	6.00	A
	CM1.5SYG	1.5 mm <sup>2</sup> PANEL MOUNT SP CL 2 WRE TB YLW/GRN	100	EA	7.10	A
ACCESSORIES	EPCM1.5S	END PLATE FOR CM1.5S/S2	50	EA	3.00	A
	CA509/K4WHT	5 mm WIDE MARKER BLANK	1	PKT	64.40	B
	CA509/K4WP	5 mm WIDE MARKER PRINTED	1	PKT	73.50	B











Wire Range : 0.2 - 1.5 mm<sup>2</sup>  
 Current (A) : 17 A  
 Voltage (V) : 500 V  
 Dimensions Width (Thickness) x Length : 8 x 26.5 mm  
 Height (Panel Mount) : 18 mm
















	Part #	Description	Std. Pack	UOM	List Price in	Group
TERMINAL BLOCK	CM1.5S2	1.5 mm <sup>2</sup> PANEL MOUNT SPRING CLMP 4 WRE TB	100	EA	9.40	A
	CM1.5S2BU	1.5 mm <sup>2</sup> PANEL MOUNT SP CL 4 WRE BLUE	100	EA	10.30	A
	CM1.5S2BK	1.5 mm <sup>2</sup> PANEL MOUNT SP CL 4 WRE BLACK	100	EA	10.30	A
	CM1.5S2R	1.5 mm <sup>2</sup> PANEL MOUNT SP CL 4 WRE RED	100	EA	10.30	A
	CM1.5S2Y	1.5 mm <sup>2</sup> PANEL MOUNT SP CL 4 WRE YELLOW	100	EA	10.30	A
	CM1.5S2GN	1.5 mm <sup>2</sup> PANEL MOUNT SP CL 4 WRE GREEN	100	EA	10.30	A
	CM1.5S2O	1.5 mm <sup>2</sup> PANEL MOUNT SP CL 4 WRE ORANGE	100	EA	10.30	A
	CM1.5S2YG	1.5 mm <sup>2</sup> PANEL MOUNT SP CL 4 WRE YLW/GRN	100	EA	11.90	A
ACCESSORIES	EPCM1.5S	END PLATE FOR CM1.5S/S2	50	EA	3.00	A
	CA509/K7.5WHT	7.5 mm WIDE MARKER BLANK	1	PKT	64.40	B
	CA509/K7.5WP	7.5 mm WIDE MARKER PRINTED	1	PKT	73.50	B




Wire Range : 0.34 - 2.5 mm<sup>2</sup>  
 Current (A) : 24 A  
 Voltage (V) : 500 V  
 Dimensions Width (Thickness) x Length : 6 x 30 mm  
 Height (Panel Mount) : 20 mm

















	Part #	Description	Std. Pack	UOM	List Price in	Group
TERMINAL BLOCK	CM2.5S	2.5 mm <sup>2</sup> PANEL MOUNT SPRING CLMP 2 WRE TB	100	EA	6.40	A
	CM2.5SBU	2.5 mm <sup>2</sup> PANEL MOUNT SP CL 2 WIRE BLU	100	EA	7.10	A
	CM2.5SBK	2.5 mm <sup>2</sup> PANEL MOUNT SP CL 2 WIRE BLK	100	EA	7.10	A
	CM2.5SR	2.5 mm <sup>2</sup> PANEL MOUNT SP CL 2 WIRE RED	100	EA	7.10	A
	CM2.5SY	2.5 mm <sup>2</sup> PANEL MOUNT SP CL 2 WIRE YLW	100	EA	7.10	A
	CM2.5SGN	2.5 mm <sup>2</sup> PANEL MOUNT SP CL 2 WIRE GRN	100	EA	7.10	A
	CM2.5SO	2.5 mm <sup>2</sup> PANEL MOUNT SP CL 2 WIRE ORG	100	EA	7.10	A
	CM2.5SYG	2.5 mm <sup>2</sup> PANEL MOUNT SP CL 2 WIRE YLW/GRN	100	EA	8.50	A
ACCESSORIES	EPCM2.5S	END PLATE FOR CM2.5S/S2	50	EA	3.20	A
	CA509/K4WHT	5 mm WIDE MARKER BLANK	1	PKT	64.40	B
	CA509/K4WP	5 mm WIDE MARKER PRINTED	1	PKT	73.50	B




Wire Range : 0.34 - 2.5 mm<sup>2</sup>  
 Current (A) : 24 A  
 Voltage (V) : 500 V  
 Dimensions Width (Thickness) x Length : 10 x 30 mm  
 Height (Panel Mount) : 20 mm















	Part #	Description	Std. Pack	UOM	List Price in	Group
TERMINAL BLOCK	CM2.5S2	2.5 mm <sup>2</sup> PANEL MOUNT SPRING CLMP 4 WRE TB	100	EA	11.80	A
	CM2.5S2BU	2.5 mm <sup>2</sup> PANEL MOUNT SP CL 4 WRE TB BLU	100	EA	13.00	A
	CM2.5S2BK	2.5 mm <sup>2</sup> PANEL MOUNT SP CL 4 WRE TB BLK	100	EA	13.00	A
	CM2.5S2R	2.5 mm <sup>2</sup> PANEL MOUNT SP CL 4 WRE TB RED	100	EA	13.00	A
	CM2.5S2Y	2.5 mm <sup>2</sup> PANEL MOUNT SP CL 4 WRE TB YLW	100	EA	13.00	A
	CM2.5S2GN	2.5 mm <sup>2</sup> PANEL MOUNT SP CL 4 WRE TB GRN	100	EA	13.00	A
	CM2.5S2O	2.5 mm <sup>2</sup> PANEL MOUNT SP CL 4 WRE TB ORG	100	EA	13.00	A
	CM2.5S2YG	2.5 mm <sup>2</sup> PANEL MOUNT SP CL 4 WRE TB YLW/GRN	100	EA	14.30	A
ACCESSORIES	EPCM2.5S	END PLATE FOR CM2.5S/S2	50	EA	3.20	A
	CA509/K7.5WHT	7.5 mm WIDE MARKER BLANK	1	PKT	64.40	B
	CA509/K7.5WP	7.5 mm WIDE MARKER PRINTED	1	PKT	73.50	B

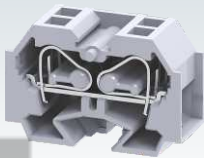
## SPRING CLAMP TERMINAL BLOCKS




Wire Range : 0.2 - 4.0 mm<sup>2</sup>  
 Current (A) : 32 A  
 Voltage (V) : 630 V  
 Dimensions Width (Thickness) x Length : 7 x 33.7 mm  
 Height (Panel Mount) : 23 mm



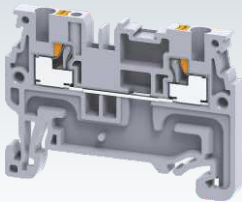
	Part #	Description	Std. Pack	UOM	List Price in	Group
TERMINAL BLOCK	CM4S	4mm <sup>2</sup> PANEL MOUNT SP CL SIDE ENTRY 2W TB	100	EA	10.70	A
	CM4SBU	4mm <sup>2</sup> PANEL MOUNT SP CL SIDE ENTRY 2W BLU	100	EA	11.80	A
	CM4SBK	4mm <sup>2</sup> PANEL MOUNT SP CL SIDE ENTRY 2W BLK	100	EA	11.80	A
	CM4SR	4mm <sup>2</sup> PANEL MOUNT SP CL SIDE ENTRY 2W RED	100	EA	11.80	A
	CM4SY	4mm <sup>2</sup> PANEL MOUNT SP CL SIDE ENTRY 2W YLW	100	EA	11.80	A
	CM4SGN	4mm <sup>2</sup> PANEL MOUNT SP CL SIDE ENTRY 2W GRN	100	EA	11.80	A
	CM4SO	4mm <sup>2</sup> PANEL MOUNT SP CL SIDE ENTRY 2W ORG	100	EA	11.80	A
	CM4SYG	4mm <sup>2</sup> PANEL MNT SP CL SIDE ENTRY 2W YLW/GRN	100	EA	14.00	A
ACCESSORIES	EPCM4S	END PLATE FOR CM4S/S2	50	EA	4.90	A
	CA509/K6WHT	6 mm WIDE MARKER BLANK	1	PKT	64.40	B
	CA509/K6WP	6 mm WIDE MARKER PRINTED	1	PKT	73.50	B




Wire Range : 0.2 - 4.0 mm<sup>2</sup>  
 Current (A) : 32 A  
 Voltage (V) : 630 V  
 Dimensions Width (Thickness) x Length : 12 x 33.7 mm  
 Height (Panel Mount) : 23 mm



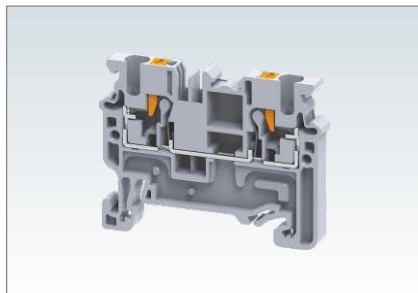
	Part #	Description	Std. Pack	UOM	List Price in	Group
TERMINAL BLOCK	CM4S2	4mm <sup>2</sup> PANEL MOUNT SP CL SIDE ENTRY 4W TB	100	EA	19.00	A
	CM4S2BU	4mm <sup>2</sup> PANEL MOUNT SP CL SIDE ENTRY 4W BLU	100	EA	20.90	A
	CM4S2BK	4mm <sup>2</sup> PANEL MOUNT SP CL SIDE ENTRY 4W BLK	100	EA	20.90	A
	CM4S2R	4mm <sup>2</sup> PANEL MOUNT SP CL SIDE ENTRY 4W RED	100	EA	20.90	A
	CM4S2Y	4mm <sup>2</sup> PANEL MOUNT SP CL SIDE ENTRY 4W YLW	100	EA	20.90	A
	CM4S2GN	4mm <sup>2</sup> PANEL MOUNT SP CL SIDE ENTRY 4W GRN	100	EA	20.90	A
	CM4S2O	4mm <sup>2</sup> PANEL MOUNT SP CL SIDE ENTRY 4W ORG	100	EA	20.90	A
	CM4S2YG	4mm <sup>2</sup> PANEL MNT SP CL SIDE ENTRY 4W YLW/GRN	100	EA	22.90	A
ACCESSORIES	EPCM4S	END PLATE FOR CM4S/S2	50	EA	4.90	A
	CA509/K12WHT	12 mm WIDE MARKER BLANK	1	PKT	94.50	B
	CA509/K12WP	12 mm WIDE MARKER PRINTED	1	PKT	105.00	B



Wire Range : 0.2 - 1.5 mm<sup>2</sup>  
 Current (A) : 15 A  
 Voltage (V) : 800 V  
 Dimensions Width (Thickness) x Length : 3.5 x 45.3 mm  
 Height with Din 35 x 7.5 mm Rail : 32.8 mm



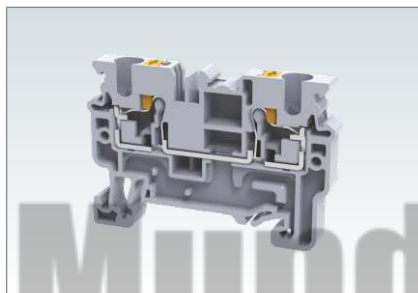
	Part #	Description	Std. Pack	UOM	List Price in	Group
TERMINAL BLOCK	CP1.5	1.5 mm <sup>2</sup> FEED THRU PUSH IN TERMINAL BLOCK	100	EA	9.00	A
	CPG1.5	1.5 mm <sup>2</sup> FEED THRU PUSH IN GROUND TERMINL	100	EA	52.00	A
ACCESSORIES	EPCP1.5	END PLATE FOR CP1.5	50	EA	4.60	A
	JX1.5/2	2 POLE SHRT LNK FR 3.5MM WIDE SP CL TB	100	EA	7.30	A
	JX1.5/3	3 POLE SHRT LNK FR 3.5MM WIDE SP CL TB	50	EA	12.70	A
	JX1.5/4	4 POLE SHRT LNK FR 3.5MM WIDE SP CL TB	50	EA	23.00	A
	JX1.5/10	10 POLE SHRT LNK FR 3.5MM WIDE SP CL TB	10	EA	59.80	A
	MS3.5WHT	3.5 MM WIDE MARKER (STRIP) BLANK	1	PKT	64.40	A
	MS3.5WP	3.5 MM WIDE MARKER (STRIP) PRINTED	1	PKT	73.50	A



Wire Range : 0.2 - 2.5 mm<sup>2</sup>  
 Current (A) : 24 A  
 Voltage (V) : 1000 V  
 Dimensions Width (Thickness) x Length : 5 x 49.7 mm  
 Height with Din 35 x 7.5 mm Rail : 38.25 mm



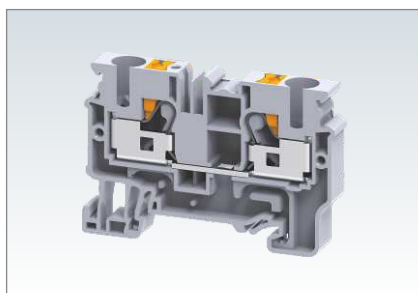
	Part #	Description	Std. Pack	UOM	List Price in	Group
TERMINAL BLOCK	CP2.5	2.5 mm <sup>2</sup> FEED THRU PUSH IN TERMINAL BLOCK	100	EA	10.40	A
	CPG2.5	2.5 mm <sup>2</sup> FEED THRU PUSH IN GROUND TERMINAL	100	EA	63.30	A
ACCESSORIES	EPCX2.5	END PLATE FOR CX2.5/CXG2.5	50	EA	4.60	A
	JX2.5/2	SHORTING LNK FR 5mm WIDE SPRING CLAMP TB	100	EA	7.30	A
	JX2.5/3	SHORTING LNK FR 5mm WIDE SPRING CLAMP TB	50	EA	12.70	A
	JX2.5/4	SHORTING LNK FR 5mm WIDE SPRING CLAMP TB	50	EA	23.00	A
	JX2.5/10	SHORTING LNK FR 5mm WIDE SPRING CLAMP TB	10	EA	59.80	A
	CA509/K5WHT	5 mm WIDE MARKER BLANK	1	PKT	64.40	B
	CA509/K5WP	5 mm WIDE MARKER PRINTED	1	PKT	73.50	B



Wire Range : 0.2 - 4.0 mm<sup>2</sup>  
 Current (A) : 32 A  
 Voltage (V) : 1000 V  
 Dimensions Width (Thickness) x Length : 6 x 54.8 mm  
 Height with Din 35 x 7.5 mm Rail : 38.25 mm



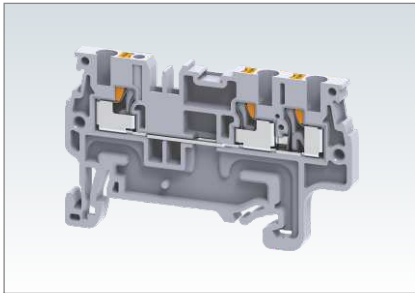
	Part #	Description	Std. Pack	UOM	List Price in	Group
TERMINAL BLOCK	CP4	4 mm <sup>2</sup> FEED THRU PUSH IN TERMINAL BLOCK	50	EA	17.30	A
	CPG4	4 mm <sup>2</sup> PUSH IN GROUND TERMINAL BLOCK	50	EA	75.90	A
ACCESSORIES	EPCX4	END PLATE FOR CX4 & CXG4	50	EA	5.90	A
	JX4/2	2 POLE SHRT LNK FR 6MM WIDE SP CL TB	100	EA	13.30	A
	JX4/3	3 POLE SHRT LNK FR 6MM WIDE SP CL TB	50	EA	23.00	A
	JX4/4	4 POLE SHRT LNK FR 6MM WIDE SP CL TB	50	EA	34.50	A
	JX4/10	10 POLE SHRT LNK FR 6MM WIDE SP CL TB	10	EA	80.50	A
	CA509/K6WHT	6 mm WIDE MARKER BLANK	1	PKT	64.40	B
	CA509/K6WP	CA509/K6-P PRINTED MARKERS WHT	1	PKT	73.50	B



Wire Range : 0.5 - 10 mm<sup>2</sup>  
 Current (A) : 57 A  
 Voltage (V) : 1000 V  
 Dimensions Width (Thickness) x Length : 8 x 62.75 mm  
 Height with Din 35 x 7.5 mm Rail : 43 mm



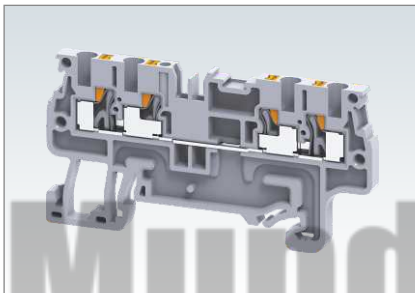
	Part #	Description	Std. Pack	UOM	List Price in	Group
TERMINAL BLOCK	CP6/10	10 mm <sup>2</sup> FEED THRU PUSH IN TERMINAL BLOCK	100	EA	66.70	A
	CPG6/10	10 mm <sup>2</sup> PUSH IN GROUND TERMINAL BLOCK	100	EA	169.10	A
ACCESSORIES	EPCX6	END PLATE FOR CX6 & CXG6	50	EA	7.30	A
	JX6/2	2 POLE SHRT LNK FR 8MM WIDE SP CL TB	100	EA	20.20	A
	JX6/3	3 POLE SHRT LNK FR 8MM WIDE SP CL TB	50	EA	34.50	A
	JX6/4	4 POLE SHRT LNK FR 8MM WIDE SP CL TB	50	EA	48.30	A
	JX6/10	10 POLE SHRT LNK FR 8MM WIDE SP CL TB	10	EA	115.00	A
	CA509/K8WHT	8 mm WIDE MARKER BLANK	1	PKT	73.50	B
	CA509/K8WP	CA509/K8-P PRINTED MARKERS WHT	1	PKT	84.00	B



Wire Range : 0.2 - 1.5 mm<sup>2</sup>  
 Current (A) : 15 A  
 Voltage (V) : 800 V  
 Dimensions Width (Thickness) x Length : 3.5 x 54.5 mm  
 Height with Din 35 x 7.5 mm Rail : 32.8 mm



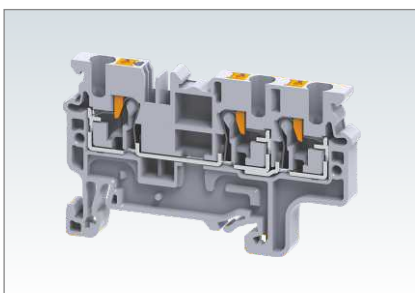
	Part #	Description	Std. Pack	UOM	List Price in	Group
TERMINAL BLOCK	CP1.5/3	1.5 mm <sup>2</sup> FEED THRU 3 WIRE PUSH IN TB	50	EA	20.80	A
	CPG1.5/3	1.5 mm <sup>2</sup> FEED THRU 3 WIRE PUSH IN GND TB	50	EA	70.00	A
ACCESSORIES	EPCP1.5/3	END PLATE FOR CP1.5/3	50	EA	5.90	A
	JX1.5/2	2 POLE SHRT LNK FR 3.5MM WIDE SP CL TB	100	EA	7.30	A
	JX1.5/3	3 POLE SHRT LNK FR 3.5MM WIDE SP CL TB	50	EA	12.70	A
	JX1.5/4	4 POLE SHRT LNK FR 3.5MM WIDE SP CL TB	50	EA	23.00	A
	JX1.5/10	10 POLE SHRT LNK FR 3.5MM WIDE SP CL TB	10	EA	59.80	A
	MS3.5WHT	3.5 MM WIDE MARKER (STRIP) BLANK	1	PKT	64.40	A
	MS3.5WP	3.5 MM WIDE MARKER (STRIP) PRINTED	1	PKT	73.50	A



Wire Range : 0.2 - 1.5 mm<sup>2</sup>  
 Current (A) : 15 A  
 Voltage (V) : 800 V  
 Dimensions Width (Thickness) x Length : 3.5 x 63.5 mm  
 Height with Din 35 x 7.5 mm Rail : 32.8 mm



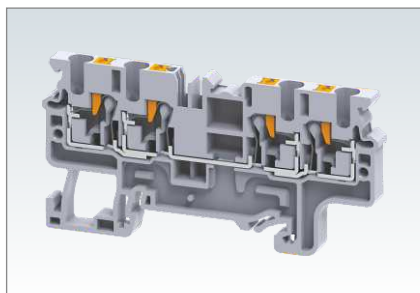
	Part #	Description	Std. Pack	UOM	List Price in	Group
TERMINAL BLOCK	CP1.5/4	1.5 mm <sup>2</sup> FEED THRU 4 WIRE PUSH IN TB	50	EA	23.00	A
	CPG1.5/4	1.5 mm <sup>2</sup> FEED THRU 4 WIRE PUSH IN GND TB	50	EA	87.00	A
ACCESSORIES	EPCP1.5/4	END PLATE FOR CP1.5/4	50	EA	6.20	A
	JX1.5/2	2 POLE SHRT LNK FR 3.5MM WIDE SP CL TB	100	EA	7.30	A
	JX1.5/3	3 POLE SHRT LNK FR 3.5MM WIDE SP CL TB	50	EA	12.70	A
	JX1.5/4	4 POLE SHRT LNK FR 3.5MM WIDE SP CL TB	50	EA	23.00	A
	JX1.5/10	10 POLE SHRT LNK FR 3.5MM WIDE SP CL TB	10	EA	59.80	A
	MS3.5WHT	3.5 MM WIDE MARKER (STRIP) BLANK	1	PKT	64.40	A
	MS3.5WP	3.5 MM WIDE MARKER (STRIP) PRINTED	1	PKT	73.50	A



Wire Range : 0.2 - 2.5 mm<sup>2</sup>  
 Current (A) : 24 A  
 Voltage (V) : 1000 V  
 Dimensions Width (Thickness) x Length : 5 x 62.5 mm  
 Height with Din 35 x 7.5 mm Rail : 38.25 mm



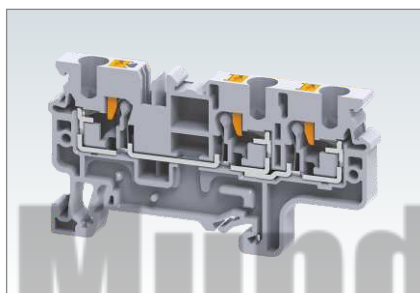
	Part #	Description	Std. Pack	UOM	List Price in	Group
TERMINAL BLOCK	CP2.5/3	2.5mm <sup>2</sup> FEED THRU 3 WIRE PUSH IN TB	100	EA	24.00	A
	CPG2.5/3	2.5mm <sup>2</sup> FEED THRU 3 WIRE PUSH IN GND TB	100	EA	95.50	A
ACCESSORIES	EPCX2.5/3	END PLATE FOR CX2.5/3 & CXG2.5/3	50	EA	5.90	A
	JX2.5/2	SHORTING LNK FR 5mm WIDE SPRING CLAMP TB	100	EA	7.30	A
	JX2.5/3	SHORTING LNK FR 5mm WIDE SPRING CLAMP TB	50	EA	12.70	A
	JX2.5/4	SHORTING LNK FR 5mm WIDE SPRING CLAMP TB	50	EA	23.00	A
	JX2.5/10	SHORTING LNK FR 5mm WIDE SPRING CLAMP TB	10	EA	59.80	A
	CA509/K5WHT	5 mm WIDE MARKER BLANK	1	PKT	64.40	B
	CA509/K5WP	5 mm WIDE MARKER PRINTED	1	PKT	73.50	B



Wire Range : 0.2 - 2.5 mm<sup>2</sup>  
 Current (A) : 24 A  
 Voltage (V) : 1000 V  
 Dimensions Width (Thickness) x Length : 5 x 73 mm  
 Height with Din 35 x 7.5 mm Rail : 38.25 mm



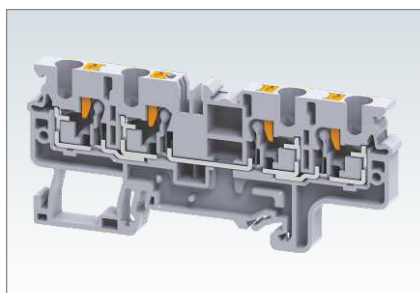
	Part #	Description	Std. Pack	UOM	List Price in	Group
TERMINAL BLOCK	CP2.5/4	2.5mm <sup>2</sup> FEED THRU 4 WIRE PUSH IN TB	50	EA	26.50	A
	CPG2.5/4	2.5mm <sup>2</sup> FEED THRU 4 WIRE PUSH IN GND TB	50	EA	100.10	A
ACCESSORIES	EPCX2.5/4	END PLATE FOR CX2.5/4&CXK2.5/4&CXG2.5/4	50	EA	6.20	A
	JX2.5/2	SHORTING LNK FR 5mm WIDE SPRING CLAMP TB	100	EA	7.30	A
	JX2.5/3	SHORTING LNK FR 5mm WIDE SPRING CLAMP TB	50	EA	12.70	A
	JX2.5/4	SHORTING LNK FR 5mm WIDE SPRING CLAMP TB	50	EA	23.00	A
	JX2.5/10	SHORTING LNK FR 5mm WIDE SPRING CLAMP TB	10	EA	59.80	A
	CA509/K5WHT	5 mm WIDE MARKER BLANK	1	PKT	64.40	B
	CA509/K5WP	5 mm WIDE MARKER PRINTED	1	PKT	73.50	B



Wire Range : 0.2 - 4.0 mm<sup>2</sup>  
 Current (A) : 32 A  
 Voltage (V) : 1000 V  
 Dimensions Width (Thickness) x Length : 6 x 70.5 mm  
 Height with Din 35 x 7.5 mm Rail : 38.25 mm



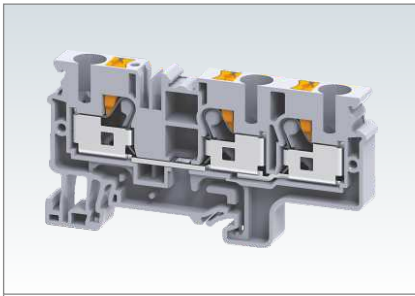
	Part #	Description	Std. Pack	UOM	List Price in	Group
TERMINAL BLOCK	CP4/3	4mm <sup>2</sup> FEED THRU 4 WIRE PUSH IN TB	50	EA	32.20	A
	CPG4/3	4mm <sup>2</sup> FEED THRU 4 WIRE PUSH IN GND TB	50	EA	101.40	A
ACCESSORIES	EPCX4/3	END PLATE FOR CX4/3 & CXG4/3	50	EA	7.40	A
	JX4/2	2 POLE SHRT LNK FR 6MM WIDE SP CL TB	100	EA	13.30	A
	JX4/3	3 POLE SHRT LNK FR 6MM WIDE SP CL TB	50	EA	23.00	A
	JX4/4	4 POLE SHRT LNK FR 6MM WIDE SP CL TB	50	EA	34.50	A
	JX4/10	10 POLE SHRT LNK FR 6MM WIDE SP CL TB	10	EA	80.50	A
	CA509/K6WHT	6 mm WIDE MARKER BLANK	1	PKT	64.40	B
	CA509/K6WP	CA509/K6-P PRINTED MARKERS WHT	1	PKT	73.50	B



Wire Range : 0.2 - 4.0 mm<sup>2</sup>  
 Current (A) : 32 A  
 Voltage (V) : 1000 V  
 Dimensions Width (Thickness) x Length : 6 x 86.2 mm  
 Height with Din 35 x 7.5 mm Rail : 38.25 mm



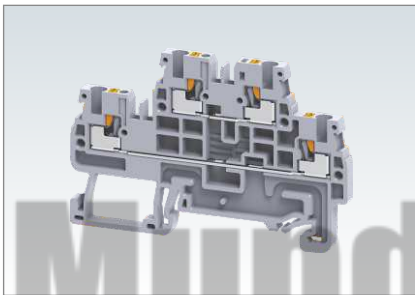
	Part #	Description	Std. Pack	UOM	List Price in	Group
TERMINAL BLOCK	CP4/4	4mm <sup>2</sup> FEED THRU 4 WIRE PUSH IN TB	50	EA	38.00	A
	CPG4/4	4mm <sup>2</sup> FEED THRU 4 WIRE PUSH IN GND TB	50	EA	109.90	A
ACCESSORIES	EPCX4/4	END PLATE FOR CX4/3 & CXG4/3	50	EA	8.80	A
	JX4/2	2 POLE SHRT LNK FR 6MM WIDE SP CL TB	100	EA	13.30	A
	JX4/3	3 POLE SHRT LNK FR 6MM WIDE SP CL TB	50	EA	23.00	A
	JX4/4	4 POLE SHRT LNK FR 6MM WIDE SP CL TB	50	EA	34.50	A
	JX4/10	10 POLE SHRT LNK FR 6MM WIDE SP CL TB	10	EA	80.50	A
	CA509/K6WHT	6 mm WIDE MARKER BLANK	1	PKT	64.40	B
	CA509/K6WP	CA509/K6-P PRINTED MARKERS WHT	1	PKT	73.50	B



Wire Range : 0.5 - 10.0 mm<sup>2</sup>  
 Current (A) : 57 A  
 Voltage (V) : 1000 V  
 Dimensions Width (Thickness) x Length : 8 x 82.85 mm  
 Height with Din 35 x 7.5 mm Rail : 43 mm



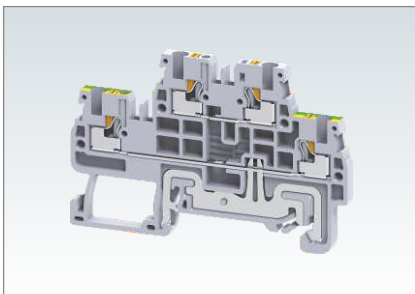
	Part #	Description	Std. Pack	UOM	List Price in	Group
TERMINAL BLOCK	CP6/10/3	10 mm <sup>2</sup> FEED THRU PUSH IN 3 WIRE TB	50	EA	117.90	A
	CPG6/10/3	10 mm <sup>2</sup> 3 WIRE PUSH IN GROUND TERMINAL	50	EA	185.20	A
ACCESSORIES	EPCX6/3	END PLATE FOR CX6/3 & CXG6/3	50	EA	8.40	A
	JX6/2	2 POLE SHRT LNK FR 8MM WIDE SP CL TB	100	EA	20.20	A
	JX6/3	3 POLE SHRT LNK FR 8MM WIDE SP CL TB	50	EA	34.50	A
	JX6/4	4 POLE SHRT LNK FR 8MM WIDE SP CL TB	50	EA	48.30	A
	JX6/10	10 POLE SHRT LNK FR 8MM WIDE SP CL TB	10	EA	115.00	A
	CA509/K8WHT	8 mm WIDE MARKER BLANK	1	PKT	73.50	B
	CA509/K8WP	8 mm WIDE MARKER PRINTED	1	PKT	84.00	B



Wire Range : 0.2 - 1.5 mm<sup>2</sup>  
 Current (A) : 15 A  
 Voltage (V) : 500 V  
 Dimensions Width (Thickness) x Length : 3.5 x 67.2 mm  
 Height with Din 35 x 7.5 mm Rail : 45.3 mm



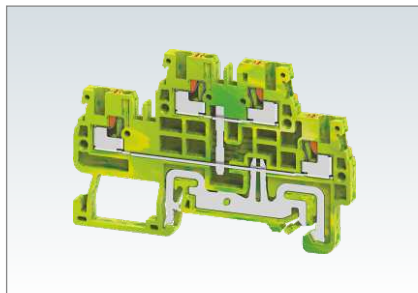
	Part #	Description	Std. Pack	UOM	List Price in	Group
TERMINAL BLOCK	CPDL1.5	1.5mm <sup>2</sup> 2 LEVEL PUSH IN SPRING CLAMP	100	EA	25.50	A
	CPDL1.5(I.S)	1.5mm <sup>2</sup> 2 LEVEL PUSH IN SP CL INT SHRT	100	EA	36.30	A
ACCESSORIES	EPCPD1.5	END PLATE FOR CPDL1.5 SERIES	50	EA	9.00	A
	JX1.5/2	2 POLE SHRT LNK FR 3.5MM WIDE SP CL TB	100	EA	7.30	A
	JX1.5/3	3 POLE SHRT LNK FR 3.5MM WIDE SP CL TB	50	EA	12.70	A
	JX1.5/4	4 POLE SHRT LNK FR 3.5MM WIDE SP CL TB	50	EA	23.00	A
	JX1.5/10	10 POLE SHRT LNK FR 3.5MM WIDE SP CL TB	10	EA	59.80	A
	MS3.5WHT	3.5 MM WIDE MARKER (STRIP) BLANK	1	PKT	64.40	A
	MS3.5WP	3.5 MM WIDE MARKER (STRIP) PRINTED	1	PKT	73.50	A



Wire Range : 0.2 - 1.5 mm<sup>2</sup>  
 Current (A) : 15 A  
 Voltage (V) : 500 V  
 Dimensions Width (Thickness) x Length : 3.5 x 67.2 mm  
 Height with Din 35 x 7.5 mm Rail : 45.3 mm



	Part #	Description	Std. Pack	UOM	List Price in	Group
TERMINAL BLOCK	CPDLG1.5	1.5 mm <sup>2</sup> FEED THRU + GND PUSH IN TB	100	EA	77.00	A
ACCESSORIES	EPCPD1.5	END PLATE FOR CPDL1.5 SERIES	50	EA	9.00	A
	JX1.5/2	2 POLE SHRT LNK FR 3.5MM WIDE SP CL TB	100	EA	7.30	A
	JX1.5/3	3 POLE SHRT LNK FR 3.5MM WIDE SP CL TB	50	EA	12.70	A
	JX1.5/4	4 POLE SHRT LNK FR 3.5MM WIDE SP CL TB	50	EA	23.00	A
	JX1.5/10	10 POLE SHRT LNK FR 3.5MM WIDE SP CL TB	10	EA	59.80	A
	MS3.5WHT	3.5 MM WIDE MARKER (STRIP) BLANK	1	PKT	64.40	A
	MS3.5WP	3.5 MM WIDE MARKER (STRIP) PRINTED	1	PKT	73.50	A

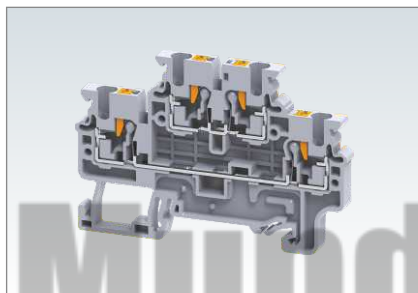


Wire Range : 0.2 - 1.5 mm<sup>2</sup>

Dimensions Width (Thickness) x Length : 3.5 x 67.2 mm  
Height with Din 35 x 7.5 mm Rail : 45.3 mm



	Part #	Description	Std. Pack	UOM	List Price in	Group
TERMINAL BLOCK	CPDLG1.5(I.S)	1.5mm <sup>2</sup> 2 LVL PUSH IN GROUND TERMINAL	100	EA	88.00	A
ACCESSORIES	EPCPDL1.5	END PLATE FOR CPDL1.5 SERIES	50	EA	9.00	A
	JX1.5/2	2 POLE SHRT LNK FR 3.5MM WIDE SP CL TB	100	EA	7.30	A
	JX1.5/3	3 POLE SHRT LNK FR 3.5MM WIDE SP CL TB	50	EA	12.70	A
	JX1.5/4	4 POLE SHRT LNK FR 3.5MM WIDE SP CL TB	50	EA	23.00	A
	JX1.5/10	10 POLE SHRT LNK FR 3.5MM WIDE SP CL TB	10	EA	59.80	A
	MS3.5WHT	3.5 MM WIDE MARKER (STRIP) BLANK	1	PKT	64.40	A
	MS3.5WP	3.5 MM WIDE MARKER (STRIP) PRINTED	1	PKT	73.50	A



Wire Range : 0.2 - 2.5 mm<sup>2</sup>

Current (A) : 24 A

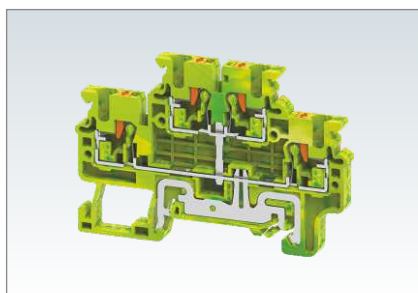
Voltage (V) : 1000 V

Dimensions Width (Thickness) x Length : 5 x 72.7 mm

Height with Din 35 x 7.5 mm Rail : 49.55 mm



	Part #	Description	Std. Pack	UOM	List Price in	Group
TERMINAL BLOCK	CPDL2.5	2.5mm <sup>2</sup> 2 LEVEL PUSH IN SPRING CLAMP TB	50	EA	30.50	A
	CPDL2.5(I.S.)	2.5mm <sup>2</sup> 2 LEVEL PUSH IN SP CL INT SHRT TB	50	EA	44.00	A
ACCESSORIES	EPCXDL2.5	END PLATE FOR CXDL2.5 SERIES	50	EA	9.00	A
	JX2.5/2	2 POLE SHRT LNK FR 5MM WIDE SP CL TB	100	EA	7.30	A
	JX2.5/3	3 POLE SHRT LNK FR 5MM WIDE SP CL TB	50	EA	12.70	A
	JX2.5/4	4 POLE SHRT LNK FR 5MM WIDE SP CL TB	50	EA	23.00	A
	JX2.5/10	10 POLE SHRT LNK FR 5MM WIDE SP CL TB	10	EA	59.80	A
	CA509/K5WHT	5 mm WIDE MARKER BLANK	1	PKT	64.40	B
	CA509/K5WP	CA509/K5-P PRINTED MARKERS WHT	1	PKT	73.50	B



Wire Range : 0.2 - 2.5 mm<sup>2</sup>

Current (A) : 24 A

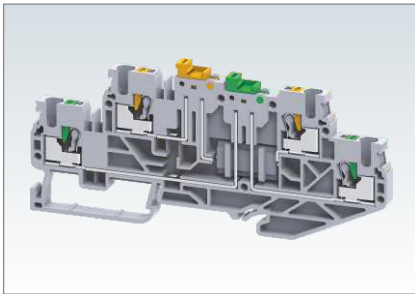
Voltage (V) : 1000 V

Dimensions Width (Thickness) x Length : 5 x 72.7 mm

Height with Din 35 x 7.5 mm Rail : 49.55 mm



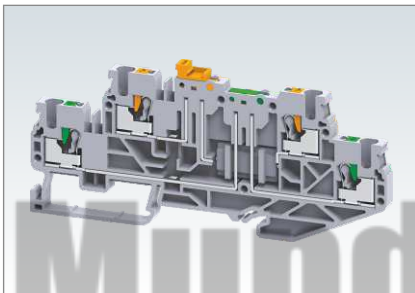
	Part #	Description	Std. Pack	UOM	List Price in	Group
TERMINAL BLOCK	CPDLG2.5	2.5 mm <sup>2</sup> FEED THRU + GND PUSH IN SP CL TB	50	EA	88.60	A
	CPDLG2.5(I.S)	2.5mm <sup>2</sup> 2 LVL PUSH IN GROUND TERMINAL	50	EA	106.00	A
ACCESSORIES	EPCXDL2.5	END PLATE FOR CXDL2.5 SERIES	50	EA	9.00	A
	JX2.5/2	2 POLE SHRT LNK FR 5MM WIDE SP CL TB	100	EA	7.30	A
	JX2.5/3	3 POLE SHRT LNK FR 5MM WIDE SP CL TB	50	EA	12.70	A
	JX2.5/4	4 POLE SHRT LNK FR 5MM WIDE SP CL TB	50	EA	23.00	A
	JX2.5/10	10 POLE SHRT LNK FR 5MM WIDE SP CL TB	10	EA	59.80	A
	CA509/K5WHT	5 mm WIDE MARKER BLANK	1	PKT	64.40	B
	CA509/K5WP	CA509/K5-P PRINTED MARKERS WHT	1	PKT	73.50	B



Wire Range : 0.2 - 2.5 mm<sup>2</sup>  
 Current (A) : 16 A  
 Voltage (V) : 500 V  
 Dimensions Width (Thickness) x Length : 5 x 107.25 mm  
 Height with Din 35 x 7.5 mm Rail : 50 mm



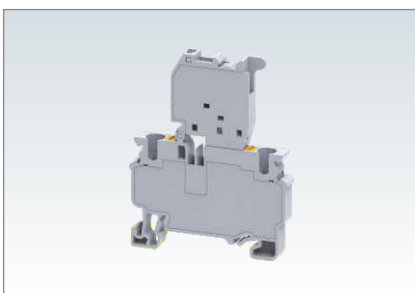
	Part #	Description	Std. Pack	UOM	List Price in	Group
TERMINAL BLOCK	CPDLK2.5	2.5mm <sup>2</sup> 4W DOUBLE LVL KNIFEDISCON SPCL	50	EA	220.00	A
	CPDLK2.5(I.S)	2.5mm <sup>2</sup> 4W 2 LVL KNIFEDISCON INT SHRT TB	50	EA	253.00	A
ACCESSORIES	EPCPDLK2.5	UD-END PLATE FOR CPDLK2.5	50	EA	20.20	A
	JX2.5/2	2 POLE SHRT LNK FR 5MM WIDE SP CL TB	100	EA	7.30	A
	JX2.5/3	3 POLE SHRT LNK FR 5MM WIDE SP CL TB	50	EA	12.70	A
	JX2.5/4	4 POLE SHRT LNK FR 5MM WIDE SP CL TB	50	EA	23.00	A
	JX2.5/10	10 POLE SHRT LNK FR 5MM WIDE SP CL TB	10	EA	59.80	A
	MS5WHT	5 MM WIDE MARKER (STRIP) BLANK	1	PKT	64.40	A
	MS5WP	5 MM WIDE MARKER (STRIP) PRINTED	1	PKT	73.50	A



Wire Range : 0.2 - 2.5 mm<sup>2</sup>  
 Current (A) : 16 A  
 Voltage (V) : 500 V  
 Dimensions Width (Thickness) x Length : 5 x 107.25 mm  
 Height with Din 35 x 7.5 mm Rail : 50 mm



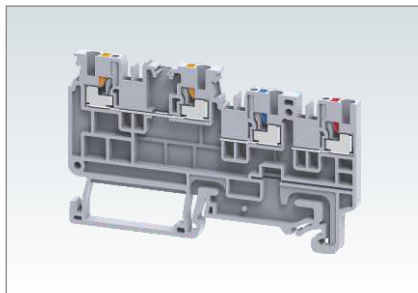
	Part #	Description	Std. Pack	UOM	List Price in	Group
TERMINAL BLOCK	CPDLKFT2.5	2.5mm <sup>2</sup> 4W DOUBLE LVL FEED THROU SPCL	50	EA	209.00	A
	CPDLKFT2.5(I.S)	2.5mm <sup>2</sup> 4W DOUBLE LVL FD THRU INT SHRT SPCL	50	EA	230.00	A
ACCESSORIES	EPCPDLK2.5	UD-END PLATE FOR CPDLK2.5	50	EA	20.20	A
	JX2.5/2	2 POLE SHRT LNK FR 5MM WIDE SP CL TB	100	EA	7.30	A
	JX2.5/3	3 POLE SHRT LNK FR 5MM WIDE SP CL TB	50	EA	12.70	A
	JX2.5/4	4 POLE SHRT LNK FR 5MM WIDE SP CL TB	50	EA	23.00	A
	JX2.5/10	10 POLE SHRT LNK FR 5MM WIDE SP CL TB	10	EA	59.80	A
	MS5WHT	5 MM WIDE MARKER (STRIP) BLANK	1	PKT	64.40	A
	MS5WP	5 MM WIDE MARKER (STRIP) PRINTED	1	PKT	73.50	A



Wire Range : 0.2 - 4.0 mm<sup>2</sup>  
 Current (A) : 10 A  
 Voltage (V) : 1000 V  
 Dimensions Width (Thickness) x Length : 6 x 54.8 mm  
 Height with Din 35 x 7.5 mm Rail : 68 mm



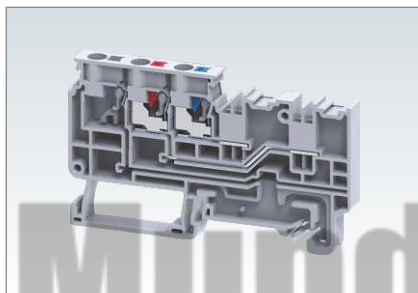
	Part #	Description	Std. Pack	UOM	List Price in	Group
TERMINAL BLOCK	CPF4	4MM <sup>2</sup> PUSH IN FUSE TB	50	EA	58.20	A
	CPF4L6-60V	4mm <sup>2</sup> PUSH IN FUSE TB 6-60V	50	EA	80.50	A
	CPF4L110-240V	4mm <sup>2</sup> PUSH IN FUSE TB 110-240V	50	EA	80.50	A
ACCESSORIES	JX4/2	2 POLE SHRT LNK FR 6MM WIDE SP CL TB	100	EA	13.30	A
	JX4/3	3 POLE SHRT LNK FR 6MM WIDE SP CL TB	50	EA	23.00	A
	JX4/4	4 POLE SHRT LNK FR 6MM WIDE SP CL TB	50	EA	34.50	A
	JX4/10	10 POLE SHRT LNK FR 6MM WIDE SP CL TB	10	EA	80.50	A
	CA509/K6WHT	6 mm WIDE MARKER BLANK	1	PKT	64.40	B
	CA509/K6WP	CA509/K6-P PRINTED MARKERS WHT	1	PKT	73.50	B



Wire Range : 0.2 - 1.5 mm<sup>2</sup>  
 Current (A) : 13.5 A  
 Voltage (V) : 250 V  
 Dimensions Width (Thickness) x Length : 3.5 x 79.8 mm  
 Height with Din 35 x 7.5 mm Rail : 48.1 mm



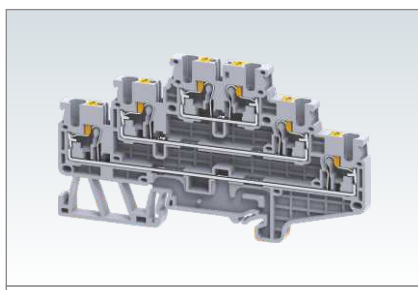
	Part #	Description	Std. Pack	UOM	List Price in	Group
TERMINAL BLOCK	CPST1.5/3	1.5 mm <sup>2</sup> 3 WIRE PUSH IN SENSOR TB	50	EA	97.80	A
ACCESSORIES	EPCPPT2.5/3	END PLATE FOR CPPT2.5/3 GRAY	50	EA	28.00	A
	JX1.5/2	2 POLE SHRT LNK FR 3.5MM WIDE SP CL TB	100	EA	7.30	A
	JX1.5/3	3 POLE SHRT LNK FR 3.5MM WIDE SP CL TB	50	EA	12.70	A
	JX1.5/4	4 POLE SHRT LNK FR 3.5MM WIDE SP CL TB	50	EA	23.00	A
	JX1.5/10	10 POLE SHRT LNK FR 3.5MM WIDE SP CL TB	10	EA	59.80	A
	MS3.5WHT	3.5 MM WIDE MARKER (STRIP) BLANK	1	PKT	64.40	A
	MS3.5WP	3.5 MM WIDE MARKER (STRIP) PRINTED	1	PKT	73.50	A



Wire Range : 0.2 - 2.5 mm<sup>2</sup>  
 Current (A) : 20 A  
 Voltage (V) : 150 V  
 Dimensions Width (Thickness) x Length : 7 x 79.8 mm  
 Height with Din 35 x 7.5 mm Rail : 48.1 mm



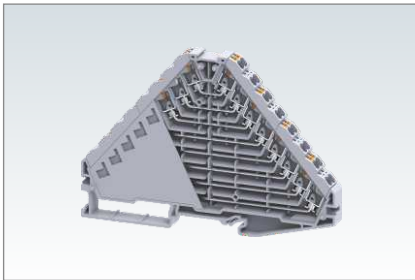
	Part #	Description	Std. Pack	UOM	List Price in	Group
TERMINAL BLOCK	CPPT2.5/3	2.5 mm <sup>2</sup> 3 WIRE PUSH IN POWER TB	50	EA	126.50	A
ACCESSORIES	EPCPPT2.5/3	END PLATE FOR CPPT2.5/3 GRAY	50	EA	28.00	A
	JX1.5/2	2 POLE SHRT LNK FR 3.5MM WIDE SP CL TB	100	EA	7.30	A
	JX1.5/3	3 POLE SHRT LNK FR 3.5MM WIDE SP CL TB	50	EA	12.70	A
	JX1.5/4	4 POLE SHRT LNK FR 3.5MM WIDE SP CL TB	50	EA	3.00	A
	JX1.5/10	10 POLE SHRT LNK FR 3.5MM WIDE SP CL TB	10	EA	59.80	A
	MS3.5WHT	3.5 MM WIDE MARKER (STRIP) BLANK	1	PKT	64.40	A
	MS3.5WP	3.5 MM WIDE MARKER (STRIP) PRINTED	1	PKT	73.50	A



Wire Range : 0.2 - 2.5 mm<sup>2</sup>  
 Current (A) : 20 A  
 Voltage (V) : 500 V  
 Dimensions Width (Thickness) x Length : 5 x 102 mm  
 Height with Din 35 x 7.5 mm Rail : 57.25 mm



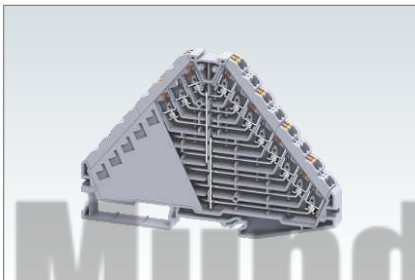
	Part #	Description	Std. Pack	UOM	List Price in	Group
TERMINAL BLOCK	CPTL2.5	2.5mm <sup>2</sup> 3 LEVEL PUSH IN SPRING CLMP TB	50	EA	84.00	A
	CPTL2.5(I.S)	2.5mm <sup>2</sup> 3 LVL PUSH IN SPR CL INT SHRT	50	EA	105.00	A
	CPTLG2.5	2.5mm <sup>2</sup> GND INT SHRT PUSH IN TB	50	EA	150.00	A
	CPTLG2.5(I.S)	2.5mm <sup>2</sup> GND INT SHRT PUSH IN TB	50	EA	170.00	A
ACCESSORIES	EPCPTL2.5	END PLATE FOR CPTL SERIES TB	50	EA	22.40	A
	JX2.5/2	2 POLE SHRT LNK FR 5MM WIDE SP CL TB	100	EA	7.30	A
	JX2.5/3	3 POLE SHRT LNK FR 5MM WIDE SP CL TB	50	EA	12.70	A
	JX2.5/4	4 POLE SHRT LNK FR 5MM WIDE SP CL TB	50	EA	23.00	A
	JX2.5/10	10 POLE SHRT LNK FR 5MM WIDE SP CL TB	10	EA	59.80	A
	CA509/K5WHT	5 mm WIDE MARKER BLANK	1	PKT	64.40	B
	CA509/K5WP	CA509/K5-P PRINTED MARKERS WHT	1	PKT	73.50	B



Wire Range : 0.2 - 1.5 mm<sup>2</sup>  
 Current (A) : 8 A  
 Voltage (V) : 320 V  
 Dimensions Width (Thickness) x Length : 9 x 120 mm  
 Height with Din 35 x 7.5 mm Rail : 84 mm




	Part #	Description	Std. Pack	UOM	List Price in	Group
TERMINAL BLOCK	CP8L32	1.5 mm <sup>2</sup> FEED THRU 8 LVL PUSH IN SP CL	10	EA	330.00	A
	CP8L32BK	1.5 mm <sup>2</sup> FD TH 8 LVL PUSH IN SP CL TB BLK	10	EA	363.00	A
	CP8L32BU	1.5 mm <sup>2</sup> FD TH 8 LVL PUSH IN SP CL TB BLU	10	EA	363.00	A
ACCESSORIES	CA509/K9WHT	9 mm WIDE MARKER BLANK - ON TERMINAL	1	PKT	73.50	B
	CA509/K9WP	9 mm WIDE MARKER PRINTED - ON TERMINAL	1	PKT	84.00	B



Wire Range : 0.2 - 1.5 mm<sup>2</sup>  
 Current (A) : 8 A  
 Voltage (V) : 320 V  
 Dimensions Width (Thickness) x Length : 9 x 120 mm  
 Height with Din 35 x 7.5 mm Rail : 84 mm




	Part #	Description	Std. Pack	UOM	List Price in	Group
TERMINAL BLOCK	CP8L32(I.S)	UD-1.5mm <sup>2</sup> 8 LVL PUSH IN SP CLMP INT	10	EA	426.00	A
	CP8L32(I.S)BK	1.5mm <sup>2</sup> 8 LVL PUSH IN SP CLMP INT BLK	10	EA	468.60	A
	CP8L32(I.S)BU	1.5mm <sup>2</sup> 8 LVL PUSH IN SP CLMP INT BLU	10	EA	468.60	A
ACCESSORIES	CA509/K9WHT	9 mm WIDE MARKER BLANK - ON TERMINAL	1	PKT	73.50	B
	CA509/K9WP	9 mm WIDE MARKER PRINTED - ON TERMINAL	1	PKT	84.00	B



Wire Range : 0.2 - 2.5 mm<sup>2</sup>  
 Current (A) : 24 A  
 Voltage (V) : 500 V  
 Dimensions Width (Thickness) x Length : 5 x 17.5 mm  
 Height : 42 mm

CE

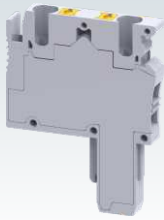
	Part #	Description	Std. Pack	UOM	List Price in	Group
TERMINAL BLOCK	CP2.5P	2.5 mm <sup>2</sup> PLUG ASSLY WITH SHORTING	100	EA	35.00	A
	CP2.5PL	2.5 mm <sup>2</sup> PLUG ASSLY WTH SHORTING LAST ELE	100	EA	35.00	A
ACCESSORIES	CA509/K5WHT	5 mm WIDE MARKER BLANK	1	PKT	64.40	B
	CA509/K5WP	CA509/K5-P PRINTED MARKERS WHT	1	PKT	73.50	B



Wire Range : 0.2 - 2.5 mm<sup>2</sup>  
 Current (A) : 24 A  
 Voltage (V) : 500 V  
 Dimensions Width (Thickness) x Length : 5 x 20.9 mm  
 Height : 42 mm

CE

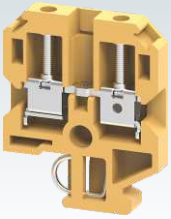
	Part #	Description	Std. Pack	UOM	List Price in	Group
TERMINAL BLOCK	CP2.5PJ	2.5 mm <sup>2</sup> PLUG ASSLY WITH SHORTING	100	EA	40.30	A
	CP2.5PJL	2.5 mm <sup>2</sup> PLUG ASSLY WTH SHORTING LAST ELE	100	EA	40.30	A
ACCESSORIES	JX2.5/2	2 POLE SHRT LNK FR 5MM WIDE SP CL TB	100	EA	7.30	A
	JX2.5/3	3 POLE SHRT LNK FR 5MM WIDE SP CL TB	50	EA	12.70	A
	JX2.5/4	4 POLE SHRT LNK FR 5MM WIDE SP CL TB	50	EA	23.00	A
	JX2.5/10	10 POLE SHRT LNK FR 5MM WIDE SP CL TB	10	EA	59.80	A
	CA509/K5WHT	5 mm WIDE MARKER BLANK	1	PKT	64.40	B
	CA509/K5WP	CA509/K5-P PRINTED MARKERS WHT	1	PKT	73.50	B



Wire Range : 0.2 - 2.5 mm<sup>2</sup>  
 Current (A) : 20 A  
 Voltage (V) : 500 V  
 Dimensions Width (Thickness) x Length : 5 x 33 mm  
 Height : 42 mm

CE

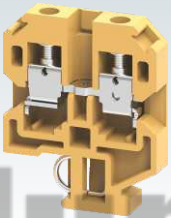
	Part #	Description	Std. Pack	UOM	List Price in	Group
TERMINAL BLOCK	CP2.5PD	2.5 mm <sup>2</sup> DOUBLE PUSH IN PLUG ASSLY	100	EA	47.50	A
	CP2.5PDL	2.5 mm <sup>2</sup> DOUBLE PUSH IN PLUG LAST ELEMENT	100	EA	47.50	A
ACCESSORIES	CA509/K5WHT	5 mm WIDE MARKER BLANK	1	PKT	64.40	B
	CA509/K5WP	CA509/K5-P PRINTED MARKERS WHT	1	PKT	73.50	B



Wire Range : 0.2 - 4.0 mm<sup>2</sup>  
 Current (A) : 32 A  
 Voltage (V) : 800 V  
 Dimensions Width (Thickness) x Length : 6.7 x 40 mm  
 Height with Din 32 x 15 mm Rail : 52 mm

IECEE CE C-SP US

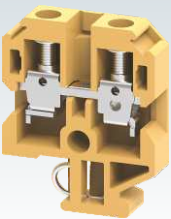
	Part #	Description	Std. Pack	UOM	List Price in	Group
TERMINAL BLOCK	CTS2.5	4 mm <sup>2</sup> FEED THRU SCREW CLAMP MELAMINE TB	200	EA	11.10	B
	CTS2.5BU	4 mm <sup>2</sup> FD THRU SW CL MELAMINE TB BLUE	200	EA	12.30	B
	CTS2.5BK	4 mm <sup>2</sup> FD THRU SW CL MELAMINE TB BLACK	200	EA	12.30	B
	CTS2.5R	4 mm <sup>2</sup> FD THRU SW CL MELAMINE TB RED	200	EA	12.30	B
	CTS2.5Y	4 mm <sup>2</sup> FD THRU SW CL MELAMINE TB YELLOW	200	EA	12.30	B
ACCESSORIES	CTSEP1	END PLATE FOR CTS2.5/6/10	50	EA	5.80	B
	CTSPP1L	PARTITION PLATE FOR CTS2.5/6/10 LONG	50	EA	12.10	B
	CTSPP1B	PARTITION PLATE FOR CTS2.5/6/10 BROAD	50	EA	13.20	B
	CA522/2	2P PRE ASSEM SHRT LINK FR 6.7mm WIDE TB	100	EA	12.70	B
	CA522/3	3P PRE ASSEM SHRT LINK FR 6.7mm WIDE TB	100	EA	19.00	B
	CA522/4	4P PRE ASSEM SHRT LINK FR 6.7mm WIDE TB	100	EA	25.30	B
	CA522/10	10P PRE ASSEM SHRT LINK FR 6.7mm WIDE TB	10	EA	63.30	B
	CA509/K2WHT	6 mm WIDE MARKER BLANK	1	PKT	64.40	B
	CA509/K2WP	6 mm WIDE MARKER PRINTED	1	PKT	73.50	B



Wire Range : 1.5 - 6.0 mm<sup>2</sup>  
 Current (A) : 41 A  
 Voltage (V) : 1000 V  
 Dimensions Width (Thickness) x Length : 8 x 40 mm  
 Height with Din 32 x 15 mm Rail : 52 mm

IECEE CE C-SP US

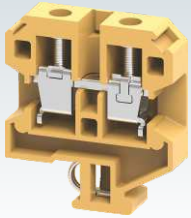
	Part #	Description	Std. Pack	UOM	List Price in	Group
TERMINAL BLOCK	CTS6	6 mm <sup>2</sup> FEED THRU SCREW CLAMP MELAMINE TB	200	EA	13.60	B
	CTS6BU	6 mm <sup>2</sup> FEED THRU SW CL MELAMINE TB BLUE	200	EA	15.00	B
	CTS6BK	6 mm <sup>2</sup> FEED THRU SW CL MELAMINE TB BLACK	200	EA	15.00	B
	CTS6R	6 mm <sup>2</sup> FEED THRU SW CL MELAMINE TB RED	200	EA	15.00	B
	CTS6Y	6 mm <sup>2</sup> FEED THRU SW CL MELAMINE TB YELLOW	200	EA	15.00	B
ACCESSORIES	CTSEP1	END PLATE FOR CTS2.5/6/10	50	EA	5.80	B
	CTSPP1L	PARTITION PLATE FOR CTS2.5/6/10 LONG	50	EA	12.10	B
	CTSPP1B	PARTITION PLATE FOR CTS2.5/6/10 BROAD	50	EA	13.20	B
	CA723/2	2P PRE ASSEM SHRT LINK FOR 8mm WIDE TB	100	EA	13.60	B
	CA723/3	3P PRE ASSEM SHRT LINK FOR 8mm WIDE TB	50	EA	20.40	B
	CA723/4	4P PRE ASSEM SHRT LINK FOR 8mm WIDE TB	50	EA	27.20	B
	CA723/10	10P PRE ASSEM SHRT LINK FOR 8mm WIDE TB	10	EA	67.90	B
	CA509/K2WHT	6 mm WIDE MARKER BLANK	1	PKT	64.40	B
	CA509/K2WP	6 mm WIDE MARKER PRINTED	1	PKT	73.50	B



Wire Range : 1.5 - 10.0 mm<sup>2</sup>  
 Current (A) : 57 A  
 Voltage (V) : 1000 V  
 Dimensions Width (Thickness) x Length : 10 x 40 mm  
 Height with Din 32 x 15 mm Rail : 52 mm

IECEE CE C-SP US

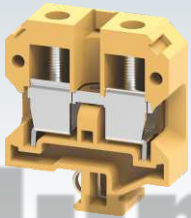
	Part #	Description	Std. Pack	UOM	List Price in	Group
TERMINAL BLOCK	CTS10	10 mm <sup>2</sup> FEED THRU SCREW CLAMP MELAMINE TB	200	EA	18.60	B
	CTS10BU	10 mm <sup>2</sup> FD THRU SW CL MELAMINE TB BLUE	200	EA	20.50	B
	CTS10BK	10 mm <sup>2</sup> FD THRU SW CL MELAMINE TB BLACK	200	EA	20.50	B
	CTS10R	10 mm <sup>2</sup> FD THRU SW CL MELAMINE TB RED	200	EA	20.50	B
	CTS10Y	10 mm <sup>2</sup> FD THRU SW CL MELAMINE TB YELLOW	200	EA	20.50	B
ACCESSORIES	CTSEP1	END PLATE FOR CTS2.5/6/10	50	EA	5.80	B
	CTSPP1L	PARTITION PLATE FOR CTS2.5/6/10 LONG	50	EA	12.10	B
	CTSPP1B	PARTITION PLATE FOR CTS2.5/6/10 BROAD	50	EA	13.20	B
	CA724/2	2P PRE ASSEM SHRT LINK FOR 8mm WIDE TB	100	EA	14.80	B
	CA724/3	3P PRE ASSEM SHRT LINK FOR 8mm WIDE TB	50	EA	22.10	B
	CA724/4	4P PRE ASSEM SHRT LINK FOR 8mm WIDE TB	50	EA	29.50	B
	CA724/10	10P PRE ASSEM SHRT LINK FOR 8mm WIDE TB	10	EA	73.60	B
	CA509/K2WHT	6 mm WIDE MARKER BLANK	1	PKT	64.40	B
	CA509/K2WP	6 mm WIDE MARKER PRINTED	1	PKT	73.50	B



Wire Range : 6.0 - 16.0 mm<sup>2</sup>  
 Current (A) : 76 A  
 Voltage (V) : 1000 V  
 Dimensions Width (Thickness) x Length : 12 x 50 mm  
 Height with Din 32 x 15 mm Rail : 57.5 mm

IECEE CE C-SP US

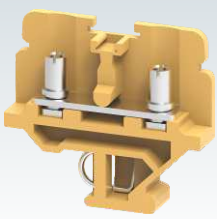
	Part #	Description	Std. Pack	UOM	List Price in	Group
TERMINAL BLOCK	CTS16	16 mm <sup>2</sup> FEED THRU SCREW CLAMP MELAMINE TB	100	EA	32.00	B
	CTS16BU	16 mm <sup>2</sup> FD THRU SW CL MELAMINE TB BLUE	100	EA	35.20	B
	CTS16BK	16 mm <sup>2</sup> FD THRU SW CL MELAMINE TB BLACK	100	EA	35.20	B
	CTS16R	16 mm <sup>2</sup> FD THRU SW CL MELAMINE TB RED	100	EA	35.20	B
	CTS16Y	16 mm <sup>2</sup> FD THRU SW CL MELAMINE TB YELLOW	100	EA	35.20	B
ACCESSORIES	CTSEP2	END PLATE FOR CTS16	50	EA	11.00	B
	CTSPP2	PARTITION PLATE FOR CTS16	50	EA	19.20	B
	CA751/2	2P PRE ASSEM SHRT LINK FOR 12mm WIDE TB	50	EA	16.10	B
	CA751/3	3P PRE ASSEM SHRT LINK FOR 12mm WIDE TB	50	EA	24.20	B
	CA751/4	4P PRE ASSEM SHRT LINK FOR 12mm WIDE TB	50	EA	32.20	B
	CA751/10	10P PRE ASSEM SHRT LINK FOR 12mm WIDE TB	10	EA	80.50	B
	CA509/K2WHT	6 mm WIDE MARKER BLANK	1	PKT	64.40	B
	CA509/K2WP	6 mm WIDE MARKER PRINTED	1	PKT	73.50	B



Wire Range : 10.0 - 35.0 mm<sup>2</sup>  
 Current (A) : 125 A  
 Voltage (V) : 1100 V  
 Dimensions Width (Thickness) x Length : 18 x 58 mm  
 Height with Din 32 x 15 mm Rail : 66.8 mm

IECEE CE C-SP US

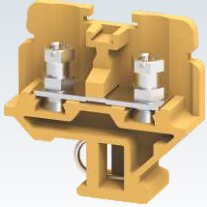
	Part #	Description	Std. Pack	UOM	List Price in	Group
TERMINAL BLOCK	CTS35	35 mm <sup>2</sup> FEED THRU SCREW CLAMP MELAMINE TB	50	EA	69.00	B
	CTS35BU	35 mm <sup>2</sup> FD THRU SW CL MELAMINE TB BLU	50	EA	75.90	B
	CTS35BK	35 mm <sup>2</sup> FD THRU SW CL MELAMINE TB BLK	50	EA	75.90	B
	CTS35R	35 mm <sup>2</sup> FD THRU SW CL MELAMINE TB RED	50	EA	75.90	B
	CTS35Y	35 mm <sup>2</sup> FD THRU SW CL MELAMINE TB YLW	50	EA	75.90	B
ACCESSORIES	CTSEP3	END PLATE FOR CTS35	25	EA	12.10	B
	CTSPP3	PARTITION PLATE FOR CTS35	50	EA	23.20	B
	CA509/K2WHT	6 mm WIDE MARKER BLANK	1	PKT	64.40	B
	CA509/K2WP	6 mm WIDE MARKER PRINTED	1	PKT	73.50	B



Wire Range : 1.5 - 6.0 mm<sup>2</sup>  
 Current (A) : 41 A  
 Voltage (V) : 1100 V  
 Dimensions Width (Thickness) x Length : 10 x 50 mm  
 Height with Din 32 x 15 mm Rail : 47.5 mm

IECEE CE C-SP US

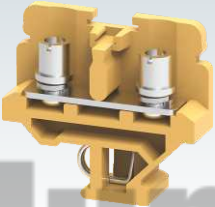
	Part #	Description	Std. Pack	UOM	List Price in	Group
TERMINAL BLOCK	CSTSB3	6mm <sup>2</sup> M3 STUD SCREW DRVR OPTD MELAMINE TB	100	EA	30.00	B
	CSTSB3BU	6mm <sup>2</sup> M3 STUD SCREW DRVR OPTD MEL TB BLU	100	EA	33.00	B
	CSTSB3BK	6mm <sup>2</sup> M3 STUD SCREW DRVR OPTD MEL TB BLK	100	EA	33.00	B
	CSTSB3R	6mm <sup>2</sup> M3 STUD SCREW DRVR OPTD MEL TB RED	100	EA	33.00	B
	CSTSB3Y	6mm <sup>2</sup> M3 STUD SCREW DRVR OPTD MEL TB YLW	100	EA	33.00	B
ACCESSORIES	CSTSEP2	END PLATE FOR CSTSN4/N5/B4/B5	50	EA	8.20	B
	CSTSP	PARTITION PLATE FOR CSTSN4/N5/N6	50	EA	16.50	B
	CA509/K2B4WHT	6 mm WIDE MARKER BLANK	1	PKT	72.30	B
	CA509/K2B4WP	6 mm WIDE MARKER PRINTED	1	PKT	81.40	B



Wire Range : 1.5 - 10.0 mm<sup>2</sup>  
 Current (A) : 57 A  
 Voltage (V) : 1100 V  
 Dimensions Width (Thickness) x Length : 13 x 45 mm  
 Height with Din 32 x 15 mm Rail : 45 mm

CE

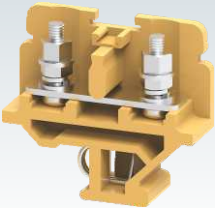
	Part #	Description	Std. Pack	UOM	List Price in	Group
TERMINAL BLOCK	CSTSB4/N4	10mm <sup>2</sup> M4 STUD SCREW/NUT DRVR OPTD MEL TB	100	EA	34.00	B
	CSTSB4/N4BU	10mm <sup>2</sup> M4 STUD SCRWNUT DRVR OPTD MEL BLU	100	EA	37.40	B
	CSTSB4/N4BK	10mm <sup>2</sup> M4 STUD SCRWNUT DRVR OPTD MEL BLK	100	EA	37.40	B
	CSTSB4/N4R	10mm <sup>2</sup> M4 STUD SCRWNUT DRVR OPTD MEL RED	100	EA	37.40	B
	CSTSB4/N4Y	10mm <sup>2</sup> M4 STUD SCRWNUT DRVR OPTD MEL YLW	100	EA	37.40	B
ACCESSORIES	EPCSTSB4/N4	END PLATE FOR CSTSB4/N4	50	EA	8.00	B
	CA509/K2B4WHT	6 mm WIDE MARKER BLANK	1	PKT	72.30	B
	CA509/K2B4WP	6 mm WIDE MARKER PRINTED	1	PKT	81.40	B



Wire Range : 1.5 - 16.0 mm<sup>2</sup>  
 Current (A) : 76 A  
 Voltage (V) : 1000 V  
 Dimensions Width (Thickness) x Length : 13 x 50 mm  
 Height with Din 32 x 15 mm Rail : 47.5 mm

IECEE CE C-UL

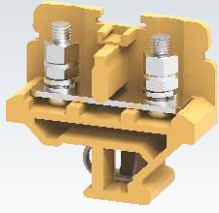
	Part #	Description	Std. Pack	UOM	List Price in	Group
TERMINAL BLOCK	CSTSB5	16mm <sup>2</sup> M5 STUD SCREW DRVR OPTD MELAMIN TB	100	EA	46.00	B
	CSTSB5BU	16mm <sup>2</sup> M5 STUD SCREW DRVR OPTD MEL TB BLU	100	EA	50.60	B
	CSTSB5BK	16mm <sup>2</sup> M5 STUD SCREW DRVR OPTD MEL TB BLK	100	EA	50.60	B
	CSTSB5R	16mm <sup>2</sup> M5 STUD SCREW DRVR OPTD MEL TB RED	100	EA	50.60	B
	CSTSB5Y	16mm <sup>2</sup> M5 STUD SCREW DRVR OPTD MEL TB YLW	100	EA	50.60	B
ACCESSORIES	CSTSEP2	END PLATE FOR CSTSN4/N5/B4/B5	50	EA	8.20	B
	CSTSP	PARTITION PLATE FOR CSTSN4/N5/N6	50	EA	16.50	B
	CA509/K2B4WHT	6 mm WIDE MARKER BLANK	1	PKT	72.30	B
	CA509/K2B4WP	6 mm WIDE MARKER PRINTED	1	PKT	81.40	B



Wire Range : 1.5 - 10.0 mm<sup>2</sup>  
 Current (A) : 57 A  
 Voltage (V) : 1000 V  
 Dimensions Width (Thickness) x Length : 15 x 50 mm  
 Height with Din 32 x 15 mm Rail : 47.5 mm

IECEE CE C-UL

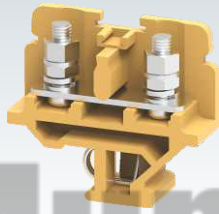
	Part #	Description	Std. Pack	UOM	List Price in	Group
TERMINAL BLOCK	CSTSN415P	10mm <sup>2</sup> M4(15P) STUD NUT DRVR OPTD MEL TB	100	EA	46.50	B
	CSTSN415PBU	10mm <sup>2</sup> M4(15P) STUD NUT DRVR OPTD MEL BLU	100	EA	51.20	B
	CSTSN415PBK	10mm <sup>2</sup> M4(15P) STUD NUT DRVR OPTD MEL BLK	100	EA	51.20	B
	CSTSN415PR	10mm <sup>2</sup> M4(15P) STUD NUT DRVR OPTD MEL RED	100	EA	51.20	B
	CSTSN415PY	10mm <sup>2</sup> M4(15P) STUD NUT DRVR OPTD MEL YLW	100	EA	51.20	B
ACCESSORIES	CSTSEP2	END PLATE FOR CSTSN4/N5/B4/B5	50	EA	8.20	B
	CSTSP	PARTITION PLATE FOR CSTSN4/N5/N6	50	EA	16.50	B
	CA509/K2B4WHT	6 mm WIDE MARKER BLANK	1	PKT	72.30	B
	CA509/K2B4WP	6 mm WIDE MARKER PRINTED	1	PKT	81.40	B



Wire Range : 1.5 - 16.0 mm<sup>2</sup>  
 Current (A) : 76 A  
 Voltage (V) : 1100 V  
 Dimensions Width (Thickness) x Length : 17 x 50 mm  
 Height with Din 32 x 15 mm Rail : 47.5 mm

IECEE CE C-SP US

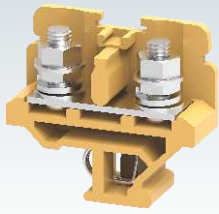
	Part #	Description	Std. Pack	UOM	List Price in	Group
TERMINAL BLOCK	CSTS4N5	16mm <sup>2</sup> M5 STUD NUT DRVR OPTD MELAMINE TB	100	EA	39.00	B
	CSTS4N5BU	16mm <sup>2</sup> M5 STUD NUT DRVR OPTD MEL TB BLU	100	EA	42.90	B
	CSTS4N5BK	16mm <sup>2</sup> M5 STUD NUT DRVR OPTD MEL TB BLK	100	EA	42.90	B
	CSTS4N5R	16mm <sup>2</sup> M5 STUD NUT DRVR OPTD MEL TB RED	100	EA	42.90	B
	CSTS4N5Y	16mm <sup>2</sup> M5 STUD NUT DRVR OPTD MEL TB YLW	100	EA	42.90	B
ACCESSORIES	CSTSEP2	END PLATE FOR CSTSN4/N5/B4/B5	50	EA	8.20	B
	CSTSPP	PARTITION PLATE FOR CSTSN4/N5/N6	50	EA	16.50	B
	CA509/K2B4WHT	6 mm WIDE MARKER BLANK	1	PKT	72.30	B
	CA509/K2B4WP	6 mm WIDE MARKER PRINTED	1	PKT	81.40	B



Wire Range : 1.5 - 16.0 mm<sup>2</sup>  
 Current (A) : 76 A  
 Voltage (V) : 1000 V  
 Dimensions Width (Thickness) x Length : 15 x 50 mm  
 Height with Din 32 x 15 mm Rail : 47.5 mm

IECEE CE C-SP US

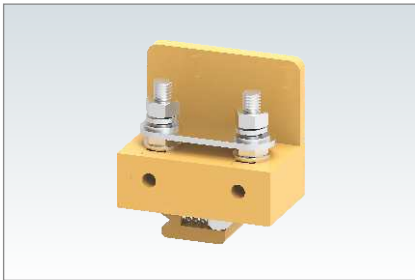
	Part #	Description	Std. Pack	UOM	List Price in	Group
TERMINAL BLOCK	CSTS515P	16mm <sup>2</sup> M5(15P) STUD NUT DRVR OPTD MEL TB	100	EA	40.20	B
	CSTS515PBU	16mm <sup>2</sup> M5(15P) STUD NUT DRVR OPTD MEL BLU	100	EA	44.20	B
	CSTS515PBK	16mm <sup>2</sup> M5(15P) STUD NUT DRVR OPTD MEL BLK	100	EA	44.20	B
	CSTS515PR	16mm <sup>2</sup> M5(15P) STUD NUT DRVR OPTD MEL RED	100	EA	44.20	B
	CSTS515PY	16mm <sup>2</sup> M5(15P) STUD NUT DRVR OPTD MEL YLW	100	EA	44.20	B
ACCESSORIES	CSTSEP2	END PLATE FOR CSTSN4/N5/B4/B5	50	EA	8.20	B
	CSTSPP	PARTITION PLATE FOR CSTSN4/N5/N6	50	EA	16.50	B
	CA509/K2B4WHT	6 mm WIDE MARKER BLANK	1	PKT	72.30	B
	CA509/K2B4WP	6 mm WIDE MARKER PRINTED	1	PKT	81.40	B



Wire Range : 1.5 - 35.0 mm<sup>2</sup>  
 Current (A) : 125 A  
 Voltage (V) : 1000 V  
 Dimensions Width (Thickness) x Length : 17 x 50 mm  
 Height with Din 32 x 15 mm Rail : 47.5 mm

IECEE CE C-SP US

	Part #	Description	Std. Pack	UOM	List Price in	Group
TERMINAL BLOCK	CSTS6N6	35mm <sup>2</sup> M6 STUD NUT DRVR OPTD MELAMINE TB	100	EA	63.50	B
	CSTS6N6BU	35mm <sup>2</sup> M6 STUD NUT DRVR OPTD MEL TB BLU	100	EA	69.90	B
	CSTS6N6BK	35mm <sup>2</sup> M6 STUD NUT DRVR OPTD MEL TB BLK	100	EA	69.90	B
	CSTS6N6R	35mm <sup>2</sup> M6 STUD NUT DRVR OPTD MEL TB RED	100	EA	69.90	B
	CSTS6N6Y	35mm <sup>2</sup> M6 STUD NUT DRVR OPTD MEL TB YLW	100	EA	69.90	B
ACCESSORIES	CSTSEP2	END PLATE FOR CSTSN4/N5/B4/B5	50	EA	8.20	B
	CSTSPP	PARTITION PLATE FOR CSTSN4/N5/N6	50	EA	16.50	B
	CA509/K2B4WHT	6 mm WIDE MARKER BLANK	1	PKT	72.30	B
	CA509/K2B4WP	6 mm WIDE MARKER PRINTED	1	PKT	81.40	B



Wire Range : 1.5 - 16.0 mm<sup>2</sup>  
 Current (A) : 76 A  
 Voltage (V) : 1100 V  
 Dimensions Width (Thickness) x Length : 26 x 43 mm  
 Height with Din 32 x 15 mm Rail : 53.5 mm



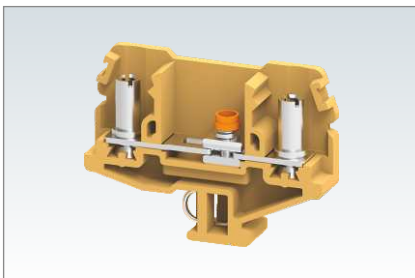
	Part #	Description	Std. Pack	UOM	List Price in	Group
TERMINAL BLOCK	CSTSRN5	16mm <sup>2</sup> M5 STUD NUT DRVR OPTD MELAMINE TB	50	EA	65.40	B
	CSTSRN5BU	16mm <sup>2</sup> M5 STUD NUT DRVR OPTD MEL TB BLU	50	EA	72.00	B
	CSTSRN5BK	16mm <sup>2</sup> M5 STUD NUT DRVR OPTD MEL TB BLK	50	EA	72.00	B
	CSTSRN5R	16mm <sup>2</sup> M5 STUD NUT DRVR OPTD MEL TB RED	50	EA	72.00	B
	CSTSRN5Y	16mm <sup>2</sup> M5 STUD NUT DRVR OPTD MEL TB YLW	50	EA	72.00	B
ACCESSORIES	CSTSREP	END PLATE FOR CSTSRN5/RN6	50	EA	11.50	B
	CA509/K6WHT	6 mm WIDE MARKER BLANK	1	PKT	64.40	B
	CA509/K6WP	6 mm WIDE MARKER PRINTED	1	PKT	73.50	B



Wire Range : 1.5 - 35.0 mm<sup>2</sup>  
 Current (A) : 125 A  
 Voltage (V) : 1100 V  
 Dimensions Width (Thickness) x Length : 26 x 43 mm  
 Height with Din 32 x 15 mm Rail : 53.5 mm



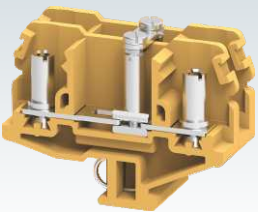
	Part #	Description	Std. Pack	UOM	List Price in	Group
TERMINAL BLOCK	CSTSRN6	35mm <sup>2</sup> M6 STUD NUT DRVR OPTD MELAMINE TB	50	EA	81.00	B
	CSTSRN6BU	35mm <sup>2</sup> M6 STUD NUT DRVR OPTD MEL TB BLU	50	EA	89.10	B
	CSTSRN6BK	35mm <sup>2</sup> M6 STUD NUT DRVR OPTD MEL TB BLK	50	EA	89.10	B
	CSTSRN6R	35mm <sup>2</sup> M6 STUD NUT DRVR OPTD MEL TB RED	50	EA	89.10	B
	CSTSRN6Y	35mm <sup>2</sup> M6 STUD NUT DRVR OPTD MEL TB YLW	50	EA	89.10	B
ACCESSORIES	CSTSREP	END PLATE FOR CSTSRN5/RN6	50	EA	11.50	B
	CA509/K6WHT	6 mm WIDE MARKER BLANK	1	PKT	64.40	B
	CA509/K6WP	6 mm WIDE MARKER PRINTED	1	PKT	73.50	B





Wire Range : 1.5 - 6.0 mm<sup>2</sup>  
 Current (A) : 41 A  
 Voltage (V) : 1100 V  
 Dimensions Width (Thickness) x Length : 13 x 68 mm  
 Height with Din 32 x 15 mm Rail : 51.7 mm



	Part #	Description	Std. Pack	UOM	List Price in	Group
TERMINAL BLOCK	CMDT4	6 mm <sup>2</sup> M4 STUD TYP DISCONNECT MELAMINE TB	50	EA	60.00	B
	CMDT4BU	6 mm <sup>2</sup> M4 STUD TYP DISCON MELAMINE TB BLU	50	EA	66.00	B
	CMDT4BK	6 mm <sup>2</sup> M4 STUD TYP DISCON MELAMINE TB BLK	50	EA	66.00	B
	CMDT4R	6 mm <sup>2</sup> M4 STUD TYP DISCON MELAMINE TB RED	50	EA	66.00	B
	CMDT4Y	6 mm <sup>2</sup> M4 STUD TYP DISCON MELAMINE TB YLW	50	EA	66.00	B
	CMDT4S	6 mm <sup>2</sup> M4 STUD TYP DISCONNECT MELAMINE TB	50	EA	62.30	B
ACCESSORIES	EPCMDT4	END PLATE FOR CMDT4	50	EA	12.70	B
	CA509/K2B4WHT	6 mm WIDE MARKER BLANK	1	PKT	72.30	B
	CA509/K2B4WP	6 mm WIDE MARKER PRINTED	1	PKT	81.40	B



Wire Range : 1.5 - 6.0 mm<sup>2</sup>  
 Current (A) : 32 A  
 Voltage (V) : 500 V  
 Dimensions Width (Thickness) x Length : 26 x 68 mm  
 Height with Din 32 x 15 mm Rail : 51.7 mm

	Part #	Description	Std. Pack	UOM	List Price in	Group
TERMINAL BLOCK	CMDT4SH	6 mm <sup>2</sup> M4 STUD TYPE DISCON SHORTED MEL TB	50	EA	135.90	B
ACCESSORIES	EPCMDT4	END PLATE FOR CMDT4	50	EA	12.70	B
	CA509/K2B4WHT	6 mm WIDE MARKER BLANK	1	PKT	72.30	B
	CA509/K2B4WP	6 mm WIDE MARKER PRINTED	1	PKT	81.40	B




CTS35L CTS35LS

Wire Range : 16 - 50.0 mm<sup>2</sup>  
 Current (A) : 150 A  
 Voltage (V) : 1000 V  
 Dimensions Width (Thickness) x Length : 28 x 75 mm  
 Height with Din 32 x 15 mm Rail : 55.2 mm




  

	Part #	Description	Std. Pack	UOM	List Price in	Group
TERMINAL BLOCK	CTS35L	50 mm <sup>2</sup> FEED THRU BOLT/NUT MELAMINE TB	10	EA	141.00	B
	CTS35LS	50 mm <sup>2</sup> FEED THRU SLTD BOLT MELAMINE TB	10	EA	145.00	B
	CTS35LBU	50 mm <sup>2</sup> FD THRU BOLT/NUT MELAMINE TB BLUE	10	EA	155.10	B
	CTS35LBK	50 mm <sup>2</sup> FD THRU BOLT/NUT MELAMINE TB BLK	10	EA	155.10	B
	CTS35LR	50 mm <sup>2</sup> FD THRU BOLT/NUT MELAMINE TB RED	10	EA	155.10	B
	CTS35LY	50 mm <sup>2</sup> FD THRU BOLT/NUT MELAMINE TB YLW	10	EA	155.10	B
ACCESSORIES	EP4P	PARTITION PLATE FOR CTS35L/70L/95L	10	EA	28.00	B
	CTSEP4	END PLATE FOR CTS35L/70L	10	EA	31.10	B
	CA509/K2B4WHT	6 mm WIDE MARKER BLANK	1	PKT	72.30	B
	CA509/K2B4WP	6 mm WIDE MARKER PRINTED	1	PKT	81.40	B




CTS70L CTS70LS

Wire Range : 35 - 70.0 mm<sup>2</sup>  
 Current (A) : 192 A  
 Voltage (V) : 1000 V  
 Dimensions Width (Thickness) x Length : 40 x 92 mm  
 Height with Din 32 x 15 mm Rail : 55.2 mm


	Part #	Description	Std. Pack	UOM	List Price in	Group
TERMINAL BLOCK	CTS70L	70 mm <sup>2</sup> FEED THRU BOLT/NUT MELAMINE TB	10	EA	195.00	B
	CTS70LS	70 mm <sup>2</sup> FEED THRU SLTD BOLT MELAMINE TB	10	EA	200.00	B
	CTS70LBU	70 mm <sup>2</sup> FD THRU BOLT/NUT MELAMINE TB BLUE	10	EA	214.50	B
	CTS70LBK	70 mm <sup>2</sup> FD THRU BOLT/NUT MELAMINE TB BLK	10	EA	214.50	B
	CTS70LR	70 mm <sup>2</sup> FD THRU BOLT/NUT MELAMINE TB RED	10	EA	214.50	B
	CTS70LY	70 mm <sup>2</sup> FD THRU BOLT/NUT MELAMINE TB YLW	10	EA	214.50	B
ACCESSORIES	EP4P	PARTITION PLATE FOR CTS35L/70L/95L	10	EA	28.00	B
	CTSEP4	END PLATE FOR CTS35L/70L	10	EA	31.10	B
	CA509/K2B4WHT	6 mm WIDE MARKER BLANK	1	PKT	72.30	B
	CA509/K2B4WP	6 mm WIDE MARKER PRINTED	1	PKT	81.40	B




CTS95L

CTS95LS


Wire Range : 35 - 95.0 mm<sup>2</sup>  
 Current (A) : 232 A  
 Voltage (V) : 1000 V  
 Dimensions Width (Thickness) x Length : 40 x 92 mm  
 Height with Din 32 x 15 mm Rail : 55.2 mm



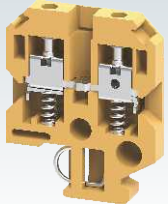
	Part #	Description	Std. Pack	UOM	List Price in	Group
TERMINAL BLOCK	CTS95L	95 mm <sup>2</sup> FEED THRU BOLT/NUT MELAMINE TB	10	EA	270.00	B
	CTS95LS	95 mm <sup>2</sup> FEED THRU SLTD BOLT MELAMINE TB	10	EA	275.00	B
	CTS95LBU	95 mm <sup>2</sup> FD THRU BOLT/NUT MELAMINE TB BLUE	10	EA	297.00	B
	CTS95LBK	95 mm <sup>2</sup> FD THRU BOLT/NUT MELAMINE TB BLK	10	EA	297.00	B
	CTS95LR	95 mm <sup>2</sup> FD THRU BOLT/NUT MELAMINE TB RED	10	EA	297.00	B
	CTS95LY	95 mm <sup>2</sup> FD THRU BOLT/NUT MELAMINE TB YLW	10	EA	297.00	B
ACCESSORIES	EP4P	PARTITION PLATE FOR CTS35L/70L/95L	10	EA	28.00	B
	CA509/K2B4WHT	6 mm WIDE MARKER BLANK	1	PKT	72.30	B
	CA509/K2B4WP	6 mm WIDE MARKER PRINTED	1	PKT	81.40	B




Wire Range : 0.2 - 2.5 mm<sup>2</sup>  
 Current (A) : 24 A  
 Voltage (V) : 400 V



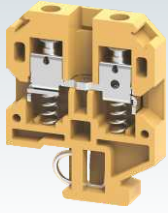
	Part #	Description	Std. Pack	UOM	List Price in	Group
TERMINAL BLOCK	CMST1	2.5 mm <sup>2</sup> 12 POLE STRIP MELAMINE TERMINAL	20	EA	96.60	B
	CMST110W	2.5 mm <sup>2</sup> 10 POLE STRIP MELAMINE TERMINAL	20	EA	86.30	B
	CMST12W	2.5 mm <sup>2</sup> 2 POLE STRIP MELAMINE TERMINAL	120	EA	17.30	B
	CMST13W	2.5 mm <sup>2</sup> 3 POLE STRIP MELAMINE TERMINAL	80	EA	25.90	B
	CMST14W	2.5 mm <sup>2</sup> 4 POLE STRIP MELAMINE TERMINAL	60	EA	34.50	B
	CMST15W	2.5 mm <sup>2</sup> 5 POLE STRIP MELAMINE TERMINAL	40	EA	43.20	B
	CMST16W	2.5 mm <sup>2</sup> 6 POLE STRIP MELAMINE TERMINAL	40	EA	51.80	B
	CMST17W	2.5 mm <sup>2</sup> 7 POLE STRIP MELAMINE TERMINAL	30	EA	60.40	B
ACCESSORIES	CMST18W	2.5 mm <sup>2</sup> 8 POLE STRIP MELAMINE TERMINAL	30	EA	69.00	B
	CMST19W	2.5 mm <sup>2</sup> 9 POLE STRIP MELAMINE TERMINAL	20	EA	77.70	B
	CMSTPP	PARTITION PLATE FOR CMST	10	EA	6.60	B



Wire Range : 0.2 - 4.0 mm<sup>2</sup>  
 Current (A) : 32 A  
 Voltage (V) : 600 V  
 Dimensions Width (Thickness) x Length : 6.7 x 40 mm  
 Height with Din 32 x 15 mm Rail : 52 mm




	Part #	Description	Std. Pack	UOM	List Price in	Group
TERMINAL BLOCK	CTS4SC	4 mm <sup>2</sup> FD THRU SPRING LOADED MELAMINE TB	200	EA	18.00	B
ACCESSORIES	CTSEP1	END PLATE FOR CTS2.5/6/10	50	EA	5.80	B
	CTSPP1L	PARTITION PLATE FOR CTS2.5/6/10 LONG	50	EA	12.10	B
	CTSPP1B	PARTITION PLATE FOR CTS2.5/6/10 BROAD	50	EA	13.20	B
	CA509/K2WHT	6 mm WIDE MARKER BLANK	1	PKT	64.40	B
	CA509/K2WP	6 mm WIDE MARKER PRINTED	1	PKT	73.50	B



Wire Range : 1.5 - 6.0 mm<sup>2</sup>  
 Current (A) : 41 A  
 Voltage (V) : 600 V  
 Dimensions Width (Thickness) x Length : 8 x 40 mm  
 Height with Din 32 x 15 mm Rail : 52 mm

IECEE CE C-SP US


	Part #	Description	Std. Pack	UOM	List Price in	Group
TERMINAL BLOCK	CTS6SC	6 mm <sup>2</sup> FD THRU SPRING LOADED MELAMINE TB	200	EA	30.00	B
ACCESSORIES	CTSEP1	END PLATE FOR CTS2.5/6/10	50	EA	5.80	B
	CTSP1L	PARTITION PLATE FOR CTS2.5/6/10 LONG	50	EA	12.10	B
	CTSP1B	PARTITION PLATE FOR CTS2.5/6/10 BROAD	50	EA	13.20	B
	CA509/K2WHT	6 mm WIDE MARKER BLANK	1	PKT	64.40	B
	CA509/K2WP	6 mm WIDE MARKER PRINTED	1	PKT	73.50	B



Wire Range : 1.5 - 10.0 mm<sup>2</sup>  
 Current (A) : 57 A  
 Voltage (V) : 800 V  
 Dimensions Width (Thickness) x Length : 11 x 50 mm  
 Height with Din 32 x 15 mm Rail : 59.5 mm

IECEE CE C-SP US


	Part #	Description	Std. Pack	UOM	List Price in	Group
TERMINAL BLOCK	CTS10SC	10 mm <sup>2</sup> FD THRU SPRING LOADED MELAMINE TB	100	EA	37.00	B
ACCESSORIES	CTSEP1SC	END PLATE FOR CTS10SC	50	EA	11.00	B
	CTSP1SC	PARTITION PLATE FOR CTS10SC	50	EA	14.30	B
	CA509/K2WHT	6 mm WIDE MARKER BLANK	1	PKT	64.40	B
	CA509/K2WP	6 mm WIDE MARKER PRINTED	1	PKT	73.50	B







Wire Range : 0.5 - 2.5 mm<sup>2</sup>  
 Current (A) : 24 A  
 Voltage (V) : 800 V  
 Dimensions Width (Thickness) x Length : 25 x 19 mm

IECEE CE C-SP US


	Part #	Description	Std. Pack	UOM	List Price in	Group
TERMINAL BLOCK	CB4/1	4 mm <sup>2</sup> 1 POLE FLOATING TYPE CERAMIC TB	50	EA	22.80	A
	CB4/2	4 mm <sup>2</sup> 2 POLE FLOATING TYPE CERAMIC TB	50	EA	42.00	A
	CB4/2H	4 mm <sup>2</sup> 2 POLE WITH MOUNT HOLE CERAMIC TB	50	EA	45.60	A
	CB4/3	4 mm <sup>2</sup> 3 POLE FLOATING TYPE CERAMIC TB	50	EA	60.00	A
	CB4/3H	4 mm <sup>2</sup> 3 POLE WITH MOUNT HOLE CERAMIC TB	50	EA	68.40	A







Wire Range : 0.5 - 4.0 mm<sup>2</sup>  
 Current (A) : 32 A  
 Voltage (V) : 800 V  
 Dimensions Width (Thickness) x Length : 25 x 19 mm

Part #	Description	Std. Pack	UOM	List Price in	Group
CB6/1	6 mm <sup>2</sup> 1 POLE FLOATING TYPE CERAMIC TB	50	EA	27.60	A
CB6/2H	6 mm <sup>2</sup> 2 POLE WITH MOUNT HOLE CERAMIC TB	50	EA	55.20	A
CB6/3H	6 mm <sup>2</sup> 3 POLE WITH MOUNT HOLE CERAMIC TB	50	EA	82.80	A
CB6/4H	6 mm <sup>2</sup> 4 POLE WITH MOUNT HOLE CERAMIC TB	50	EA	102.00	A



Wire Range : 1.5 - 10.0 mm<sup>2</sup>  
 Current (A) : 57 A  
 Voltage (V) : 800 V  
 Dimensions Width (Thickness) x Length : 29 x 24 mm

Part #	Description	Std. Pack	UOM	List Price in	Group
CB16/2H	10 mm <sup>2</sup> 2 POLE WITH MOUNT HOLE CERAMIC TB	50	EA	50.40	A
CB16/3H	10 mm <sup>2</sup> 3 POLE WITH MOUNT HOLE CERAMIC TB	50	EA	75.60	A

Part #	Description	List Price in ₹	Per	UOM	Std. Pack	Group
AGT2.5	2.5 mm <sup>2</sup> ANG FEED THRU SP CL GROUNDING TB	60.00	1	EA	100	A
AGT2.5/3	2.5mm <sup>2</sup> ANG FD THRU SP CL 3WIRE GROUND TB	75.00	1	EA	100	A
AGT2.5/4	2.5mm <sup>2</sup> ANG FD THRU SP CL 4WIRE GROUND TB	95.00	1	EA	100	A
AGT4	4 mm <sup>2</sup> ANG FEED THRU SP CL GROUNDING TB	60.00	1	EA	100	A
AGT4/3	4 mm <sup>2</sup> ANG FD THRU SP CL 3 WIRE GROUND TB	98.00	1	EA	100	A
AGT4/4	4 mm <sup>2</sup> ANG FD THRU SP CL 4 WIRE GROUND TB	105.00	1	EA	100	A
AGT6	6 mm <sup>2</sup> ANG FEED THRU SP CL GROUNDING TB	113.00	1	EA	50	A
AGT6/3	6mm <sup>2</sup> ANG FEED THRU SP CL 3WIRE GROUND TB	140.00	1	EA	50	A
AS2.5	2.5mm <sup>2</sup> ANGULAR FEED THRU SPRING CLAMP TB	10.00	1	EA	100	A
AS2.5/3	2.5mm <sup>2</sup> ANGULAR FEED THRU SP CL 3 WIRE TB	22.00	1	EA	100	A
AS2.5/3BK	2.5 mm <sup>2</sup> ANG FEED THRU SP CL 3WIRE TB BLK	24.20	1	EA	100	A
AS2.5/3BU	2.5 mm <sup>2</sup> ANG FEED THRU SP CL 3WIRE TB BLU	24.20	1	EA	100	A
AS2.5/3R	2.5 mm <sup>2</sup> ANG FEED THRU SP CL 3WIRE TB RED	24.20	1	EA	100	A
AS2.5/3Y	2.5 mm <sup>2</sup> ANG FEED THRU SP CL 3WIRE TB YLW	24.20	1	EA	100	A
AS2.5/4	2.5 mm <sup>2</sup> ANG FEED THRU SP CL 4 WIRE TB	26.00	1	EA	100	A
AS2.5/4BK	2.5 mm <sup>2</sup> ANG FEED THRU SP CL 4WIRE TB BLK	29.00	1	EA	100	A
AS2.5/4BU	2.5 mm <sup>2</sup> ANG FEED THRU SP CL 4WIRE TB BLU	29.00	1	EA	100	A
AS2.5/4GN	2.5 mm <sup>2</sup> ANG FEED THRU SP CL 4WIRE TB GRN	29.00	1	EA	100	A
AS2.5/4R	2.5 mm <sup>2</sup> ANG FEED THRU SP CL 4WIRE TB RED	29.00	1	EA	100	A
AS2.5/4Y	2.5 mm <sup>2</sup> ANG FEED THRU SP CL 4WIRE TB YLW	29.00	1	EA	100	A
AS2.5BK	2.5mm <sup>2</sup> ANG FEED THRU SPRING CLAMP TB BLK	11.00	1	EA	100	A
AS2.5BU	2.5mm <sup>2</sup> ANG FEED THRU SPRING CLAMP TB BLU	11.00	1	EA	100	A
AS2.5GN	2.5mm <sup>2</sup> ANG FEED THRU SPRING CLAMP TB GRN	11.00	1	EA	100	A
AS2.5R	2.5mm <sup>2</sup> ANG FEED THRU SPRING CLAMP TB RED	11.00	1	EA	100	A
AS2.5Y	2.5mm <sup>2</sup> ANG FEED THRU SPRING CLAMP TB YLW	11.00	1	EA	100	A
AS4	4 mm <sup>2</sup> ANGULAR FEED THRU SPRING CLAMP TB	18.00	1	EA	100	A
AS4/3	4 mm <sup>2</sup> ANGULAR FEED THRU SP CL 3 WIRE TB	31.00	1	EA	100	A
AS4/3BK	4 mm <sup>2</sup> ANG FEED THRU SP CL 3WIRE TB BLACK	35.00	1	EA	100	A
AS4/3BU	4 mm <sup>2</sup> ANG FEED THRU SP CL 3 WIRE TB BLU	35.00	1	EA	100	A
AS4/3GN	4 mm <sup>2</sup> ANG FEED THRU SP CL 3WIRE TB GREEN	35.00	1	EA	100	A
AS4/3R	4 mm <sup>2</sup> ANG FEED THRU SP CL 3 WIRE TB RED	35.00	1	EA	100	A
AS4/3Y	4mm <sup>2</sup> ANG FD THRU SP CL 3 WIRE TB YLW	35.00	1	EA	100	A
AS4/4	4 mm <sup>2</sup> ANGULAR FEED THRU SP CL 4 WIRE TB	37.00	1	EA	100	A
AS4/4BK	4 mm <sup>2</sup> ANG FD TH SP CL 4WIRE TB BLK	41.00	1	EA	100	A
AS4/4BU	4 mm <sup>2</sup> ANG FEED THRU SP CL 4 WIRE TB	41.00	1	EA	100	A
AS4/4GN	4mm <sup>2</sup> ANG FD TH SP CL 4 WIRE TB GRN	41.00	1	EA	100	A
AS4/4R	4mm <sup>2</sup> ANG FEED THRU SP CL 4 WIRE TB RED	41.00	1	EA	100	A
AS4/4Y	4mm <sup>2</sup> ANG FD THRU SP CL 4WIRE TB YLW	41.00	1	EA	100	A
AS4BK	4mm <sup>2</sup> ANG FEED THRU SPRING CLAMP TB BLACK	20.00	1	EA	100	A
AS4BU	4 mm <sup>2</sup> ANG FEED THRU SPRING CLAMP TB BLUE	20.00	1	EA	100	A
AS4GN	4mm <sup>2</sup> ANG FD TH SPRING CLAMP TB GRN)	20.00	1	EA	100	A
AS4R	4 mm <sup>2</sup> ANG FEED THRU SPRING CLAMP TB RED	20.00	1	EA	100	A
AS4Y	4mm <sup>2</sup> ANG FEED THR SPRING CLAMP TB YELLOW	20.00	1	EA	100	A
AS6	6 mm <sup>2</sup> ANGULAR FEED THRU SPRING CLAMP TB	32.00	1	EA	50	A
AS6/3	6 mm <sup>2</sup> ANGULAR FEED THRU SP CL 3 WIRE TB	70.00	1	EA	50	A
AS6/3BU	6 mm <sup>2</sup> ANG FEED THRU SP CL 3 WIRE TB BLUE	77.00	1	EA	50	A
AS6/3R	6 mm <sup>2</sup> ANG FEED THRU SP CL 3 WIRE TB	77.00	1	EA	50	A
AS6/3Y	6 mm <sup>2</sup> ANG FEED THRU SP CL 3WIRE TB	77.00	1	EA	50	A
AS6BK	6 mm <sup>2</sup> ANG FEED THR SPRING CLAMP TB B	36.00	1	EA	50	A
AS6BU	6 mm <sup>2</sup> ANG FEED THRU SPRING CLAMP TB BLUE	36.00	1	EA	50	A
AS6R	6 mm <sup>2</sup> ANG FEED THRU SPRING CLAMP TB RED	36.00	1	EA	50	A

Part #	Description	List Price in ₹	Per	UOM	Std. Pack	Group
AS6Y	6mm <sup>2</sup> ANG FEED THR SPRING CLAMP TB YELLOW	36.00	1	EA	50	A
ATL2.5	2.5 mm <sup>2</sup> 3 LVL SPRING CLMP TERMINAL BLOCK	84.00	1	EA	30	A
ATL2.5H	2.5 mm <sup>2</sup> 3 LVL 4WIRE SP CL TERMINAL BLOCK	54.90	1	EA	25	A
ATL2.5HL16-60V	2.5 mm <sup>2</sup> 3 LVL 4WIRE SP CL LED 6-60V TB	73.60	1	EA	30	A
ATL2.5HL26-60V	2.5mm <sup>2</sup> 3 LVL 4WIRE SPCL I.S LED 6-60V TB	73.60	1	EA	30	A
ATLG2.5	2.5 mm <sup>2</sup> 3 LEVEL + GROUND SPRING CLAMP TB	280.00	1	EA	50	A
AUX6	6 mm <sup>2</sup> AUX TB FOR CTS50/70N & CTS95/120N	36.30	1	EA	10	B
CA102	POLYAMIDE SCREW END CLAMP FOR DIN35/32	18.70	1	EA	50	B
CA103	POLYAMIDE SCREWLESS END CLAMP FOR DIN35	8.00	1	EA	50	A
CA104	POLYAMIDE SCREWLESS END CLAMP FOR DIN35	9.50	1	EA	50	A
CA202	POLYAMIDE SCREW END CLAMP FOR DIN35	20.00	1	EA	25	B
CA302	STEEL SCREW END CLAMP FOR DIN35	11.00	1	EA	50	B
CA402	STEEL SCREW END CLAMP FOR DIN35-15	11.00	1	EA	50	B
CA501-1M	DIN32 RAIL 1 METER LONG	144.00	1	EA	25	A
CA501-1M-S	DIN32 RAIL SLOTTED 1 METER LONG	156.00	1	EA	25	A
CA501-2M	DIN32 RAIL 2 METER LONG	288.00	1	EA	25	A
CA501-2M-S	DIN32 RAIL SLOTTED 2 METER LONG	312.00	1	EA	25	A
CA502	STEEL SCREW END CLAMP FOR DIN32 RAIL	5.50	1	EA	50	B
CA502/F	MARKER FIXING SCREW FIBER WASHER FR CMST	2.80	1	EA	100	B
CA503/01	2P PERM SHORTING LINK FOR 6mm WIDE TB	3.30	1	EA	100	B
CA503/1	2P PERM SHORTING LINK FOR 6.7mm WIDE TB	3.30	1	EA	100	B
CA503/5	2P PERM SHORTING LINK FOR 18mm WIDE TB	5.30	1	EA	100	B
CA504/01	3P PERM SHORTING LINK FOR 6mm WIDE TB	4.90	1	EA	100	B
CA504/1	3P PERM SHORTING LINK FOR 6.7mm WIDE TB	4.90	1	EA	100	B
CA504/5	3P PERM SHORTING LINK FOR 18mm WIDE TB	8.00	1	EA	100	B
CA505/01	4P PERM SHORTING LINK FOR 6mm WIDE TB	6.50	1	EA	100	B
CA505/1	4P PERM SHORTING LINK FOR 6.7mm WIDE TB	6.50	1	EA	100	B
CA505/5	4P PERM SHRT LINK FOR 18mm WIDE TB	10.60	1	EA	100	B
CA506/01	(2P REM SHORTING LINK FOR 6mm WIDE	3.30	1	EA	100	B
CA506/1	2P REM SHORTING LINK FOR 6.7mm WIDE TB	3.50	1	EA	100	B
CA506/5	2P REM SHORTING LINK FOR 18mm WIDE TB	6.40	1	EA	100	B
CA507/L/1	LONG SHORTNG STUD FOR 6.7 & 8mm WIDE TB	6.90	1	EA	100	B
CA507/L/2	LONG SHORTNG STUD FOR 10 & 12mm WIDE TB	8.10	1	EA	100	B
CA507/L/Q/01	LONG SLEVE SCRW FR TEMP SHRT 6mm WIDE TB	5.20	1	EA	100	B
CA507/S/1	SHORT SHRTNG STUD FOR 6.7 & 8mm WIDE TB	6.40	1	EA	50	B
CA507/S/2	SHORT SHRTNG STUD FOR 10 & 12mm WIDE TB	7.10	1	EA	50	B
CA507/S/Q/01	SHORT SLVE SCRW FR PERM SHRT 6mm WIDE TB	5.10	1	EA	50	B
CA508/L/Q	LONG SLVE SC FR TEP SHRT 18mm WD TB	10.20	1	EA	100	B
CA508/S/Q	SHORT SLV SCRW FR PERM SHRT 18mm WIDE TB	6.00	1	EA	100	B
CA509/G1WHT	GROUP MARKER FOR CA702	500.00	1	PKT	1	B
CA509/G2WHT	GROUP MARKER FOR CA602	500.00	1	PKT	1	B
CA509/K10WHT	10 mm WIDE MARKER BLANK	80.20	1	PKT	1	B
CA509/K10WP	10 mm WIDE MARKER PRINTED	90.70	1	PKT	1	B
CA509/K12WHT	12 mm WIDE MARKER BLANK	94.50	1	PKT	1	B
CA509/K12WP	12 mm WIDE MARKER PRINTED	105.00	1	PKT	1	B
CA509/K15WHT	15 mm WIDE MARKER BLANK	94.50	1	PKT	1	B
CA509/K15WP	15 mm WIDE MARKER PRINTED	106.40	1	PKT	1	B
CA509/K16WHT	16 mm WIDE MARKER BLANK	94.50	1	PKT	1	B
CA509/K16WP	16 mm WIDE MARKER PRINTED	106.40	1	PKT	1	B
CA509/K20WHT	BLANK K-TYPE MARKR FR CTS50-WHT	118.20	1	PKT	1	B
CA509/K20WP	CA509/K20-P PRINTED MARKERS WHT	131.30	1	PKT	1	B

Part #	Description	List Price in ₹	Per	UOM	Std. Pack	Group
CA509/K2B4WHT	5.75 mm WIDE MARKER BLANK	72.30	1	PKT	1	B
CA509/K2B4WP	5.75 mm WIDE MARKER PRINTED	81.40	1	PKT	1	B
CA509/K2GWHT	BLANK K-TYPE MARKR FR CDLG/CTLG2.5 WHT	64.40	1	PKT	1	B
CA509/K2GWP	K-TYPE PRNTD MARKR FR CDLG/CTLG2.5 WHT	73.50	1	PKT	1	B
CA509/K2WHT	5.75 mm WIDE MARKER BLANK	64.40	1	PKT	1	B
CA509/K2WP	CA509/K2-P PRINTED MARKERS WHT	73.50	1	PKT	1	B
CA509/K3WHT	BLANK K-TYPE MARKR FR CTS6U/CSFL4U	64.40	1	PKT	1	B
CA509/K3WP	CA509/K3-P PRINTED MARKERS WHT	73.50	1	PKT	1	B
CA509/K4WHT	5 mm WIDE MARKER BLANK	64.40	1	PKT	1	B
CA509/K4WP	CA509/K4-P PRINTED MARKERS WHT	73.50	1	PKT	1	B
CA509/K5WHT	5 mm WIDE MARKER BLANK	64.40	1	PKT	1	B
CA509/K5WP	CA509/K5-P PRINTED MARKERS WHT	73.50	1	PKT	1	B
CA509/K6WHT	6 mm WIDE MARKER BLANK	64.40	1	PKT	1	B
CA509/K6WP	CA509/K6-P PRINTED MARKERS WHT	73.50	1	PKT	1	B
CA509/K7.5WHT	7.5 mm WIDE MARKER BLANK	64.40	1	PKT	1	B
CA509/K7.5WP	7.5 mm WIDE MARKER PRINTED	73.50	1	PKT	1	B
CA509/K8WHT	8 mm WIDE MARKER BLANK	73.50	1	PKT	1	B
CA509/K8WP	CA509/K8-P PRINTED MARKERS WHT	84.00	1	PKT	1	B
CA509/K9WHT	9 mm WIDE MARKER BLANK	73.50	1	PKT	1	B
CA509/K9WP	CA509/K9-P PRINTED MARKERS WHT	84.00	1	PKT	1	B
CA510/01	10P PERM SHORTING LINK FOR 6mm WIDE	16.10	1	EA	100	B
CA510/1	10P PERM SHORTING LINK FOR 6.7mm WIDE TB	16.10	1	EA	100	B
CA510/5	10P PERM SHORTING LINK FOR 18mm WIDE TB	26.50	1	EA	100	B
CA512/10-2	2P PERM SHORTING LINK FOR 15mm WIDE	17.30	1	EA	100	B
CA512/10-3	3P PERM SHORTING LINK FOR 15mm WIDE	25.90	1	EA	50	B
CA512/10-4	4P PERM SHRT LINK FOR 15mm WIDE TB	34.50	1	EA	50	B
CA512/11-2	2P REM SHORTING LINK FOR 26mm WIDE T	17.30	1	EA	50	B
CA512/1-2	2P REM SHORTING LINK FOR 17mm WIDE TB	17.30	1	EA	100	B
CA512/12-2	2P PERM SHRT LINK FOR 26mm WIDE TB	34.50	1	EA	50	B
CA512/1-3	3P REM SHORTING LINK FOR 17mm WIDE TB	25.90	1	EA	50	B
CA512/13-2	2P REM SHORTING LINK FOR 11mm WIDE TB	17.30	1	EA	100	B
CA512/13-3	3P REM SHORTING LINK FOR 11mm WIDE TB	25.90	1	EA	50	B
CA512/13-4	4P REM SHORTING LINK FOR 11mm WIDE TB	34.50	1	EA	50	B
CA512/1-4	4P REM SHORTING LINK FOR 17mm WIDE TB	34.50	1	EA	50	B
CA512/14-2	2P PERM SHORTING LINK FOR 11mm WIDE TB	17.30	1	EA	100	B
CA512/14-3	3P PERM SHORTING LINK FOR 11mm WIDE TB	25.90	1	EA	50	B
CA512/14-4	4P PERM SHORTING LINK FOR 11mm WIDE TB	34.50	1	EA	50	B
CA512/15-2	2POLE REM SHORTING LINK FOR 9MM WIDE TB	17.30	1	EA	100	B
CA512/15-3	3POLE REM SHORTING LINK FOR 9MM WIDE TB	25.90	1	EA	50	B
CA512/15-4	4POLE REM SHORTING LINK FOR 9MM WIDE TB	34.50	1	EA	50	B
CA512/17-2	2POLE PERM SHORTING LINK FOR 9mm WIDE TB	17.30	1	EA	100	B
CA512/17-3	3POLE PERM SHORTING LINK FOR 9MM WIDE TB	25.90	1	EA	50	B
CA512/17-4	4POLE PERM SHORTING LINK FOR 9MM WIDE TB	34.50	1	EA	50	B
CA512/2-2	2P REM SHORTING LINK FOR 13mm WIDE TB	17.30	1	EA	100	B
CA512/2-3	3P REM SHORTING LINK FOR 13mm WIDE TB	25.90	1	EA	50	B
CA512/2-4	4P REM SHORTING LINK FOR 13mm WIDE TB	34.50	1	EA	50	B
CA512/3-2	2P PERM SHORTING LINK FOR 17mm WIDE TB	17.30	1	EA	100	B
CA512/3-3	3P PERM SHORTING LINK FOR 17mm WIDE TB	25.90	1	EA	50	B
CA512/3-4	4P PERM SHORTING LINK FOR 17mm WIDE TB	34.50	1	EA	50	B
CA512/4-2	2P PERM SHORTING LINK FOR 13mm WIDE TB	17.30	1	EA	100	B
CA512/4-3	3P PERM SHORTING LINK FOR 13mm WIDE TB	25.90	1	EA	50	B

Part #	Description	List Price in ₹	Per	UOM	Std. Pack	Group
CA512/4-4	4P PERM SHORTING LINK FOR 13mm WIDE TB	34.50	1	EA	50	B
CA512/5-2	2P REM SHORTING LINK FOR 10mm WIDE TB	17.30	1	EA	100	B
CA512/5-3	3P REM SHORTING LINK FOR 10mm WIDE TB	25.90	1	EA	50	B
CA512/5-4	4P REM SHORTING LINK FOR 10mm WIDE TB	34.50	1	EA	50	B
CA512/6-2	2P PERM SHORTING LINK FOR 10mm WIDE TB	17.30	1	EA	100	B
CA512/6-3	3P PERM SHORTING LINK FOR 10mm WIDE TB	25.90	1	EA	50	B
CA512/6-4	4P PERM SHORTING LINK FOR 10mm WIDE TB	34.50	1	EA	50	B
CA512/7-2	2P REM SHORTING LINK FOR 17mm WIDE TB	17.30	1	EA	100	B
CA512/7-3	3P REM SHORTING LINK FOR 17mm WIDE TB	25.90	1	EA	50	B
CA512/7-4	4P REM SHORTING LINK FOR 17mm WIDE T	34.50	1	EA	50	B
CA512/8-2	2P PERM SHORTING LINK FOR 17mm WIDE	17.30	1	EA	100	B
CA512/8-3	3P PERM SHORTING LINK FOR 17mm WIDE	25.90	1	EA	50	B
CA512/8-4	4P PERM SHORTING LINK FOR 17mm WIDE	34.50	1	EA	50	B
CA512/9-2	2P REM SHORTING LINK FOR 15mm WIDE TB	17.30	1	EA	100	B
CA512/9-3	3P REM SHORTING LNK FOR 15mm WIDE TB	25.90	1	EA	50	B
CA512/9-4	4P REM SHORTING LNK FOR 15mm WIDE TB	34.50	1	EA	50	B
CA513	2POLE INSU SHORTING LINK FOR CMST1/CMST2	8.30	1	EA	50	B
CA514/10-2	2P INS PER SHG LINK FOR 15mm WIDE TB	20.30	1	EA	100	B
CA514/10-3	3P INS PER SHG LINK FOR 15mm WIDE TB	30.40	1	EA	50	B
CA514/10-4	4P INS PER SHG LINK FOR 15mm WIDE TB	40.50	1	EA	50	B
CA514/11-2	2P INS REM SHRT LNK FR 26mm WIDE TB	53.20	1	EA	100	B
CA514/1-2	2P INS REM SHRTG LINK FOR 17mm WIDE TB	20.30	1	EA	100	B
CA514/1-3	3P INS REM SHRTG LINK FOR 17mm WIDE TB	30.40	1	EA	50	B
CA514/13-2	2P INS REM SHORTING LNK FR 11mm WIDE TB	20.30	1	EA	100	B
CA514/13-3	3P INS REM SHORTING LNK FR 11mm WIDE TB	30.40	1	EA	50	B
CA514/13-4	4P INS REM SHORTING LNK FR 11mm WIDE TB	40.50	1	EA	50	B
CA514/1-4	4P INS REM SHRTG LINK FOR 17mm WIDE TB	40.50	1	EA	50	B
CA514/14-2	2P INS PERM SHORTING LNK FR 11mm WIDE TB	20.30	1	EA	100	B
CA514/14-3	3P INS PERM SHORTING LNK FR 11mm WIDE TB	30.40	1	EA	50	B
CA514/14-3A	3P INS ALT PERM SHRT LNK FR 11mm WIDE TB	40.50	1	EA	10	B
CA514/14-4	4P INS PERM SHORTING LNK FR 11mm WIDE TB	40.50	1	EA	50	B
CA514/14-4A	4P INS ALT PERM SHRT LNK FR 11mm WIDE TB	43.10	1	EA	10	B
CA514/15-2	2P INS REM SHRT LINK FR 9mm WIDE TB	20.30	1	EA	100	B
CA514/15-3	3P INS REM SHRT LINK FR 9mm WIDE TB	30.40	1	EA	50	B
CA514/15-4	4P INS REM SHRT LINK FR 9mm WIDE TB	40.50	1	EA	50	B
CA514/17-2	2P INS PERM SHORTING LINK FR 9mm WIDE TB	20.30	1	EA	100	B
CA514/17-3	3P INS PERM SHORTING LINK FR 9mm WIDE TB	30.40	1	EA	50	B
CA514/17-4	4P INS PERM SHRT LINK FR 9mm WIDE TB	40.50	1	EA	50	B
CA514/2-2	2P INS REM SHORTING LNK FR 13mm WIDE TB	20.30	1	EA	100	B
CA514/2-3	3P INS REM SHORTING LNK FR 13mm WIDE TB	30.40	1	EA	50	B
CA514/2-4	4P INS REM SHORTING LNK FR 13mm WIDE TB	40.50	1	EA	50	B
CA514/3-2	2P INS PERM SHRTG LINK FOR 17mm WIDE TB	20.30	1	EA	100	B
CA514/3-3	3P INS PERM SHRTG LINK FOR 17mm WIDE TB	30.40	1	EA	50	B
CA514/3-4	4P INS PERM SHRTG LINK FOR 17mm WIDE TB	40.50	1	EA	50	B
CA514/4-2	2P INS PERM SHORTING LNK FR 13mm WIDE TB	20.30	1	EA	100	B
CA514/4-3	3P INS PERM SHORTING LNK FR 13mm WIDE TB	30.40	1	EA	50	B
CA514/4-4	4P INS PERM SHORTING LNK FR 13mm WIDE TB	40.50	1	EA	50	B
CA514/5-2	2P INS REM SHORTING LNK FR 10mm WIDE TB	20.30	1	EA	100	B
CA514/5-3	3P INS REM SHORTING LNK FR 10mm WIDE TB	30.40	1	EA	50	B
CA514/5-4	4P INS REM SHORTING LNK FR 10mm WIDE TB	40.50	1	EA	50	B
CA514/6-2	2P INS PERM SHORTING LNK FR 10mm WIDE TB	20.30	1	EA	100	B

Part #	Description	List Price in ₹	Per	UOM	Std. Pack	Group
CA514/6-3	3P INS PERM SHORTING LNK FR 10mm WIDE TB	30.40	1	EA	50	B
CA514/6-4	4P INS PERM SHORTING LNK FR 10mm WIDE TB	40.50	1	EA	50	B
CA514/7-2	2P INS REM SHRT LNK FR 17mm WIDE TB	20.30	1	EA	100	B
CA514/7-3	3P INS REM SHORTING LNK FR 17mm WIDE TB	30.40	1	EA	50	B
CA514/7-4	4P INS REM SHRT LNK FR 17mm WIDE TB	40.50	1	EA	50	B
CA514/8-2	2P INS PERM SHORTING LNK FR 17mm WIDE TB	20.30	1	EA	100	B
CA514/8-3	3P INS PERM SHORTING LNK FR 17mm WIDE TB	30.40	1	EA	50	B
CA514/8-4	4P INS PERM SHORTING LNK FR 17mm WIDE TB	40.50	1	EA	50	B
CA514/9-2	2P INS REM SHORTING LNK FR 15mm WIDE TB	20.30	1	EA	100	B
CA514/9-3	3P INS REM SHRT LNK FR 15mm WIDE TB	30.40	1	EA	50	B
CA514/9-4	4P INS REM SHRT LNK FR 15mm WIDE TB	40.50	1	EA	50	B
CA515	2 POLE SWITCHABLE LINK KIT FOR CMDT4	17.30	1	EA	50	B
CA516	2 POLE SWITCHABLE LNK KIT FOR CBDT4U	17.30	1	EA	50	B
CA521/10	10P PRE ASSEM SHRT LINK FOR 6mm WIDE TB	58.70	1	EA	10	B
CA521/2	2POLE PRE ASSEM SHRT LINK FR 6mm WIDE TB	11.80	1	EA	100	B
CA521/3	3W PRE ASS LNK FR CTS2.5M	17.60	1	EA	100	B
CA521/4	4POLE PRE ASSEM SHRT LINK FR 6mm WIDE TB	23.50	1	EA	100	B
CA522/10	10P PRE ASSEM SHRT LINK FR 6.7mm WIDE TB	63.30	1	EA	10	B
CA522/2	2P PRE ASSEM SHRT LINK FR 6.7mm WIDE TB	12.70	1	EA	100	B
CA522/3	3P PRE ASSEM SHRT LINK FOR 6.7mm WIDE TB	19.00	1	EA	100	B
CA522/4	4P PRE ASSEM SHRT LINK FOR 6.7mm WIDE TB	25.30	1	EA	100	B
CA601-1M	DIN15 RAIL 1 METER	68.40	1	EA	100	A
CA602	POLYAMIDE SCREW END CLAMP FOR DIN15	6.10	1	EA	50	B
CA603	STEEL MOUNTING BRACKET ANGULAR	17.30	1	EA	25	B
CA607/L/Q	LONG SLV SCREW FOR TEMP SHRT 6mm WIDE TB	5.80	1	EA	100	B
CA607/S/Q	SHORT SLV SCRW FOR PERM SHRT 6mm WIDE TB	5.10	1	EA	100	B
CA621/10	10P INS PRE ASSM SHRT LNK FR 6mm WID	119.60	1	EA	10	B
CA621/2	2P INS PRE ASS SHRT LNK FR 6mm WD TB	24.00	1	EA	100	B
CA621/3	3P INS PRE ASS SHRT LNK FR 6mm WD TB	35.90	1	EA	100	B
CA621/4	4P INS PRE ASS SHRT LNK FR 6mm WD TB	47.90	1	EA	100	B
CA622/10	10P INS PRE ASS SHT LNK FR 6.7mm WIDE TB	126.50	1	EA	10	B
CA622/2	2P INS PRE ASS SHT LNK FOR 6.7mm WIDE TB	25.30	1	EA	100	B
CA622/3	3P INS PRE ASS SHT LNK FOR 6.7mm WIDE TB	38.00	1	EA	100	B
CA622/4	4P INS PRE ASS SHT LNK FOR 6.7mm WIDE TB	50.60	1	EA	100	B
CA623/10	10P PRE ASSEM SHRT LINK FOR 6mm WIDE TB	56.40	1	EA	10	B
CA623/2	2P PRE ASSEM SHRT LINK FOR 6mm WIDE TB	11.30	1	EA	100	B
CA623/3	3P PRE ASSEM SHRT LINK FOR 6mm WIDE	17.00	1	EA	100	B
CA623/4	4P PRE ASSEM SHRT LINK FOR 6mm WIDE TB	22.60	1	EA	100	B
CA624/10	10P PRE ASSEM SHRT LINK FOR 8mm WIDE TB	63.30	1	EA	10	B
CA624/2	2P PRE ASSEM SHRT LINK FOR 8mm WIDE TB	12.70	1	EA	100	B
CA624/3	3P PRE ASSEM SHRT LINK FOR 8mm WIDE TB	19.00	1	EA	100	B
CA624/4	4P PRE ASSEM SHRT LINK FOR 8mm WIDE	25.30	1	EA	100	B
CA625/10	10P PRE ASSEM SHRT LINK FOR 10mm WIDE TB	70.20	1	EA	10	B
CA625/2	2P PRE ASSEM SHRT LINK FOR 10mm WIDE TB	14.10	1	EA	100	B
CA625/3	3P PRE ASSEM SHRT LINK FOR 10mm WIDE TB	21.10	1	EA	100	B
CA625/4	4P PRE ASSEM SHRT LINK FOR 10mm WIDE TB	28.10	1	EA	100	B
CA627/10	10P PRE ASSEM SHRT LINK FOR 6mm WIDE TB	55.20	1	EA	10	B
CA627/2	2P PRE ASSEM SHRT LINK FOR 6mm WIDE TB	11.10	1	EA	100	B
CA627/3	3P PRE ASSEM SHRT LINK FR 6mm WD TB	16.60	1	EA	100	B
CA627/4	4P PRE ASSEM SHRT LINK FOR 6mm WIDE TB	22.10	1	EA	100	B
CA628/2	2 POLE SHORTING LNK SET FOR CTS50/70N	73.60	1	EA	10	B

Part #	Description	List Price in ₹	Per	UOM	Std. Pack	Group
CA628/3	3 POLE SHORTING LNK SET FOR CTS50/70N	110.40	1	EA	10	B
CA629/2	2 POLE SHORTING LNK SET FOR CTS95/120N	96.60	1	EA	10	B
CA629/3	3 POLE SHORTING LNK SET FOR CTS95/120N	144.90	1	EA	10	B
CA701-15-1M	DIN35 X 15mm RAIL 1 METER LONG	151.20	1	EA	25	A
CA701-15-1M-S	DIN35 X 15mm RAIL SLOTTED 1 METER LONG	163.20	1	EA	25	A
CA701-15-2M	DIN35 X 15mm RAIL 2 METER LONG	302.40	1	EA	25	A
CA701-15-2M-S	DIN35 X 15mm RAIL SLOTTED 2 METER LONG	326.40	1	EA	25	A
CA701-1M	DIN35 X 7.5mm RAIL 1 METER LONG	84.00	1	EA	50	A
CA701-1M-S	DIN35 X 7.5mm RAIL SLOTTED 1 METER LONG	96.00	1	EA	50	A
CA701-2M	DIN35 X 7.5mm RAIL 2 METER LONG	168.00	1	EA	25	A
CA701-2M-S	DIN35 X 7.5mm RAIL SLOTTED 2 METER LONG	192.00	1	EA	25	A
CA702	POLYAMIDE SCREW END CLAMP FOR DIN35/32	9.90	1	EA	50	B
CA703	STEEL MOUNTING BRACKET HOLE M6 HT 1 INCH	15.00	1	EA	25	B
CA703/01	2P PERM SHORTING LINK FOR 5mm WIDE TB	3.50	1	EA	100	B
CA703/1	2P PERM SHORTING LINK FOR 6mm WIDE TB	3.50	1	EA	100	B
CA703/10	2P PERM SHORTING LINK FOR 16mm WIDE TB	6.50	1	EA	100	B
CA703/11	2 POLE SHORTING LINK KIT FOR PTB70/95	75.90	1	EA	10	B
CA703/2	2POLE PERM SHORTING LINK FOR 8mm WIDE TB	3.70	1	EA	100	B
CA703/3	2P PERM SHORTING LINK FOR 10mm WIDE TB	4.40	1	EA	100	B
CA703/4	2P PERM SHORTING LINK FOR 12mm WIDE TB	6.00	1	EA	100	B
CA703/5	2P PERM SHORTING LINK FOR 15mm WIDE TB	6.00	1	EA	100	B
CA703/6	2POLE PERM SHORTING LINK FOR 8mm WIDE TB	3.50	1	EA	100	B
CA703/8	2P PERM SHORTING LINK FOR 12mm WIDE TB	6.00	1	EA	100	B
CA703/9	2 POLE SHORTING LINK KIT FOR PTB35/50	57.50	1	EA	10	B
CA704/01	3POLE PERM SHORTING LINK FOR 5mm WIDE TB	5.20	1	EA	100	B
CA704/1	3POLE PERM SHORTING LINK FOR 6mm WIDE TB	5.20	1	EA	100	B
CA704/10	3POLE PERM SHORTING LINK FR 16mm WIDE TB	9.70	1	EA	100	B
CA704/11	3 POLE SHORTING LINK KIT FOR PTB70/95	113.90	1	EA	10	B
CA704/2	3POLE PERM SHORTING LINK FOR 8mm WIDE TB	5.60	1	EA	100	B
CA704/3	3POLE PERM SHORTING LINK FR 10mm WIDE TB	6.60	1	EA	100	B
CA704/4	3POLE PERM SHORTING LINK FR 12mm WIDE TB	9.00	1	EA	100	B
CA704/5	3POLE PERM SHORTING LINK FR 15mm WIDE TB	8.70	1	EA	100	B
CA704/6	3POLE PERM SHORTING LINK FOR 8mm WIDE TB	5.20	1	EA	100	B
CA704/8	3POLE PERM SHORTING LINK FR 12mm WIDE TB	9.00	1	EA	100	B
CA704/9	3 POLE SHORTING LINK KIT FOR PTB35/50	86.30	1	EA	10	B
CA705/01	4POLE PERM SHORTING LINK FR 5mm WIDE TB	6.90	1	EA	100	B
CA705/1	4POLE PERM SHORTING LINK FR 6mm WIDE TB	6.90	1	EA	100	B
CA705/10	4POLE PERM SHORTING LINK FR 15mm WIDE TB	12.90	1	EA	100	B
CA705/2	4POLE PERM SHORTING LINK FR 8mm WIDE TB	7.40	1	EA	100	B
CA705/3	4POLE PERM SHORTING LINK FR 10mm WIDE TB	8.80	1	EA	100	B
CA705/4	4POLE PERM SHORTING LINK FR 12mm WIDE TB	12.00	1	EA	100	B
CA705/6	4POLE PERM SHORTING LINK FOR 8mm WIDE TB	6.90	1	EA	100	B
CA705/8	4POLE PERM SHORTING LINK FR 12mm WIDE TB	12.00	1	EA	100	B
CA705/9	4 POLE SHORTING LINK KIT FOR PTB35/5	115.00	1	EA	10	B
CA706/01	2POLE REM SHORTING LINK FOR 5mm WIDE TB	3.70	1	EA	100	B
CA706/1	2POLE REM SHORTING LINK FOR 6mm WIDE TB	3.70	1	EA	100	B
CA706/2	2POLE REM SHORTING LINK FOR 8mm WIDE TB	3.70	1	EA	100	B
CA706/3	2POLE REM SHORTING LINK FOR 10mm WIDE TB	4.40	1	EA	100	B
CA706/8	2POLE REM SHORTING LINK FR 12mm WIDE TB	6.00	1	EA	100	B
CA707/L/Q/01	LONG SLV SCRW FR TEMP SHRT 5&6mm WIDE TB	5.60	1	EA	100	B
CA707/L/Q/1	LONG SLV SCRW FR TEMP SHT 8&10mm WIDE TB	6.30	1	EA	100	B

Part #	Description	List Price in ₹	Per	UOM	Std. Pack	Group
CA707/L/Q/2	LONG SLV SCRW FOR TEMP SHRT 12mm WIDE TB	9.70	1	EA	100	B
CA707/S/Q/01	SHORT SLV SCRW FR PERM SHT 5&6mm WIDE TB	5.10	1	EA	100	B
CA707/S/Q/1	SHORT SLV SW FR PER SHT 8/10/12mm WID TB	5.60	1	EA	100	B
CA707/S/Q/2	SHORT SLV SW FR PER SHRT 12&16mm WIDE TB	6.50	1	EA	100	B
CA707/S/Q/3	SHORT SLV SCRW FOR PERM SHRT 8mm WID	5.30	1	EA	100	B
CA707/TS/01	TEST SOCKET FOR CTS2.5UN/4UN	4.70	1	EA	100	B
CA707/TS/03	TEST SOCKET FOR CMT4	4.70	1	EA	100	B
CA707/TS/04	TEST SOCKET FOR CTS2.5	4.70	1	EA	100	B
CA707/TS/05	TEST SOCKET FOR CTS6U/10U	6.50	1	EA	100	B
CA707/TS/06	TEST SOCKET FOR CTS25UN/35UN	10.30	1	EA	100	B
CA710/10	10P INS EXT SHORTING LINK FR 8mm WIDE TB	92.00	1	EA	20	B
CA710/2	2P INS EXT SHORTING LINK FOR 8mm WIDE TB	18.40	1	EA	100	B
CA710/3	3P INS EXT SHORTING LINK FOR 8mm WIDE TB	27.60	1	EA	50	B
CA710/4	4P INS EXT SHORTING LINK FOR 8mm WIDE TB	36.80	1	EA	50	B
CA711/10	10P INS EXT SHORTING LINK FR 8mm WIDE TB	92.00	1	EA	20	B
CA711/2	2P INS EXT SHORTING LINK FOR 8mm WIDE TB	18.40	1	EA	100	B
CA711/3	3P INS EXT SHORTING LINK FOR 8mm WIDE TB	27.60	1	EA	50	B
CA711/4	4P INS EXT SHORTING LINK FOR 8mm WIDE TB	36.80	1	EA	50	B
CA713/10	10W INSU COMB LNK FR CTS4UN/CKT4U	80.50	1	EA	20	B
CA713/2	2P INS EXT SHORTING LINK FOR 6mm WIDE TB	16.10	1	EA	100	B
CA713/3	3P INS EXT SHORTING LINK FOR 6mm WIDE TB	24.20	1	EA	100	B
CA713/4	4P INS EXT SHORTING LINK FOR 6mm WIDE TB	32.20	1	EA	100	B
CA714/10	10P INS EXT SHORTING LINK FR 6mm WIDE TB	80.50	1	EA	20	B
CA714/2	2P INS EXT SHORTING LINK FOR 6mm WIDE TB	16.10	1	EA	100	B
CA714/3	3P INS EXT SHORTING LINK FOR 6mm WIDE TB	24.20	1	EA	100	B
CA714/4	4P INS EXT SHORTING LINK FOR 6mm WIDE TB	32.20	1	EA	100	B
CA715/10	10P INS EXT SHORTING LNK FOR 6mm WIDE TB	80.50	1	EA	20	B
CA715/2	2P INS EXT SHORTING LINK FOR 6mm WIDE TB	16.10	1	EA	100	B
CA715/3	3P INS EXT SHORTING LINK FOR 6mm WIDE TB	24.20	1	EA	100	B
CA715/4	4P INS EXT SHORTING LINK FOR 6mm WIDE TB	32.20	1	EA	100	B
CA716/10	10P INS EXT SHORTING LNK FOR 9mm WIDE TB	92.00	1	EA	20	B
CA716/2	2P INS EXT SHORTING LINK FOR 9mm WIDE TB	18.40	1	EA	50	B
CA716/3	3P INS EXT SHORTING LINK FOR 9mm WIDE TB	27.60	1	EA	50	B
CA716/4	4P INS EXT SHORTING LINK FOR 9mm WIDE TB	36.80	1	EA	50	B
CA717/10	10P INS EXT SHORTING LINK FR 5mm WIDE TB	80.50	1	EA	20	B
CA717/2	2P INS EXT SHORTING LINK FR 5mm WIDE TB	16.10	1	EA	100	B
CA717/3	3P INS EXT SHORTING LINK FR 5mm WIDE TB	24.20	1	EA	100	B
CA717/4	4P INS EXT SHORTING LINK FR 5mm WIDE TB	32.20	1	EA	100	B
CA718/10	10P INS EXT SHORTING LNK FR 10mm WIDE TB	107.00	1	EA	20	B
CA718/2	2P INS EXT SHORTING LINK FR 10mm WIDE TB	21.40	1	EA	100	B
CA718/3	3P INS EXT SHORTING LINK FR 10mm WIDE TB	32.10	1	EA	50	B
CA718/4	4P INS EXT SHORTING LINK FR 10mm WIDE TB	42.80	1	EA	50	B
CA721/10	10P PRE ASSEM SHRT LINK FOR 5mm WIDE TB	55.20	1	EA	10	B
CA721/100	100P PRE ASSEM SHRT LNK FOR 5mm WIDE TB	552.00	1	EA	10	B
CA721/2	2P PRE ASSEMBLED SHRT LNK FR 5mm WIDE TB	11.10	1	EA	100	B
CA721/3	3P PRE ASSEMBLED SHRT LNK FR 5mm WIDE TB	16.60	1	EA	100	B
CA721/4	4P PRE ASSEMBLED SHRT LNK FR 5mm WIDE TB	22.10	1	EA	100	B
CA722/10	10P PRE ASSEM SHORT LINK FOR 6mm WIDE TB	55.20	1	EA	10	B
CA722/100	100P PRE ASSEM SHRT LINK FOR 6mm WIDE TB	552.00	1	EA	10	B
CA722/2	2P PRE ASSEMBLED SHRT LNK FR 6mm WIDE TB	11.10	1	EA	100	B
CA722/3	3P PRE ASSEMBLED SHRT LNK FR 6mm WIDE TB	16.60	1	EA	100	B

Part #	Description	List Price in ₹	Per	UOM	Std. Pack	Group
CA722/4	4P PRE ASSEMBLED SHRT LNK FR 6mm WIDE TB	22.10	1	EA	100	B
CA723/10	10P PRE ASSEM SHRT LINK FOR 8mm WIDE TB	67.90	1	EA	10	B
CA723/2	2P PRE ASSEM SHRT LINK FOR 8mm WIDE TB	13.60	1	EA	100	B
CA723/3	3P PRE ASSEM SHRT LINK FOR 8mm WIDE TB	20.40	1	EA	50	B
CA723/4	4P PRE ASSEM SHRT LINK FOR 8mm WIDE TB	27.20	1	EA	50	B
CA723/5	5P PRE ASSEM SHRT LINK FOR 8mm WIDE TB	34.50	1	EA	50	B
CA723/6	6P PRE ASSEM SHRT LINK FOR 8mm WIDE TB	44.90	1	EA	50	B
CA723/7	7P PRE ASSEM SHRT LINK FOR 8mm WIDE TB	54.10	1	EA	10	B
CA724/10	10P PRE ASSEM SHRT LINK FOR 10mm WIDE TB	73.60	1	EA	10	B
CA724/2	2P PRE ASSEM SHRT LINK FOR 10mm WIDE TB	14.80	1	EA	100	B
CA724/3	3P PRE ASSEM SHRT LINK FOR 10mm WIDE TB	22.10	1	EA	50	B
CA724/4	4P PRE ASSEM SHRT LINK FOR 10mm WIDE TB	29.50	1	EA	50	B
CA725/10	10P PRE ASSEM SHRT LINK FOR 12mm WIDE TB	89.70	1	EA	10	B
CA725/2	2P PRE ASSEM SHRT LINK FOR 12mm WIDE TB	18.00	1	EA	50	B
CA725/3	3P PRE ASSEM SHRT LINK FOR 12mm WIDE TB	27.00	1	EA	20	B
CA725/4	4P PRE ASSEM SHRT LINK FOR 12mm WIDE TB	35.90	1	EA	20	B
CA726/10	10P PRE ASSEM SHRT LINK FOR 15mm WIDE	87.40	1	EA	10	B
CA727/10	10P PRE ASSEM SHRT LINK FOR 6mm WIDE TB	55.20	1	EA	10	B
CA727/2	2P PRE ASSEM SHRT LINK FOR 6mm WIDE TB	11.10	1	EA	100	B
CA727/3	3P PRE ASSEM SHRT LINK FOR 6mm WIDE TB	16.60	1	EA	100	B
CA727/4	4P PRE ASSEM SHRT LINK FOR 6mm WIDE TB	22.10	1	EA	100	B
CA728/10	10P PRE ASSEM SHRT LINK FOR 9mm WIDE TB	62.10	1	EA	10	B
CA728/2	2P PRE ASSEM SHRT LINK FOR 9mm WIDE TB	12.50	1	EA	50	B
CA728/3	3P PRE ASSEM SHRT LINK FOR 9mm WIDE TB	18.70	1	EA	50	B
CA728/4	4P PRE ASSEM SHRT LINK FOR 9mm WIDE TB	24.90	1	EA	50	B
CA729/10	10P PRE ASSEM SHRT LINK FOR 8mm WIDE TB	62.10	1	EA	10	B
CA729/2	2P PRE ASSEM SHRT LINK FOR 8mm WIDE TB	12.50	1	EA	100	B
CA729/3	3P PRE ASSEM SHRT LINK FOR 8mm WIDE TB	18.70	1	EA	50	B
CA729/4	4P PRE ASSEMBLED SHRT LNK FR 8mm WIDE TB	24.90	1	EA	50	B
CA731/10	10P PERM SHORTING LINK FOR 5mm WIDE TB	17.30	1	EA	100	B
CA731/100	100P PERM SHRTNG LINK BRK FR 5mm WIDE TB	172.50	1	EA	10	B
CA732/10	10P PERM SHORTING LINK FOR 6mm WIDE TB	17.30	1	EA	100	B
CA732/100	100P PERM SHRTNG LINK BRK FR 6mm WIDE TB	172.50	1	EA	10	B
CA733/10	10P PERM SHORTING LINK FOR 6mm WIDE TB	18.40	1	EA	100	B
CA734/10	10P PERM SHORTING LNK FOR 10mm WIDE TB	21.90	1	EA	100	B
CA735/10	10P PERM SHORTING LNK FOR 12mm WIDE TB	29.90	1	EA	100	B
CA736/10	10P PERM SHORTING LNK FOR 15mm WIDE TB	34.50	1	EA	100	B
CA737/10	10P PERM SHORTING LINK FOR 8mm WIDE TB	17.30	1	EA	100	B
CA739/10	10P PERM SHORTING LINK FOR 12mm WIDE TB	29.90	1	EA	100	B
CA741/10	10P INS PRE ASSM SHRT LINK FR5mm WIDE TB	109.30	1	EA	10	B
CA741/100	100P INS PRE ASSM SHRT LNK FR5mm WIDE TB	1092.50	1	EA	10	B
CA741/2	2P INS PRE ASSEM SHRT LINK FR5mm WIDE TB	21.90	1	EA	100	B
CA741/3	3P INS PRE ASSEM SHRT LINK FR5mm WIDE TB	32.80	1	EA	100	B
CA741/4	4P INS PRE ASSEM SHRT LINK FR5mm WIDE TB	43.70	1	EA	100	B
CA742/10	10P INS PREASSEM SHRT LINK FR6mm WIDE TB	109.30	1	EA	10	B
CA742/100	100P INS PREASSEM SHRT LNK FR6mm WIDE TB	1092.50	1	EA	10	B
CA742/2	2P INS PREASSEM SHRT LINK FR 6mm WIDE TB	21.90	1	EA	100	B
CA742/3	3P INS PREASSEM SHRT LINK FR 6mm WIDE TB	32.80	1	EA	100	B
CA742/4	4P INS PREASSEM SHRT LINK FR 6mm WIDE TB	43.70	1	EA	100	B
CA743/10	10P INS PREASSEM SHRT LINK FR8mm WIDE TB	115.00	1	EA	10	B
CA743/2	2P INS PREASSEM SHRT LINK FR 8mm WIDE TB	23.00	1	EA	100	B

Part #	Description	List Price in ₹	Per	UOM	Std. Pack	Group
CA743/3	3P INS PREASSEM SHRT LINK FR 8mm WIDE TB	34.50	1	EA	50	B
CA743/4	4P INS PREASSEM SHRT LINK FR 8mm WIDE TB	46.00	1	EA	50	B
CA744/10	10P INS PREASSEM SHRT LNK FR10mm WIDE TB	119.60	1	EA	10	B
CA744/2	2P INS PREASSEM SHRT LINK FR10mm WIDE TB	24.00	1	EA	100	B
CA744/3	3P INS PREASSEM SHRT LINK FR10mm WIDE TB	35.90	1	EA	50	B
CA744/4	4P INS PREASSEM SHRT LINK FR10mm WIDE TB	47.90	1	EA	50	B
CA745/10	10P INS PREASSEM SHRT LNK FR12mm WIDE TB	162.20	1	EA	10	B
CA745/2	2P INS PREASSEM SHRT LINK FR12mm WIDE TB	32.50	1	EA	50	B
CA745/3	3P INS PREASSEM SHRT LINK FR12mm WIDE TB	48.70	1	EA	20	B
CA745/4	4P INS PREASSEM SHRT LINK FR12mm WIDE TB	64.90	1	EA	20	B
CA747/10	10P INS PREASSEM SHRT LINK FR6mm WIDE TB	109.30	1	EA	10	B
CA747/2	2P INS PREASSEM SHRT LINK FR 6mm WIDE TB	21.90	1	EA	100	B
CA747/3	3P INS PREASSEM SHRT LINK FR 6mm WIDE TB	32.80	1	EA	100	B
CA747/4	4P INS PREASSEM SHRT LINK FR 6mm WIDE TB	43.70	1	EA	100	B
CA749/10	10P INS PREASSEM SHRT LINK FR8mm WIDE TB	115.00	1	EA	10	B
CA749/2	2P INS PREASSEM SHRT LINK FR 8mm WIDE TB	23.00	1	EA	100	B
CA749/3	3P INS PREASSEM SHRT LINK FR 8mm WIDE TB	34.50	1	EA	50	B
CA749/4	4P INS PREASSEM SHRT LINK FR 8mm WIDE TB	46.00	1	EA	50	B
CA751/10	10P PRE ASSEM SHRT LINK FOR 12mm WIDE TB	80.50	1	EA	10	B
CA751/2	2P PRE ASSEM SHRT LINK FOR 12mm WIDE TB	16.10	1	EA	50	B
CA751/3	3P PRE ASSEM SHRT LINK FOR 12mm WIDE TB	24.20	1	EA	50	B
CA751/4	4P PRE ASSEM SHRT LINK FOR 12mm WIDE TB	32.20	1	EA	50	B
CA761/10	10P INS PREASSEM SHRT LNK FR12mm WIDE TB	162.20	1	EA	10	B
CA761/2	2P INS PREASSEM SHRT LINK FR12mm WIDE TB	32.50	1	EA	50	B
CA761/3	3P INS PREASSEM SHRT LINK FR12mm WIDE TB	48.70	1	EA	50	B
CA761/4	4P INS PREASSEM SHRT LINK FR12mm WIDE TB	64.90	1	EA	50	B
CA770/10	10W PERM SHRT LINK FR CTS35UN	38.00	1	EA	10	B
CA771/10	10P PRE ASSEM SHRT LNK FR 16mm WIDE TB	92.00	1	EA	10	B
CA771/2	2P PRE ASSEM SHRT LINK FR 16mm WIDE TB	18.40	1	EA	50	B
CA771/3	3P PRE ASSEM SHRT LINK FR 16mm WIDE TB	27.60	1	EA	20	B
CA771/4	4P PRE ASSEM SHRT LINK FR 16mm WIDE TB	36.80	1	EA	20	B
CA772/10	10P PRE ASSEM SHRT LINK FR 13mm WIDE TB	79.40	1	EA	10	B
CA772/2	2P PRE ASSEM SHRT LINK FR 13mm WD TB	15.90	1	EA	100	B
CA772/3	3P PRE ASSEM SHRT LINK FR 13mm WD TB	23.90	1	EA	50	B
CA772/4	4P PRE ASSEM SHRT LINK FR 13mm WD TB	31.80	1	EA	50	B
CA773/10	10P PRE ASSEM SHRT LINK FR 9mm WD TB	69.00	1	EA	10	B
CA773/2	2P PRE ASSEM SHRT LINK FOR 9mm WIDE TB	13.80	1	EA	100	B
CA773/3	3P PRE ASSEM SHRT LINK FOR 9mm WIDE TB	20.70	1	EA	50	B
CA773/4	4P PRE ASSEM SHRT LINK FOR 9mm WIDE TB	27.60	1	EA	50	B
CA774/2	2P PRE ASSEM SHRT LINK FR 18mm WD TB	20.70	1	EA	100	B
CA774/3	3P PRE ASSEM SHRT LINK FR 18mm WD TB	31.10	1	EA	50	B
CA774/4	4P PRE ASSEM SHRT LINK FR 18mm WD TB	41.40	1	EA	50	B
CA775/10	10P PRE ASSEM SHRT LNK FOR 13mm WIDE TB	80.50	1	EA	10	B
CA775/2	2P PRE ASSEM SHRT LINK FOR 13mm WIDE TB	16.10	1	EA	100	B
CA775/3	3P PRE ASSEM SHRT LINK FOR 13mm WIDE TB	24.20	1	EA	50	B
CA775/4	4P PRE ASSEM SHRT LINK FOR 13mm WIDE TB	32.20	1	EA	50	B
CA781/10	10P INS PREASSEM SHRT LNK FR16mm WIDE TB	162.20	1	EA	10	B
CA781/2	2P INS PREASSEM SHRT LINK FR16mm WIDE TB	32.50	1	EA	50	B
CA781/3	3P INS PREASSEM SHRT LINK FR16mm WIDE TB	48.70	1	EA	20	B
CA781/4	4P INS PRE ASS SHRT LNK FR 16mm WIDE TB	64.90	1	EA	20	B
CA790/2	2 POLE SHORTING LINK FOR CBB35/50	46.00	1	EA	10	B

Part #	Description	List Price in ₹	Per	UOM	Std. Pack	Group
CA790/3	3 POLE SHORTING LINK FOR CBB35/50	65.60	1	EA	10	B
CA791/2	2 POLE SHORTING LINK FOR CBB70/CBB95	92.00	1	EA	10	B
CA791/3	3 POLE SHORTING LINK FOR CBB70/CBB95	138.00	1	EA	10	B
CA793/2	2 POLE SHORTING LINK FOR CBB120	103.50	1	EA	10	B
CA793/3	3 POLE SHORTING LINK FOR CBB120	155.30	1	EA	10	B
CA794/2	2W SHRT LNK FR CBB150 / CBB185	103.50	1	EA	10	B
CA794/3	3W SHRT LNK FR CBB150 / CBB185	155.30	1	EA	10	B
CA801/1	2P SHRT LINK FR AS2.5 SERIES	10.40	1	EA	100	A
CA801/1-3	2P ALT SHRT LINK FOR AS2.5 SERIES	20.70	1	EA	100	A
CA801/2	2P SHRT LINK FOR AS4 SERIES	19.60	1	EA	100	A
CA801/2-3	2P ALT SHRT LINK FOR AS4 SERIES	29.90	1	EA	100	A
CA801/3	2P SHRT LINK FOR AS6 SERIES	27.60	1	EA	100	A
CA801/3-3	2POLE ALT SHRT LINK FR 8mm WIDE SP CL TB	36.80	1	EA	100	A
CA801/4	2P SHRT LINK FR 10mm WIDE SPRNG CLAMP TB	41.40	1	EA	100	A
CA801/5	2P SHRT LINK FR 16mm WIDE SPRNG CLAMP TB	55.20	1	EA	100	A
CA801/7	2P SHRT LINK FR 8mm WIDE SPRNG CLAMP TB	18.40	1	EA	100	A
CA801/8	2P STEPDOWN SHRT LNK FR 8 TO 5mm SP C	35.70	1	EA	100	A
CA801/A10	10P SHRT LINK FR 5mm WIDE SPRNG CLAMP TB	189.80	1	EA	10	A
CA801/A2	2P SHRT LINK FR 5mm WIDE SPRING CLAMP TB	38.00	1	EA	100	A
CA801/A3	3P SHRT LINK FR 5mm WIDE SPRING CLAMP	57.00	1	EA	100	A
CA801/A4	4P SHRT LINK FR 5mm WIDE SPRING CLAMP TB	75.90	1	EA	100	A
CA802	POLYAMIDE SCREW END CLAMP FOR DIN35 RAIL	8.10	1	EA	50	B
CA803	STEEL MOUNTING BRACKET HOLE M6 HT 2 INCH	18.40	1	EA	25	B
CA803/1	2P INS EXT SHRT LNK FR 5mm WIDE SP CL TB	6.40	1	EA	100	A
CA901/1	2P WIRE SHRT LINK FOR 5mm WIDE SP CL TB	58.70	1	EA	100	A
CA901/2	2P WIRE SHRT LINK FOR 6mm WIDE SP CL TB	70.20	1	EA	100	A
CA901/3	2P WIRE SHRT LINK FOR 8mm WIDE SP CL TB	92.00	1	EA	100	A
CA901/4	2P STEPDOWN SHRT LNK FR 8 TO 6mm SP CL TB	78.20	1	EA	100	A
CA901/5	2P STEPDOWN SHRT LNK FR 8 TO 5mm SP CL TB	78.20	1	EA	100	A
CA903	STEEL MOUNTING BRACKET HOLE M6 HT 3 INCH	23.00	1	EA	25	B
CAFL4U	4mm <sup>2</sup> Ø6X32mm 6.3A FUSE SCRWB CL TERMINAL	70.00	1	EA	25	B
CAFL4UL110V	4mm <sup>2</sup> Ø6X32mm 6.3A FUSE SCRWB CLMP TB 110V	77.50	1	EA	25	B
CAFL4UL110VW/F	4mm <sup>2</sup> Ø6X32mm FUSE SCREW CLAMP TB 110V	72.20	1	EA	25	B
CAFL4UL220V	4mm <sup>2</sup> Ø6X32mm 6.3A FUSE SCRWB CLMP TB 220V	77.50	1	EA	25	B
CAFL4UL220VW/F	4mm <sup>2</sup> Ø6X32mm FUSE SCREW CLAMP TB 220V	72.20	1	EA	25	B
CAFL4UL24V	4mm <sup>2</sup> Ø6X32mm 6.3A FUSE SCRWB CLMP TB 24V	77.50	1	EA	25	B
CAFL4UL24VW/F	4mm <sup>2</sup> Ø6X32mm FUSE SCREW CLAMP TB 24V	72.20	1	EA	25	B
CAFL4UL440V	4mm <sup>2</sup> Ø6X32mm 6.3A FUSE SCRWB CLMP TB 440V	77.50	1	EA	25	B
CAFL4UL48V	4mm <sup>2</sup> Ø6X32mm 6.3A FUSE SCRWB CLMP TB 48V	77.50	1	EA	25	B
CAFL4UL48VW/F	4mm <sup>2</sup> Ø6X32mm FUSE SCREW CLAMP TB 48V	72.20	1	EA	25	B
CAFL4UN110VW/F	4mm <sup>2</sup> Ø6X32mm FUSE NEON SCREW CL TB 110V	72.20	1	EA	25	B
CAFL4UN220V	4mm <sup>2</sup> Ø6X32mm 6.3A FUSE NEON SWCL TB 220V	80.30	1	EA	25	B
CAFL4UW/F	4mm <sup>2</sup> Ø6X32mm FUSE SCREW CLAMP TERMINAL	59.40	1	EA	25	B
CASP	POLYAMIDE SPACER BLACK	5.00	1	EA	50	B
CB16/2H	10 mm <sup>2</sup> 2 POLE WITH MOUNT HOLE CERAMIC TB	50.40	1	EA	50	A
CB16/3H	10 mm <sup>2</sup> 3 POLE WITH MOUNT HOLE CERAMIC TB	75.60	1	EA	50	A
CB4/1	2.5 mm <sup>2</sup> 1 POLE FLOATING TYPE CERAMIC TB	22.80	1	EA	50	A
CB4/2	2.5 MM <sup>2</sup> 2 POLE FLOATING TYPE CERAMIC TB	42.00	1	EA	100	A
CB4/2H	2.5MM <sup>2</sup> 2 POLE WITH MOUNT HOLE CERAMIC TB	45.60	1	EA	50	A
CB4/3	2.5 MM <sup>2</sup> 3 POLE FLOATING TYPE CERAMIC TB	60.00	1	EA	50	A
CB4/3H	2.5mm <sup>2</sup> 3 POLE WITH MOUNT HOLE CERAMIC TB	68.40	1	EA	50	A

Part #	Description	List Price in ₹	Per	UOM	Std. Pack	Group
CB6/1	4 mm <sup>2</sup> 1 POLE FLOATING TYPE CERAMIC TB	27.60	1	EA	50	A
CB6/2H	6 mm <sup>2</sup> 2 POLE WITH MOUNT HOLE CERAMIC TB	55.20	1	EA	50	A
CB6/3H	6 mm <sup>2</sup> 3 POLE WITH MOUNT HOLE CERAMIC TB	82.80	1	EA	50	A
CB6/4H	6 mm <sup>2</sup> 4 POLE WITH MOUNT HOLE CERAMIC TB	102.00	1	EA	50	A
CBB120	120 mm <sup>2</sup> FD THRU BOLT/NUT TERMINAL BLOCK	275.00	1	EA	10	B
CBB120BK	120 mm <sup>2</sup> FEED THRU BOLT/NUT TB BLACK	302.50	1	EA	10	B
CBB120BU	120 mm <sup>2</sup> FEED THRU BOLT/NUT TB BLUE	302.50	1	EA	10	B
CBB120LS	120 mm <sup>2</sup> FEED THRU SLOTTED BOLT TERMINAL	286.50	1	EA	10	B
CBB120LSBK	120 mm <sup>2</sup> FEED THRU SLOTTED BOLT TB BLACK	314.60	1	EA	10	B
CBB120LSBU	120 mm <sup>2</sup> FEED THRU SLOTTED BOLT TB BL	314.60	1	EA	10	B
CBB120LSR	120 mm <sup>2</sup> FEED THRU SLOTTED BOLT TB RED	314.60	1	EA	10	B
CBB120LSY	120 mm <sup>2</sup> FEED THRU SLOTTED BOLT TB YE	314.60	1	EA	10	B
CBB120R	120 mm <sup>2</sup> FEED THRU BOLT/NUT TB RED	302.50	1	EA	10	B
CBB120Y	120 mm <sup>2</sup> FEED THRU BOLT/NUT TB YELLOW	302.50	1	EA	10	B
CBB120GN	120 mm <sup>2</sup> FEED THRU BOLT/NUT TB GREEN	302.50	1	EA	10	B
CBB150	150 mm <sup>2</sup> FD THRU BOLT/NUT TERMINAL BLOCK	363.00	1	EA	10	B
CBB150BK	150 mm <sup>2</sup> FEED THRU BOLT/NUT TB BLACK	399.30	1	EA	10	B
CBB150BU	150 mm <sup>2</sup> FEED THRU BOLT/NUT TB BLUE	399.30	1	EA	10	B
CBB150LS	150 mm <sup>2</sup> FEED THRU SLOTTED BOLT TERMINAL	368.50	1	EA	10	B
CBB150LSBK	150 mm <sup>2</sup> FEED THRU SLOTTED BOLT TB BL	405.90	1	EA	10	B
CBB150LSBU	150 mm <sup>2</sup> FEED THRU SLOTTED BOLT TB BL	405.90	1	EA	10	B
CBB150LSR	150 mm <sup>2</sup> FEED THRU SLOTTED BOLT TB RE	405.90	1	EA	10	B
CBB150LSY	150 mm <sup>2</sup> FEED THRU SLOTTED BOLT TB YE	405.90	1	EA	10	B
CBB150R	150 mm <sup>2</sup> FEED THRU BOLT/NUT TB RED	399.30	1	EA	10	B
CBB150Y	150 mm <sup>2</sup> FEED THRU BOLT/NUT TB YELLOW	399.30	1	EA	10	B
CBB150GN	150 mm <sup>2</sup> FEED THRU BOLT/NUT TB GREEN	399.30	1	EA	10	B
CBB185	185 mm <sup>2</sup> FD THRU BOLT/NUT TERMINAL BLOCK	520.00	1	EA	10	B
CBB185BK	185 mm <sup>2</sup> FEED THRU BOLT/NUT TB BLACK	572.00	1	EA	10	B
CBB185BU	185 mm <sup>2</sup> FEED THRU BOLT/NUT TB BLUE	572.00	1	EA	10	B
CBB185LS	185 mm <sup>2</sup> FEED THRU SLOTTED BOLT TERMINAL	491.00	1	EA	10	B
CBB185LSBK	185 mm <sup>2</sup> FEED THRU SLOTTED BOLT TB BLACK	540.00	1	EA	10	B
CBB185LSR	185 mm <sup>2</sup> FEED THRU SLOTTED BOLT TB RED	540.00	1	EA	10	B
CBB185R	185 mm <sup>2</sup> FEED THRU BOLT/NUT TB RED	572.00	1	EA	10	B
CBB185Y	185 mm <sup>2</sup> FEED THRU BOLT/NUT TB YELLOW	572.00	1	EA	10	B
CBB185GN	185 mm <sup>2</sup> FEED THRU BOLT/NUT TB GREEN	572.00	1	EA	10	B
CBB35/50	50 mm <sup>2</sup> FD THRU BOLT/NUT TERMINAL BLOCK	126.00	1	EA	10	B
CBB35/50BK	50 mm <sup>2</sup> FEED THRU BOLT/NUT TB BLACK	138.60	1	EA	10	B
CBB35/50BU	50 mm <sup>2</sup> FEED THRU BOLT/NUT TB BLUE	138.60	1	EA	10	B
CBB35/50GN	50 mm <sup>2</sup> FEED THRU BOLT/NUT TB GREEN	138.60	1	EA	10	B
CBB35/50LS	50 mm <sup>2</sup> FEED THRU SLOTTED BOLT TERMINAL	132.30	1	EA	10	B
CBB35/50LSBK	50 mm <sup>2</sup> FEED THRU SLOTTED BOLT TB BLACK	145.50	1	EA	10	B
CBB35/50LSBU	50 mm <sup>2</sup> FEED THRU SLOTTED BOLT TB BLUE	145.50	1	EA	10	B
CBB35/50LSR	50 mm <sup>2</sup> FEED THRU SLOTTED BOLT TB RED	145.50	1	EA	10	B
CBB35/50LSY	50 mm <sup>2</sup> FEED THRU SLOTTED BOLT TB YELLOW	145.50	1	EA	10	B
CBB35/50R	50 mm <sup>2</sup> FEED THRU BOLT/NUT TB RED	138.60	1	EA	10	B
CBB35/50Y	50 mm <sup>2</sup> FEED THRU BOLT/NUT TB YELLOW	138.60	1	EA	10	B
CBB70	70 mm <sup>2</sup> FD THRU BOLT/NUT TERMINAL BLOCK	175.00	1	EA	10	B
CBB70BK	70 mm <sup>2</sup> FEED THRU BOLT/NUT TB BLACK	192.50	1	EA	10	B
CBB70BU	70 mm <sup>2</sup> FEED THRU BOLT/NUT TB BLUE	192.50	1	EA	10	B
CBB70GN	70 mm <sup>2</sup> FEED THRU BOLT/NUT TB GREEN	192.50	1	EA	10	B
CBB70LS	70 mm <sup>2</sup> FEED THRU SLOTTED BOLT TERMINAL	180.70	1	EA	10	B

Part #	Description	List Price in ₹	Per	UOM	Std. Pack	Group
CBB70LSBK	70 mm <sup>2</sup> FEED THRU SLOTTED BOLT TB BLACK	198.80	1	EA	10	B
CBB70LSBU	70 mm <sup>2</sup> FEED THRU SLOTTED BOLT TB BLUE	198.80	1	EA	10	B
CBB70LSR	70 mm <sup>2</sup> FEED THRU SLOTTED BOLT TB RED	198.80	1	EA	10	B
CBB70LSY	70 mm <sup>2</sup> FEED THRU SLOTTED BOLT TB YELLOW	198.80	1	EA	10	B
CBB70R	70 mm <sup>2</sup> FEED THRU BOLT/NUT TB RED	192.50	1	EA	10	B
CBB70Y	70 mm <sup>2</sup> FEED THRU BOLT/NUT TB YELLOW	192.50	1	EA	10	B
CBB95	95 mm <sup>2</sup> FD THRU BOLT/NUT TERMINAL BLOCK	253.00	1	EA	10	B
CBB95BK	95 mm <sup>2</sup> FEED THRU BOLT/NUT TB BLACK	278.30	1	EA	10	B
CBB95BU	95 mm <sup>2</sup> FEED THRU BOLT/NUT TB BLUE	278.30	1	EA	10	B
CBB95LS	95 mm <sup>2</sup> FEED THRU SLOTTED BOLT TERMINAL	258.50	1	EA	10	B
CBB95LSBK	95 mm <sup>2</sup> FEED THRU SLOTTED BOLT TB BLA	284.40	1	EA	10	B
CBB95LSBU	95 mm <sup>2</sup> FEED THRU SLOTTED BOLT TB BLU	284.40	1	EA	10	B
CBB95LSR	95 mm <sup>2</sup> FEED THRU SLOTTED BOLT TB RED	284.40	1	EA	10	B
CBB95LSY	95 mm <sup>2</sup> FEED THRU SLOTTED BOLT TB YLW	284.40	1	EA	10	B
CBB95R	95 mm <sup>2</sup> FEED THRU BOLT/NUT TB RED	278.30	1	EA	10	B
CBB95Y	95 mm <sup>2</sup> FEED THRU BOLT/NUT TB YELLOW	278.30	1	EA	10	B
CBB95GN	95 mm <sup>2</sup> FEED THRU BOLT/NUT TB GREEN	278.30	1	EA	10	B
CBBPC1/100	PROTECT COVR FR CBB35/50/70/95 100mm LNG	90.90	1	EA	10	B
CBBPC1/130	PROTECT COVR FR CBB35/50/70/95 130mm LNG	120.80	1	EA	10	B
CBBPC1/160	PROTECT COVR FR CBB35/50/70/95 160mm LNG	139.20	1	EA	10	B
CBBPC1/200	PROT CVR FR CBB35/50/70/95 200mm LNG	169.10	1	EA	10	B
CBBPC1/250	PROT CVR FR CBB35/50/70/95 250mm LNG	199.00	1	EA	10	B
CBBPC1/70	PROTECT COVR FR CBB35/50/70/95 70mm LNG	78.20	1	EA	10	B
CBBPC1/80	PROTECT COVR FR CBB35/50/70/95 80mm LNG	85.10	1	EA	10	B
CBBPC2/100	PROTECT COVR FR CBB120/150/185 100mm LNG	104.70	1	EA	10	B
CBBPC2/160	PROT CVR FR CBB120/150/185 160mm LNG	154.10	1	EA	10	B
CBBPC2/200	PROTECT COVR FR CBB120/150/185 200mm	189.80	1	EA	10	B
CBBPC2/250	PROTECT COVR FR CBB120/150/185 250mm LNG	225.40	1	EA	10	B
CBDT4U	6 mm <sup>2</sup> M4 STUD SLIDE LINK DISCONNECT TB	51.50	1	EA	50	B
CBDT4UBK	6 mm <sup>2</sup> M4 STUD SLIDE LNK DISCONNECT TB BLK	56.70	1	EA	50	B
CBDT4UBU	6 mm <sup>2</sup> M4 STUD SLIDE LNK DISCONNECT TB BLU	56.70	1	EA	50	B
CBDT4UGN	6 mm <sup>2</sup> M4 STUD SLIDE LNK DISCONNECT TB GRN	56.70	1	EA	50	B
CBDT4UN	6 mm <sup>2</sup> M4 BR STUD SLIDE LINK DISCONNECT	51.50	1	EA	50	B
CBDT4UR	6 mm <sup>2</sup> M4 STUD SLIDE LNK DISCONNECT TB RED	56.70	1	EA	50	B
CBDT4UY	6 mm <sup>2</sup> M4 STUD SLIDE LNK DISCONNECT TB YLW	56.70	1	EA	50	B
CBS3U	6 mm <sup>2</sup> M3 SCREW BARRIER TYPE TERMINAL	20.20	1	EA	100	B
CBS3UBK	6 mm <sup>2</sup> M3 SCREW BARRIER TYPE TB BLACK	22.20	1	EA	100	B
CBS3UBU	6 mm <sup>2</sup> M3 SCREW BARRIER TYPE TB BLUE	22.20	1	EA	100	B
CBS3UGN	6 mm <sup>2</sup> M3 SCREW BARRIER TYPE TB GREEN	22.20	1	EA	100	B
CBS3UR	6 mm <sup>2</sup> M3 SCREW BARRIER TYPE TB RED	22.20	1	EA	100	B
CBS3UY	6 mm <sup>2</sup> M3 SCREW BARRIER TYPE TB YELLOW	22.20	1	EA	100	B
CBS4U	10 mm <sup>2</sup> M4 SCREW BARRIER TYPE TERMINAL	22.40	1	EA	100	B
CBS4UBK	10 mm <sup>2</sup> M4 SCREW BARRIER TYPE TB BLACK	24.70	1	EA	100	B
CBS4UBU	10 mm <sup>2</sup> M4 SCREW BARRIER TYPE TB BLUE	24.70	1	EA	100	B
CBS4UGN	10 mm <sup>2</sup> M4 SCREW BARRIER TYPE TB GREE	24.70	1	EA	100	B
CBS4UR	10 mm <sup>2</sup> M4 SCREW BARRIER TYPE TB RED	24.70	1	EA	100	B
CBS4UY	10 mm <sup>2</sup> M4 SCREW BARRIER TYPE TB YELLOW	24.70	1	EA	100	B
CBS5U	16 mm <sup>2</sup> M4 SCREW BARRIER TYPE TERMINAL	28.00	1	EA	100	B
CBS5UBK	16 mm <sup>2</sup> M4 SCREW BARRIER TYPE TB BLK	30.80	1	EA	100	B
CBS5UBU	16 mm <sup>2</sup> M4 SCREW BARRIER TYPE TB BLUE	30.80	1	EA	100	B
CBS5UGN	16 mm <sup>2</sup> M4 SCREW BARRIER TYPE TB GRN	30.80	1	EA	100	B

Part #	Description	List Price in ₹	Per	UOM	Std. Pack	Group
CBS5UR	16 mm <sup>2</sup> M4 SCREW BARRIER TYPE TB RED	30.80	1	EA	100	B
CBS5UY	16 mm <sup>2</sup> M4 SCREW BARRIER TYPE TB YELLOW	30.80	1	EA	100	B
CCC4U	4mm <sup>2</sup> COMPONENT CARRIER SCREW CLAMP TB	66.00	1	EA	50	B
CDB10/1	1X35mm <sup>2</sup> I/P 4X10mm <sup>2</sup> O/P DISTR BLOCK	126.00	1	EA	10	B
CDB10/1BK	1X35mm <sup>2</sup> I/P 4X10mm <sup>2</sup> O/P DISTR BLOCK BLK	138.60	1	EA	10	B
CDB10/1BU	1X35mm <sup>2</sup> I/P 4X10mm <sup>2</sup> O/P DB BLU	138.60	1	EA	10	B
CDB10/1R	1X35mm <sup>2</sup> I/P 4X10mm <sup>2</sup> O/P DISTR BLOCK RED	138.60	1	EA	10	B
CDB10/1Y	1X35mm <sup>2</sup> I/P 4X10mm <sup>2</sup> O/P DB YLW	138.60	1	EA	10	B
CDB10/2	1X35mm <sup>2</sup> I/P 8X10mm <sup>2</sup> O/P DISTR BLOCK	172.50	1	EA	10	B
CDB10/2BK	1X35mm <sup>2</sup> I/P 8X10mm <sup>2</sup> O/P DISTR BLOCK BLK	189.80	1	EA	10	B
CDB10/2BU	1X35mm <sup>2</sup> I/P 8X10mm <sup>2</sup> O/P DISTR BLOCK BLU	189.80	1	EA	10	B
CDB10/2GN	1X35mm <sup>2</sup> I/P 8X10mm <sup>2</sup> O/P DISTR BLOCK GRN	189.80	1	EA	10	B
CDB10/2R	1X35mm <sup>2</sup> I/P 8X10mm <sup>2</sup> O/P DISTR BLOCK RED	189.80	1	EA	10	B
CDB10/2Y	1X35mm <sup>2</sup> I/P 8X10mm <sup>2</sup> O/P DISTR BLOCK YLW	189.80	1	EA	10	B
CDB10/3	1X35mm <sup>2</sup> I/P 12X10mm <sup>2</sup> O/P DISTR BLOCK	213.40	1	EA	5	B
CDB10/3BK	1X35mm <sup>2</sup> I/P 12X10mm <sup>2</sup> O/P DISTR BLOCK BLK	234.70	1	EA	5	B
CDB10/3BU	1X35mm <sup>2</sup> I/P 12X10mm <sup>2</sup> O/P DISTR BLOCK BLU	234.70	1	EA	5	B
CDB10/3GN	1X35mm <sup>2</sup> I/P 12X10mm <sup>2</sup> O/P DISTR BLOCK GRN	234.70	1	EA	10	B
CDB10/3R	1X35mm <sup>2</sup> I/P 12X10mm <sup>2</sup> O/P DISTR BLOCK RED	234.70	1	EA	5	B
CDB10/3Y	1X35mm <sup>2</sup> I/P 12X10mm <sup>2</sup> O/P DISTR BLOCK YLW	234.70	1	EA	5	B
CDB10/4	1X35mm <sup>2</sup> I/P 16X10mm <sup>2</sup> O/P DISTR BLOCK	246.00	1	EA	5	B
CDB10/4BK	1X35mm <sup>2</sup> I/P 16X10mm <sup>2</sup> O/P DISTR BLOCK BLK	270.60	1	EA	5	B
CDB10/4BU	1X35mm <sup>2</sup> I/P 16X10mm <sup>2</sup> O/P DISTR BLOCK BLU	270.60	1	EA	5	B
CDB10/4GN	1X35mm <sup>2</sup> I/P 16X10mm <sup>2</sup> O/P DISTR BLOCK GRN	270.60	1	EA	5	B
CDB10/4R	1X35mm <sup>2</sup> I/P 16X10mm <sup>2</sup> O/P DISTR BLOCK RED	270.60	1	EA	5	B
CDB10/4Y	1X35mm <sup>2</sup> I/P 16X10mm <sup>2</sup> O/P DISTR BLOCK YLW	270.60	1	EA	5	B
CDB25/1	1X50mm <sup>2</sup> I/P 4X25mm <sup>2</sup> O/P DISTR BLOCK	262.50	1	EA	10	B
CDB25/1BK	1X50mm <sup>2</sup> I/P 4X25mm <sup>2</sup> O/P DISTR BLOCK BLK	288.80	1	EA	10	B
CDB25/1BU	1X50mm <sup>2</sup> I/P 4X25mm <sup>2</sup> O/P DISTR BLOCK BLU	288.80	1	EA	10	B
CDB25/1GN	1X50mm <sup>2</sup> I/P 4X25mm <sup>2</sup> O/P DISTR BLOCK GRN	288.80	1	EA	10	B
CDB25/1R	1X50mm <sup>2</sup> I/P 4X25mm <sup>2</sup> O/P DISTR BLOCK RED	288.80	1	EA	10	B
CDB25/1Y	1X50mm <sup>2</sup> I/P 4X25mm <sup>2</sup> O/P DISTR BLOCK YLW	288.80	1	EA	10	B
CDB25/2	1X50mm <sup>2</sup> I/P 8X25mm <sup>2</sup> O/P DISTR BLOCK	304.50	1	EA	10	B
CDB25/2BK	1X50mm <sup>2</sup> I/P 8X25mm <sup>2</sup> O/P DISTR BLOCK BLK	335.00	1	EA	10	B
CDB25/2BU	1X50mm <sup>2</sup> I/P 8X25mm <sup>2</sup> O/P DISTR BLOCK BLU	335.00	1	EA	10	B
CDB25/2GN	1X50mm <sup>2</sup> I/P 8X25mm <sup>2</sup> O/P DISTR BLOCK GRN	335.00	1	EA	10	B
CDB25/2R	1X50mm <sup>2</sup> I/P 8X25mm <sup>2</sup> O/P DISTR BLOCK RED	335.00	1	EA	10	B
CDB25/2Y	1X50mm <sup>2</sup> I/P 8X25mm <sup>2</sup> O/P DISTR BLOCK YLW	335.00	1	EA	10	B
CDB25/3	1X50mm <sup>2</sup> I/P 12X25mm <sup>2</sup> O/P DISTR BLOCK	367.50	1	EA	10	B
CDB25/3BK	1X50mm <sup>2</sup> I/P 12X25mm <sup>2</sup> O/P DISTR BLOCK BLK	404.30	1	EA	10	B
CDB25/3BU	1X50mm <sup>2</sup> I/P 12X25mm <sup>2</sup> O/P DISTR BLOCK BLU	404.30	1	EA	10	B
CDB25/3GN	1X50mm <sup>2</sup> I/P 12X25mm <sup>2</sup> O/P DB GRN	404.30	1	EA	10	B
CDB25/3R	1X50mm <sup>2</sup> I/P 12X25mm <sup>2</sup> O/P DISTR BLOCK RED	404.30	1	EA	10	B
CDB25/3Y	1X50mm <sup>2</sup> I/P 12X25mm <sup>2</sup> O/P DISTR BLOCK YLW	404.30	1	EA	10	B
CDB25/4	1X50mm <sup>2</sup> I/P 16X25mm <sup>2</sup> O/P DISTR BLOCK	394.80	1	EA	5	B
CDB25/4BK	1X50mm <sup>2</sup> I/P 16X25mm <sup>2</sup> O/P DISTR BLOCK BLK	434.70	1	EA	5	B
CDB25/4BU	1X50mm <sup>2</sup> I/P 16X25mm <sup>2</sup> O/P DISTR BLOCK BLU	434.70	1	EA	5	B
CDB25/4R	1X50mm <sup>2</sup> I/P 16X25mm <sup>2</sup> O/P DISTR BLOCK RED	434.70	1	EA	5	B
CDB25/4Y	1X50mm <sup>2</sup> I/P 16X25mm <sup>2</sup> O/P DISTR BLOCK YLW	434.70	1	EA	5	B
CDB4/1	1X16mm <sup>2</sup> I/P 4X4mm <sup>2</sup> O/P DISTR BLOCK	101.90	1	EA	10	B
CDB4/10(1)	1X16mm <sup>2</sup> I/P 22X4mm <sup>2</sup> O/P SIDE ENTRY DB	210.00	1	EA	5	B

Part #	Description	List Price in ₹	Per	UOM	Std. Pack	Group
CDB4/1BK	1X16mm <sup>2</sup> I/P 4X4mm <sup>2</sup> O/P DISTR BLOCK BLK	112.40	1	EA	10	B
CDB4/1BU	1X16mm <sup>2</sup> I/P 4X4mm <sup>2</sup> O/P DISTR BLOCK BLU	112.40	1	EA	10	B
CDB4/1GN	1X16mm <sup>2</sup> I/P 4X4mm <sup>2</sup> O/P DB GRN	112.40	1	EA	10	B
CDB4/1R	1X16mm <sup>2</sup> I/P 4X4mm <sup>2</sup> O/P DISTR BLOCK RED	112.40	1	EA	10	B
CDB4/1Y	1X16mm <sup>2</sup> I/P 4X4mm <sup>2</sup> O/P DISTR BLOCK YLW	112.40	1	EA	10	B
CDB4/2	1X16mm <sup>2</sup> I/P 8X4mm <sup>2</sup> O/P DISTR BLOCK	120.80	1	EA	10	B
CDB4/2(1)	1X16mm <sup>2</sup> I/P 6X4mm <sup>2</sup> O/P SIDE ENTRY DB	115.50	1	EA	10	B
CDB4/2BK	1X16mm <sup>2</sup> I/P 8X4mm <sup>2</sup> O/P DISTR BLOCK BLK	133.40	1	EA	10	B
CDB4/2BU	1X16mm <sup>2</sup> I/P 8X4mm <sup>2</sup> O/P DISTR BLOCK BLU	133.40	1	EA	10	B
CDB4/2GN	1X16mm <sup>2</sup> I/P 8X4mm <sup>2</sup> O/P DISTR BLOCK GRN	133.40	1	EA	10	B
CDB4/2R	1X16mm <sup>2</sup> I/P 8X4mm <sup>2</sup> O/P DISTR BLOCK RED	133.40	1	EA	10	B
CDB4/2Y	1X16mm <sup>2</sup> I/P 8X4mm <sup>2</sup> O/P DISTR BLOCK YLW	133.40	1	EA	10	B
CDB4/3	1X16mm <sup>2</sup> I/P 12X4mm <sup>2</sup> O/P DISTR BLOCK	142.80	1	EA	10	B
CDB4/3(1)	1X16mm <sup>2</sup> I/P 8X4mm <sup>2</sup> O/P SIDE ENTRY DB	126.00	1	EA	10	B
CDB4/3BK	1X16mm <sup>2</sup> I/P 12X4mm <sup>2</sup> O/P DISTR BLOCK BLK	157.50	1	EA	10	B
CDB4/3BU	1X16mm <sup>2</sup> I/P 12X4mm <sup>2</sup> O/P DISTR BLOCK BLU	157.50	1	EA	10	B
CDB4/3GN	1X16mm <sup>2</sup> I/P 12X4mm <sup>2</sup> O/P DB GRN	157.50	1	EA	10	B
CDB4/3R	1X16mm <sup>2</sup> I/P 12X4mm <sup>2</sup> O/P DISTR BLOCK RED	157.50	1	EA	10	B
CDB4/3Y	1X16mm <sup>2</sup> I/P 12X4mm <sup>2</sup> O/P DISTR BLOCK YLW	157.50	1	EA	10	B
CDB4/4	1X16mm <sup>2</sup> I/P 16X4mm <sup>2</sup> O/P DISTR BLOCK	178.50	1	EA	10	B
CDB4/4(1)	1X16mm <sup>2</sup> I/P 10X4mm <sup>2</sup> O/P SIDE ENTRY DB	136.50	1	EA	10	B
CDB4/4BK	1X16mm <sup>2</sup> I/P 16X4mm <sup>2</sup> O/P DISTR BLOCK BLK	196.40	1	EA	10	B
CDB4/4BU	1X16mm <sup>2</sup> I/P 16X4mm <sup>2</sup> O/P DISTR BLOCK BLU	196.40	1	EA	10	B
CDB4/4GN	1X16mm <sup>2</sup> I/P 16X4mm <sup>2</sup> O/P DB GRN	196.40	1	EA	10	B
CDB4/4R	1X16mm <sup>2</sup> I/P 16X4mm <sup>2</sup> O/P DISTR BLOCK RED	196.40	1	EA	10	B
CDB4/4Y	1X16mm <sup>2</sup> I/P 16X4mm <sup>2</sup> O/P DISTR BLOCK YLW	196.40	1	EA	10	B
CDB4/5	1X16mm <sup>2</sup> I/P 20X4mm <sup>2</sup> O/P DISTR BLOCK	189.00	1	EA	5	B
CDB4/5(1)	1X16mm <sup>2</sup> I/P 12X4mm <sup>2</sup> O/P SIDE ENTRY DB	147.00	1	EA	5	B
CDB4/5BK	1X16mm <sup>2</sup> I/P 20X4mm <sup>2</sup> O/P DISTR BLOCK BLK	207.90	1	EA	5	B
CDB4/5BU	1X16mm <sup>2</sup> I/P 20X4mm <sup>2</sup> O/P DB BLU	207.90	1	EA	5	B
CDB4/5GN	1X16mm <sup>2</sup> I/P 20X4mm <sup>2</sup> O/P DISTR BLOCK GRN	207.90	1	EA	5	B
CDB4/5R	1X16mm <sup>2</sup> I/P 20X4mm <sup>2</sup> O/P DB RED	207.90	1	EA	5	B
CDB4/5Y	1X16mm <sup>2</sup> I/P 20X4mm <sup>2</sup> O/P DB YLW	207.90	1	EA	5	B
CDB4/6	1X16mm <sup>2</sup> I/P 24X4mm <sup>2</sup> O/P DISTR BLOCK	212.10	1	EA	5	B
CDB4/6(1)	1X16mm <sup>2</sup> I/P 14X4mm <sup>2</sup> O/P SIDE ENTRY DB	157.50	1	EA	5	B
CDB4/6BK	1X16mm <sup>2</sup> I/P 24X4mm <sup>2</sup> O/P DISTR BLOCK BLK	234.20	1	EA	5	B
CDB4/6BU	1X16mm <sup>2</sup> I/P 24X4mm <sup>2</sup> O/P DISTR BLOCK BLU	234.20	1	EA	5	B
CDB4/6GN	1X16mm <sup>2</sup> I/P 24X4mm <sup>2</sup> O/P DISTR BLOCK GRN	234.20	1	EA	5	B
CDB4/6R	1X16mm <sup>2</sup> I/P 24X4mm <sup>2</sup> O/P DISTR BLOCK RED	234.20	1	EA	5	B
CDB4/6Y	1X16mm <sup>2</sup> I/P 24X4mm <sup>2</sup> O/P DISTR BLOCK YLW	234.20	1	EA	5	B
CDB6/1	1X25mm <sup>2</sup> I/P 4X6mm <sup>2</sup> O/P DISTR BLOCK GRY	115.50	1	EA	10	B
CDB6/1BU	1X25mm <sup>2</sup> I/P 4X6mm <sup>2</sup> O/P DISTR BLOCK BLU	127.10	1	EA	10	B
CDB6/1R	1X25mm <sup>2</sup> I/P 4X6mm <sup>2</sup> O/P DISTR BLOCK RED	127.10	1	EA	10	B
CDB6/1Y	1X25mm <sup>2</sup> I/P 4X6mm <sup>2</sup> O/P DISTR BLOCK YLW	127.10	1	EA	10	B
CDB6/2	1X25mm <sup>2</sup> I/P 8X6mm <sup>2</sup> O/P DISTR BLOCK	135.50	1	EA	10	B
CDB6/2BK	1X25mm <sup>2</sup> I/P 8X6mm <sup>2</sup> O/P DISTR BLOCK BLK	149.10	1	EA	10	B
CDB6/2BU	1X25mm <sup>2</sup> I/P 8X6mm <sup>2</sup> O/P DISTR BLOCK BLU	149.10	1	EA	10	B
CDB6/2GN	1X25mm <sup>2</sup> I/P 8X6mm <sup>2</sup> O/P DISTR BLOCK GRN	149.10	1	EA	10	B
CDB6/2R	1X25mm <sup>2</sup> I/P 8X6mm <sup>2</sup> O/P DISTR BLOCK RED	149.10	1	EA	10	B
CDB6/2Y	1X25mm <sup>2</sup> I/P 8X6mm <sup>2</sup> O/P DISTR BLOCK YLW	149.10	1	EA	10	B
CDB6/3	1X25mm <sup>2</sup> I/P 12X6mm <sup>2</sup> O/P DISTR BLOCK	164.90	1	EA	10	B

Part #	Description	List Price in ₹	Per	UOM	Std. Pack	Group
CDB6/3BK	1X25mm <sup>2</sup> I/P 12X6mm <sup>2</sup> O/P DISTR BLOCK BLK	181.70	1	EA	10	B
CDB6/3BU	1X25mm <sup>2</sup> I/P 12X6mm <sup>2</sup> O/P DISTR BLOCK BLU	181.70	1	EA	10	B
CDB6/3GN	1X25mm <sup>2</sup> I/P 12X6mm <sup>2</sup> O/P DISTR BLOCK GRN	181.70	1	EA	10	B
CDB6/3R	1X25mm <sup>2</sup> I/P 12X6mm <sup>2</sup> O/P DISTR BLOCK RED	181.70	1	EA	10	B
CDB6/3Y	1X25mm <sup>2</sup> I/P 12X6mm <sup>2</sup> O/P DISTR BLOCK YLW	181.70	1	EA	10	B
CDB6/4	1X25mm <sup>2</sup> I/P 16X6mm <sup>2</sup> O/P DISTR BLOCK	211.00	1	EA	5	B
CDB6/4BK	1X25mm <sup>2</sup> I/P 16X6mm <sup>2</sup> O/P DISTR BLOCK BLK	232.10	1	EA	5	B
CDB6/4BU	1X25mm <sup>2</sup> I/P 16X6mm <sup>2</sup> O/P DISTR BLOCK BLU	232.10	1	EA	5	B
CDB6/4GN	1X16mm <sup>2</sup> I/P 24X6mm <sup>2</sup> O/P DISTR BLOCK GRN	232.10	1	EA	5	B
CDB6/4R	1X25mm <sup>2</sup> I/P 16X6mm <sup>2</sup> O/P DISTR BLOCK RED	232.10	1	EA	5	B
CDB6/4Y	1X25mm <sup>2</sup> I/P 16X6mm <sup>2</sup> O/P DISTR BLOCK YLW	232.10	1	EA	5	B
CDINS16	DIN RAIL MOUNTABLE SOCKET 15 Amp	500.00	1	EA	10	A
CDINS6	DIN RAIL MOUNTABLE SOCKET 6 Amp	475.00	1	EA	10	A
CDINS6	DIN RAIL MOUNTABLE SOCKET 6 Amp	562.50	1	EA	10	A
CDINS1	DIN RAIL MOUNTABLE SOCKET 16 Amp	562.50	1	EA	1	A
CDINSUK	DIN RAIL MOUNTABLE 7648.UK SOCKET 13Amp	562.50	1	EA	10	A
CDINSW1	DIN RAIL MOUNTABLE 1 POLE SWITCH	475.00	1	EA	10	A
CDINSW2	DIN RAIL MOUNTABLE 2 POLE SWITCH	625.00	1	EA	10	A
CDL4U(E)RC0.22MF	4mm <sup>2</sup> 2LVL SW CL SURG SUPPR RC TYP 0.22MF	345.00	1	EA	32	B
CDL4U(E)SDB24V	4 mm <sup>2</sup> 2 LVL SW CL SUPPRESSOR DIODE 24V	172.50	1	EA	52	B
CDL4U(O)	4 mm <sup>2</sup> 2 LEVEL OPEN TYPE SCREW CLAMP TB	46.00	1	EA	100	B
CDL4UE3LA(230V)	4 mm <sup>2</sup> 2 LEVEL SW CL SURG SUPPR 230V	172.50	1	EA	32	B
CDL4UE3LA(350V)	(SURG SUPP PA TB(350V) GRY)	172.50	1	EA	32	B
CDL4UE3LA(600V)	(SURG SUPP PA TB(600V) GRY)	172.50	1	EA	32	B
CDL4UE3LA(90V)	4 mm <sup>2</sup> 2 LEVEL SW CL SURG SUPPR 90V	172.50	1	EA	32	B
CDL4UED1	4 mm <sup>2</sup> 2 LEVEL SCREW CLAMP DIODE D1 TB	57.50	1	EA	100	B
CDL4UED2	4 mm <sup>2</sup> 2 LEVEL SCREW CLAMP DIODE D2 TB	57.50	1	EA	100	B
CDL4UED3	4 mm <sup>2</sup> 2 LEVEL SCREW CLAMP DIODE D3 TB	57.50	1	EA	100	B
CDL4UED4	ACTV CKT D4 PA TB(12V) GRY	57.50	1	EA	100	B
CDL4UED5	4 mm <sup>2</sup> 2 LEVEL SCREW CLAMP DIODE D5 T	57.50	1	EA	100	B
CDL4UEDD1	4 mm <sup>2</sup> 2 LEVEL SCREW CLAMP 2 DIODE DD1 TB	57.50	1	EA	100	B
CDL4UEDD2	4 mm <sup>2</sup> 2 LEVEL SCREW CLAMP 2 DIODE DD2 TB	57.50	1	EA	100	B
CDL4UEDD3	4 mm <sup>2</sup> 2 LEVEL SCREW CLAMP 2 DIODE DD3 TB	57.50	1	EA	100	B
CDL4UEDD4	4 mm <sup>2</sup> 2 LEVEL SCREW CLAMP 2 DIODE DD4 TB	57.50	1	EA	100	B
CDL4UEDD5	4 mm <sup>2</sup> 2 LVL SCRW CL 12V DIODE DD5 TB	57.50	1	EA	100	B
CDL4UEL1-24V	4 mm <sup>2</sup> 2 LEVEL SCREW CLAMP 24V LED L1 TB	57.50	1	EA	100	B
CDL4UEL2-24V	4 mm <sup>2</sup> 2 LEVEL SCREW CLAMP 24V LED L2 TB	57.50	1	EA	100	B
CDL4UELA(1000V)	(SURG SUPP PA TB(1000V) GRY)	149.50	1	EA	32	B
CDL4UELA(2000V)	(SURG SUPP PA TB(2000V) GRY)	149.50	1	EA	32	B
CDL4UELA(240V)	(SURG SUPP PA TB(240V) GRY)	149.50	1	EA	32	B
CDL4UELA(600V)	4 MM <sup>2</sup> 2 LEVEL SW CL SURG SUPPR 600V	149.50	1	EA	32	B
CDL4UELD1-110V	4 mm <sup>2</sup> 2 LEVEL SCRW CLAMP 110V LED LD1 TB	57.50	1	EA	100	B
CDL4UELD1-24V	4 mm <sup>2</sup> 2 LEVEL SCRW CLAMP 24V LED LD1 TB	57.50	1	EA	100	B
CDL4UELD2-24V	4 mm <sup>2</sup> 2 LEVEL SCRW CLAMP 24V LED LD2 TB	57.50	1	EA	100	B
CDL4UELD3-12V	4 mm <sup>2</sup> 2 LEVEL SCREW CLAMP 12V LED LD	57.50	1	EA	100	B
CDL4UELD3-24V	4 mm <sup>2</sup> 2 LEVEL SCREW CLAMP 24V LED LD3 TB	57.50	1	EA	100	B
CDL4UELD4-24V	4 mm <sup>2</sup> 2 LEVEL SCREW CLAMP 24V LED LD4 TB	57.50	1	EA	100	B
CDL4UELD4-48V	4 mm <sup>2</sup> 2 LEVEL SCREW CLAMP 48V LED LD4 TB	57.50	1	EA	100	B
CDL4UELD5-110V	4 mm <sup>2</sup> 2 LEVEL SCRW CLAMP 110V LED LD5 TB	57.50	1	EA	100	B
CDL4UELD5-220V	4 mm <sup>2</sup> 2 LEVEL SCRW CLAMP 220V LED LD5 TB	57.50	1	EA	100	B
CDL4UELD5-24V	4 mm <sup>2</sup> 2 LEVEL SCREW CLAMP 24V LED LD5 TB	57.50	1	EA	100	B

Part #	Description	List Price in ₹	Per	UOM	Std. Pack	Group
CDL4UEN1-110V	4 mm <sup>2</sup> 2 LEVEL SCR CL 110V NEON N1 TB	57.50	1	EA	100	B
CDL4UEN1-220V	4 mm <sup>2</sup> 2 LEVEL SCREW CLMP 220V NEON N1 TB	57.50	1	EA	100	B
CDL4UERCO-0.1MF	4 mm <sup>2</sup> 2LVL SW CL SURG SUPPR RC TYP 0.1MF	287.50	1	EA	32	B
CDL4UERR1	4 mm <sup>2</sup> 2 LVL SW CL 2 RESISTOR RR1 TB	80.50	1	EA	100	B
CDL4UESDB-160V	4 MM <sup>2</sup> 2 LVL SW CL SUPPRESSOR DIODE 160V	172.50	1	EA	52	B
CDL4UN	4 mm <sup>2</sup> 2 LEVEL SCREW CLAMP TERMINAL BLOCK	25.50	1	EA	100	B
CDL4UN(I.S)	4 mm <sup>2</sup> 2 LEVEL SCREW CLAMP INT SHORTED TB	34.50	1	EA	100	B
CDL4UN(I.S)BK	4 mm <sup>2</sup> 2 LEVEL SCRW CLMP INT SHRTD TB BLK	38.00	1	EA	100	B
CDL4UN(I.S)BU	4 mm <sup>2</sup> 2 LEVEL SCRW CLMP INT SHRTD TB BLU	38.00	1	EA	100	B
CDL4UN(I.S)GN	4 mm <sup>2</sup> 2 LEVEL SCRW CLMP INT SHRTD TB GRN	38.00	1	EA	100	B
CDL4UN(I.S)R	4 mm <sup>2</sup> 2 LEVEL SCRW CLMP INT SHRTD TB RED	38.00	1	EA	100	B
CDL4UN(I.S)Y	4 mm <sup>2</sup> 2 LEVEL SCRW CLMP INT SHRTD TB YLW	38.00	1	EA	100	B
CDL4UNBK	4 mm <sup>2</sup> 2 LVL SCRW CLMP TERMINAL BLOCK BLK	28.10	1	EA	100	B
CDL4UNBU	4 mm <sup>2</sup> 2 LVL SCRW CLMP TERMINAL BLOCK BLU	28.10	1	EA	100	B
CDL4UNGN	4 mm <sup>2</sup> 2 LVL SCRW CLMP TERMINAL BLOCK GRN	28.10	1	EA	100	B
CDL4UNR	4 mm <sup>2</sup> 2 LVL SCRW CLMP TERMINAL BLOCK RED	28.10	1	EA	100	B
CDL4UNSP	POLYAMIDE SPACER FOR CDL4UN SERIES	8.60	1	EA	100	B
CDL4UNY	4 mm <sup>2</sup> 2 LVL SCRW CLMP TERMINAL BLOCK YLW	28.10	1	EA	100	B
CDL4USP	POLYAMIDE SPACER FOR CDL4U SERIES	8.60	1	EA	50	B
CDLG2.5	2.5 mm <sup>2</sup> 2 LEVEL + GROUND SCREW CLAMP TB	157.90	1	EA	20	B
CDLG4	4 mm <sup>2</sup> FEED THRU + GROUND SCREW CLAMP TB	89.50	1	EA	100	B
CDLG4(I.S)	4 mm <sup>2</sup> 2 LEVEL SCREW CLAMP GROUND TB	100.00	1	EA	100	B
CDS6U	6 mm <sup>2</sup> SLIDE LINK DISCONNECT SCRW CLMP TB	53.00	1	EA	50	B
CDS6U/FT	6 mm <sup>2</sup> FEED THRU CDS6U PROFILE SW CLMP TB	50.10	1	EA	50	B
CDS6U/FTS	6 mm <sup>2</sup> FD THRU CDS6U PROF 1 TST SOC SW CL	52.40	1	EA	50	B
CDS6U/FTSS	6 mm <sup>2</sup> FD THRU CDS6U PROF 2 TST SOC S	54.60	1	EA	50	B
CDS6U/SC	6 mm <sup>2</sup> DISCONNECT SPRING LOADED SW CL TB	91.00	1	EA	50	B
CDS6U/TS	6 mm <sup>2</sup> SLIDE LINK DISCON TEST SOC SW CL TB	80.80	1	EA	20	B
CDS6UBK	6 mm <sup>2</sup> SLIDE LINK DISCON SCRW CLMP TB BLK	59.00	1	EA	50	B
CDS6UBU	6 mm <sup>2</sup> SLIDE LINK DISCON SCRW CLMP TB BLU	59.00	1	EA	50	B
CDS6UGN	6 mm <sup>2</sup> SLIDE LINK DISCON SCRW CLMP TB GRN	59.00	1	EA	50	B
CDS6UR	6 mm <sup>2</sup> SLIDE LINK DISCON SCRW CLMP TB RED	59.00	1	EA	50	B
CDS6USH	6 mm <sup>2</sup> DISCONNECT SHORTED SCREW CLAMP TB	125.00	1	EA	22	B
CDS6UY	6 mm <sup>2</sup> SLIDE LINK DISCON SCRW CLMP TB YLW	59.00	1	EA	50	B
CDTPC1	PROTECTIVE COVER FOR 2nos CMDT4 TB'S	15.00	1	EA	100	B
CDTPC2	PROTECTIVE COVER FOR 3nos CMDT4 TB'S	23.00	1	EA	100	B
CDTPC3	PROTECTIVE COVER FOR CMDT4 100mm LONG	52.90	1	EA	10	B
CDTPC4	PROTECTIVE COVER FOR CMDT4 200mm LONG	96.60	1	EA	10	B
CDTPC5	PROTECTIVE COVER FOR CMDT4 300mm LONG	146.10	1	EA	10	B
CDTTU	10mm <sup>2</sup> SLIDE LINK DISCONNECT SCREW CLMP TB	77.00	1	EA	50	B
CDTTUBK	10mm <sup>2</sup> SLIDE LINK DISCON SCRW CLMP TB BLK	84.70	1	EA	50	B
CDTTUBU	10mm <sup>2</sup> SLIDE LINK DISCON SCRW CLMP TB BLU	84.70	1	EA	50	B
CDTTUFT	10mm <sup>2</sup> FEED THRU CDTTU PRO SCREW CLAMP	66.00	1	EA	50	B
CDTTUFTSC	DISCON & TEST PA TB GRY WITH SAFETY CONN	77.00	1	EA	50	B
CDTTUGN	10mm <sup>2</sup> SLIDE LINK DISCON SCRW CLMP TB GRN	84.70	1	EA	50	B
CDTTUR	10mm <sup>2</sup> SLIDE LINK DISCON SCRW CLMP TB RED	84.70	1	EA	50	B
CDTTUSC	10 mm <sup>2</sup> DISCONNECT SPRING LOADED SW CL TB	85.80	1	EA	50	B
CDTTUSH	10 mm <sup>2</sup> DISCONNECT SHORTD SCREW CLAMP TB	165.00	1	EA	20	B
CDTTUY	10mm <sup>2</sup> SLIDE LINK DISCON SCRW CLMP TB YLW	84.70	1	EA	50	B
CENC16	16mm <sup>2</sup> NEUTRAL/EARTH CLAMP GREEN	14.50	1	EA	50	B
CENC16/Y	16mm <sup>2</sup> NEUTRAL/EARTH CLAMP GREEN / YE	14.60	1	EA	50	B

Part #	Description	List Price in ₹	Per	UOM	Std. Pack	Group
CENC16BK	16mm <sup>2</sup> NEUTRAL/EARTH CLAMP BLACK	16.00	1	EA	50	B
CENC16BU	16mm <sup>2</sup> NEUTRAL/EARTH CLAMP BLUE	16.00	1	EA	50	B
CENC16G	16.0 SQ NEUTRAL/EARTH CLAMP GRY	16.00	1	EA	50	B
CENC16R	16mm <sup>2</sup> NEUTRAL/EARTH CLAMP RED	16.00	1	EA	50	B
CENC16Y	16mm <sup>2</sup> NEUTRAL/EARTH CLAMP YELLOW	16.00	1	EA	50	B
CENC35	35mm <sup>2</sup> NEUTRAL/EARTH CLAMP GREEN	26.00	1	EA	50	B
CENC35BK	35mm <sup>2</sup> NEUTRAL/EARTH CLAMP BLACK	28.60	1	EA	50	B
CENC35R	35mm <sup>2</sup> NEUTRAL/EARTH CLAMP RED	28.60	1	EA	50	B
CENC35BU	35mm <sup>2</sup> NEUTRAL/EARTH CLAMP BLUE	28.60	1	EA	50	B
CENC35G	35mm <sup>2</sup> NEUTRAL/EARTH CLAMP GREY	28.60	1	EA	50	B
CENC35Y	35mm <sup>2</sup> NEUTRAL/EARTH CLAMP YELLOW	28.60	1	EA	50	B
CENC4	4mm <sup>2</sup> NEUTRAL/EARTH CLAMP GREEN	11.00	1	EA	50	B
CENC4BK	4mm <sup>2</sup> NEUTRAL/EARTH CLAMP BLACK	12.10	1	EA	50	B
CENC4BU	4mm <sup>2</sup> NEUTRAL/EARTH CLAMP BLUE	12.10	1	EA	50	B
CENC4G	4mm <sup>2</sup> NEUTRAL/EARTH CLAMP GRY	12.10	1	EA	50	B
CENC4R	4mm <sup>2</sup> NEUTRAL/EARTH CLAMP RED	12.10	1	EA	50	B
CENC4Y	4mm <sup>2</sup> NEUTRAL/EARTH CLAMP YELLOW	12.10	1	EA	50	B
CF4SP	4mm <sup>2</sup> Ø5X20mm FUSE 6mm WIDE TERMINAL BLOCK	57.20	1	EA	50	B
CF4SPD1	4 mm <sup>2</sup> SCREW CLAMP DIODE D1 (1N4007) TB	69.00	1	EA	50	B
CF4SPD2	4 mm <sup>2</sup> SCREW CLAMP DIODE D2 (1N5408) TB	80.50	1	EA	50	B
CF4SPD3	4 mm <sup>2</sup> SCREW CLAMP DIODE D3 (1N5820) TB	92.00	1	EA	50	B
CF4SPFT	4mm <sup>2</sup> CF4SP PRO FEED THRU SCREW CLAMP TB	44.00	1	EA	50	B
CF4SPL110-240V	4mm <sup>2</sup> Ø5X20mm FUSE SC CL TB LED 110-240V	68.20	1	EA	50	B
CF4SPL110-240VBU	4mm <sup>2</sup> Ø5X20mm FUSE SC CL TB LED 110-240V B	75.10	1	EA	50	B
CF4SPL6-60V	4mm <sup>2</sup> Ø5X20mm FUSE SC CL TB LED 6-60V	68.20	1	EA	50	B
CF4SPL6-60VBK	4mm <sup>2</sup> Ø5X20mm FUSE SC CL TB LED 6-60V BLK	75.10	1	EA	50	B
CF4SPL6-60VBU	4mm <sup>2</sup> Ø5X20mm FUSE SC CL TB LED 6-60V BU	75.10	1	EA	50	B
CF4SPL6-60VR	4mm <sup>2</sup> Ø5X20mm FUSE SC CL TB LED 6-60V RED	75.10	1	EA	50	B
CF4U	4mm <sup>2</sup> Ø5X20mm FUSE SCREW CLAMP TERMINAL	35.50	1	EA	100	B
CF4U0.05	4mm <sup>2</sup> Ø5X20mm 50mAMP SCREW CLAMP FUSE TB	42.70	1	EA	100	B
CF4U0.1	4mm <sup>2</sup> Ø5X20mm 100mAMP SCREW CLAMP FUSE TB	42.70	1	EA	100	B
CF4U0.5	4mm <sup>2</sup> Ø5X20mm 500mAMP SCREW CLAMP FUSE TB	42.70	1	EA	100	B
CF4U1.0	4mm <sup>2</sup> Ø5X20mm 1 AMP SCREW CLAMP FUSE TB	42.70	1	EA	100	B
CF4U2.0	4mm <sup>2</sup> Ø5X20mm 2 AMP SCREW CLAMP FUSE TB	42.70	1	EA	100	B
CF4U4	4mm <sup>2</sup> Ø5X20mm 4 AMP SCREW CLAMP FUSE TB	42.70	1	EA	100	B
CF4U5.0	4mm <sup>2</sup> Ø5X20mm 5 AMP SCREW CLAMP FUSE TB	42.70	1	EA	100	B
CF4U6	4mm <sup>2</sup> Ø5X20mm 6 AMP SCREW CLAMP FUSE TB	42.70	1	EA	100	B
CF4U6.3	4mm <sup>2</sup> Ø5X20mm 6.3 AMP SCREW CLAMP FUSE TB	42.70	1	EA	100	B
CF4U63MA	4mm <sup>2</sup> Ø5X20mm 63mAMP SCREW CLAMP FUSE	42.70	1	EA	100	B
CF4UBK	4mm <sup>2</sup> Ø5X20mm SCREW CLAMP FUSE TB BLACK	39.10	1	EA	100	B
CF4UBU	4mm <sup>2</sup> Ø5X20mm SCREW CLAMP FUSE TB BLUE	39.10	1	EA	100	B
CF4UL110-240V	4mm <sup>2</sup> Ø5X20mm SW CL FUSE TB 110-240V	50.90	1	EA	100	B
CF4UL110-240V0.1	4mm <sup>2</sup> Ø5X20mm 100mA SW CL FUS TB110-240V	55.60	1	EA	100	B
CF4UL110-240V0.5	4mm <sup>2</sup> Ø5X20mm 500mA SW CL FUS TB110-240V	55.60	1	EA	100	B
CF4UL110-240V1.0	4mm <sup>2</sup> Ø5X20mm 1A SW CL FUSE TB 110-240V	55.60	1	EA	100	B
CF4UL110-240V2.0	4mm <sup>2</sup> Ø5X20mm 2mA SW CL FUSE TB 110-240V	55.60	1	EA	100	B
CF4UL110-240V3.0	4mm <sup>2</sup> Ø5X20mm 3mA SW CL FUSE TB 110-2	55.60	1	EA	100	B
CF4UL110-240V4.0	4mm <sup>2</sup> Ø5X20mm 4A SW CL FUSE TB 110-240V	55.60	1	EA	100	B
CF4UL110-240V5.0	4mm <sup>2</sup> Ø5X20mm 5mA SW CL FUSE TB 110-240V	55.60	1	EA	100	B
CF4UL110-240V6.3	4mm <sup>2</sup> Ø5X20mm 6.3mA SW CL FUS TB110-240V	55.60	1	EA	100	B
CF4UL110-240V63MA	4mm <sup>2</sup> Ø5X20mm 63mA SW CL FUS TB110-240V	55.60	1	EA	100	B

Part #	Description	List Price in ₹	Per	UOM	Std. Pack	Group
CF4UL110-240VBK	SL 4.0 SQ PA (W/O FUSE) CLSD TB BLK(LED)	56.20	1	EA	100	B
CF4UL110-240VBU	4mm <sup>2</sup> Ø5X20mm SW CL FUSE TB 110-240V BLU	56.20	1	EA	100	B
CF4UL440V5.0	4mm <sup>2</sup> Ø5X20mm 5mA SW CL FUSE TB 440V	55.60	1	EA	100	B
CF4UL6-60V	4mm <sup>2</sup> Ø5X20mm SCREW CLAMP FUSE TB 6-60V	50.90	1	EA	100	B
CF4UL6-60V0.1	4mm <sup>2</sup> Ø5X20mm 100mA SW CL FUSE TB 6-60V	55.60	1	EA	100	B
CF4UL6-60V0.5	4mm <sup>2</sup> Ø5X20mm 500mA SW CL FUSE TB 6-60V	55.60	1	EA	100	B
CF4UL6-60V1.0	4mm <sup>2</sup> Ø5X20mm 1AMP SW CL FUSE TB 6-60V	55.60	1	EA	100	B
CF4UL6-60V2.0	4mm <sup>2</sup> Ø5X20mm 2AMP SW CL FUSE TB 6-60V	55.60	1	EA	100	B
CF4UL6-60V3.0	4mm <sup>2</sup> Ø5X20mm 3AMP SW CL FUSE TB 6-60	55.60	1	EA	100	B
CF4UL6-60V4.0	4mm <sup>2</sup> Ø5X20mm 4AMP SW CL FUSE TB 6-60V	55.60	1	EA	100	B
CF4UL6-60V5.0	4mm <sup>2</sup> Ø5X20mm 5AMP SW CL FUSE TB 6-60V	55.60	1	EA	100	B
CF4UL6-60V6.3	4mm <sup>2</sup> Ø5X20mm 6.3AMP SW CL FUSE TB 6-60V	55.60	1	EA	100	B
CF4UL6-60VBK	4mm <sup>2</sup> Ø5X20mm SCREW CL FUSE TB 6-60V BLK	56.20	1	EA	100	B
CF4UL6-60VBU	4mm <sup>2</sup> Ø5X20mm SCREW CL FUSE TB 6-60V BLU	56.20	1	EA	100	B
CGMT4	4 mm <sup>2</sup> SCREW CLMP GROUND TB FR DIN15 RAIL	40.00	1	EA	100	B
CGT10N	10 mm <sup>2</sup> SCREW CLAMP GROUND TERMINAL BLOCK	80.00	1	EA	50	B
CGT10U	10 mm <sup>2</sup> SW CL GROUND TB FR DIN 32/35 RAIL	86.30	1	EA	50	B
CGT16N	16 mm <sup>2</sup> SCREW CLAMP GROUND TERMINAL BLOCK	95.00	1	EA	50	B
CGT35U	35 mm <sup>2</sup> SW CL GROUND TB FR DIN 32/35 RAIL	205.00	1	EA	20	B
CGT4N	4 mm <sup>2</sup> SCREW CLAMP GROUND TERMINAL BLOCK	57.00	1	EA	50	B
CGT4U	4 mm <sup>2</sup> SW CL GROUND TB FR DIN 32/35 RAIL	59.80	1	EA	50	B
CGT50/70N	70 mm <sup>2</sup> SCREW CLAMP GROUND TERMINAL BLK	495.00	1	EA	20	B
CGT6N	6 mm <sup>2</sup> SCREW CLAMP GROUND TERMINAL BLOCK	68.50	1	EA	50	B
CHV10U	10 mm <sup>2</sup> FD THRU HIGH VOLTAGE SCREW CL TB	27.00	1	EA	50	B
CHV4U	4 mm <sup>2</sup> FD THRU HIGH VOLTAGE SCREW CL TB	20.00	1	EA	50	B
CHV6U	6 mm <sup>2</sup> FD THRU HIGH VOLTAGE SCREW CL TB	23.00	1	EA	50	B
CKT4SP	4 mm <sup>2</sup> KNIF DISCON TEST SOCKT SP SW CL TB	55.00	1	EA	50	B
CKT4SPSC	4 mm <sup>2</sup> KNIFE DISCON SPRING LOADED SW CL TB	66.00	1	EA	50	B
CKT4U	4 mm <sup>2</sup> KNIFE DISCON TEST SOCKET SW CL TB	34.50	1	EA	50	B
CKT4U/4	4 mm <sup>2</sup> 4 WIRE KNIFE DISCON SCREW CL TB	61.00	1	EA	50	B
CKT4U/S	4 mm <sup>2</sup> KNIFE DISCON SLOTTED SCREW CL TB	32.30	1	EA	50	B
CKT4UH	4 mm <sup>2</sup> KNIFE DISC TST SOCKET HAND OPRT TB	37.40	1	EA	50	B
CKT4UBU	4 mm <sup>2</sup> KNIFE DISCONNECT SCREW CL TB BLU	38.00	1	EA	50	B
CKT4UD1	4 mm <sup>2</sup> 2 WIRE KNIFE DISCON SW CL DIODE TB	44.90	1	EA	50	B
CKT4UD2	4 mm <sup>2</sup> 2 WIRE KNIFE DISCON SW CL DIODE TB	44.90	1	EA	50	B
CKT4UR	4 mm <sup>2</sup> KNIFE DISCON TEST SOC SW CL TB RED	38.00	1	EA	50	B
CKT4UY	4 mm <sup>2</sup> KNIFE DISCON TEST SOC SW CL TB YLW	38.00	1	EA	50	B
CKT6U	6 mm <sup>2</sup> KNIFE DISCON TEST SOCKET SW CL TB	65.00	1	EA	50	B
CLP35/2	35 mm <sup>2</sup> FD THRU 3 WIRE SCREW CLMP TB	155.00	1	EA	20	A
CM1.5S	1.5 mm <sup>2</sup> PANEL MOUNT SPRING CLMP 2 WRE TB	5.40	1	EA	100	A
CM1.5S2	1.5 mm <sup>2</sup> PANEL MOUNT SPRING CLMP 4 WRE TB	9.40	1	EA	100	A
CM1.5S2BK	1.5 mm <sup>2</sup> PANEL MOUNT SP CL 4 WRE BLACK	10.30	1	EA	100	A
CM1.5S2BU	1.5 mm <sup>2</sup> PANEL MOUNT SPRING CLMP 2 WRE TB	10.30	1	EA	100	A
CM1.5S2GN	1.5 mm <sup>2</sup> PANEL MOUNT SP CL 4 WRE GREE	10.30	1	EA	100	A
CM1.5S2O	1.5 mm <sup>2</sup> PANEL MOUNT SP CL 4 WRE ORANGE	10.30	1	EA	100	A
CM1.5S2R	1.5 mm <sup>2</sup> PANEL MOUNT SP CL 4 WRE RED	10.30	1	EA	100	A
CM1.5S2Y	1.5 mm <sup>2</sup> PANEL MOUNT SP CL 4 WRE YELLOW	10.30	1	EA	100	A
CM1.5S2YG	1.5 mm <sup>2</sup> PANEL MOUNT SP CL 4W TB YLW GRN	11.90	1	EA	100	A
CM1.5SBK	1.5 mm <sup>2</sup> PANEL MOUNT SP CL 2 WRE TB BLK	6.00	1	EA	100	A
CM1.5SBU	1.5 mm <sup>2</sup> PANEL MOUNT SP CL 2 WRE TB BLU	6.00	1	EA	100	A
CM1.5SO	1.5 mm <sup>2</sup> PANEL MOUNT SP CL 2 WRE TB ORG	6.00	1	EA	100	A

Part #	Description	List Price in ₹	Per	UOM	Std. Pack	Group
CM1.5SR	1.5 mm <sup>2</sup> PANEL MOUNT SP CL 2 WRE TB RED	6.00	1	EA	100	A
CM1.5SY	1.5 mm <sup>2</sup> PANEL MOUNT SP CL 2 WRE TB YLW	6.00	1	EA	100	A
CM1.5SYG	1.5 mm <sup>2</sup> PANEL MOUNT SP CL 2W TB YLW GRN	7.10	1	EA	100	A
CM1.5SGN	1.5 mm <sup>2</sup> PANEL MOUNT SP CL 2 WIRE GREEN	6.00	1	EA	100	A
CM2.5S	2.5 mm <sup>2</sup> PANEL MOUNT SPRING CLMP 2 WRE TB	6.40	1	EA	100	A
CM2.5S2	2.5 mm <sup>2</sup> PANEL MOUNT SPRING CLMP 4 WRE TB	11.80	1	EA	100	A
CM2.5S2BK	2.5 mm <sup>2</sup> PANEL MOUNT SP CL 4 WRE TB BLK	13.00	1	EA	100	A
CM2.5S2BU	2.5 mm <sup>2</sup> PANEL MOUNT SP CL 4 WRE TB BLU	13.00	1	EA	100	A
CM2.5S2O	2.5 mm <sup>2</sup> PANEL MOUNT SP CL 4 WIRE TB ORG	13.00	1	EA	100	A
CM2.5S2R	2.5 mm <sup>2</sup> PANEL MOUNT SPG CLMP 4WRE TB RED	13.00	1	EA	100	A
CM2.5S2Y	2.5 mm <sup>2</sup> PANEL MOUNT SP CL 4 WRE TB YLW	13.00	1	EA	100	A
CM2.5S2YG	2.5 mm <sup>2</sup> PANEL MOUNT SP CL 4W TB YLW GRN	14.30	1	EA	100	A
CM2.5S2GN	2.5 mm <sup>2</sup> PANEL MOUNT SP CL 4 WRE TB GRN	13.00	1	EA	100	A
CM2.5SBK	2.5 mm <sup>2</sup> PANEL MOUNT SP CL 2 WRE TB BLK	7.10	1	EA	100	A
CM2.5SBU	2.5 mm <sup>2</sup> PANEL MOUNT SP CL 2 WRE TB BLU	7.10	1	EA	100	A
CM2.5SO	2.5 mm <sup>2</sup> PANEL MOUNT SP CL 2 WRE TB ORG	7.10	1	EA	100	A
CM2.5SR	2.5 mm <sup>2</sup> PANEL MOUNT SPG CLMP 2WRE TB RED	7.10	1	EA	100	A
CM2.5SY	2.5 mm <sup>2</sup> PANEL MOUNT SP CL 2 WRE TB YLW	7.10	1	EA	100	A
CM2.5SYG	2.5 mm <sup>2</sup> PANEL MOUNT SP CL 2W TB YLW GRN	8.50	1	EA	100	A
CM2.5SGN	2.5 mm <sup>2</sup> PANEL MOUNT SP CL 2 WRE TB GRN	7.10	1	EA	100	A
CM4S	4mm <sup>2</sup> PANEL MOUNT SP CL SIDE ENTRY 2W TB	10.70	1	EA	100	A
CM4S2	4mm <sup>2</sup> PANEL MOUNT SP CL SIDE ENTRY 4W TB	19.00	1	EA	100	A
CM4S2BK	4mm <sup>2</sup> PANEL MOUNT SP CL SIDE ENTRY TB BLK	20.90	1	EA	100	A
CM4S2BU	4mm <sup>2</sup> PANEL MOUNT SP CL SIDE ENTRY TB BLU	20.90	1	EA	100	A
CM4S2O	4mm <sup>2</sup> PANEL MOUNT SP CL SIDE ENTRY TB ORG	20.90	1	EA	100	A
CM4S2R	4mm <sup>2</sup> PANEL MOUNT SP CL SIDE ENTRY TB RED	20.90	1	EA	100	A
CM4S2Y	4mm <sup>2</sup> PANEL MOUNT SP CL SIDE ENTRY TB YLW	20.90	1	EA	100	A
CM4S2YG	4mm <sup>2</sup> PANEL MOUNT SP CL 4W TB YLW GRN	22.90	1	EA	100	A
CM4S2GN	4mm <sup>2</sup> PANEL MOUNT SP CL SIDE ENTRY 4W GRN	20.90	1	EA	100	A
CM4SGN	4mm <sup>2</sup> PANEL MOUNT SP CL SIDE ENTRY TB GRN	11.80	1	EA	100	A
CM4SBK	4mm <sup>2</sup> PANEL MOUNT SP CL SIDE ENTRY TB BLK	11.80	1	EA	100	A
CM4SBU	4mm <sup>2</sup> PANEL MOUNT SP CL SIDE ENTRY TB BLU	11.80	1	EA	100	A
CM4SO	4mm <sup>2</sup> PANEL MOUNT SP CL SIDE ENTRY TB ORG	11.80	1	EA	100	A
CM4SR	4mm <sup>2</sup> PANEL MOUNT SP CL SIDE ENTRY TB RED	11.80	1	EA	100	A
CM4SY	4mm <sup>2</sup> PANEL MOUNT SP CL SIDE ENTRY TB YLW	11.80	1	EA	100	A
CM4SYG	4mm <sup>2</sup> PANEL MOUNT SP CL 2W TB YLW GRN	14.00	1	EA	100	A
CM4USC	4 mm <sup>2</sup> FEED THRU SPRING LOADED TERMINAL	18.00	1	EA	100	B
CM4USCUBU	4 mm <sup>2</sup> FEED THRU SPRING LOADED TB BLUE	19.80	1	EA	100	B
CMB4	4 mm <sup>2</sup> PANEL MOUNT SCREW CLAMP TERMINAL	9.30	1	EA	100	B
CMB4/10	4 mm <sup>2</sup> PANEL MOUNT 10POLE SCREW CLAMP TB	112.50	1	EA	50	B
CMB4/11	4 mm <sup>2</sup> PANEL MOUNT 11POLE SCREW CLAMP	123.80	1	EA	50	B
CMB4/12	4 mm <sup>2</sup> PANEL MOUNT 12POLE SCREW CLAMP TB	135.00	1	EA	50	B
CMB4/13	4 mm <sup>2</sup> PANEL MOUNT 13POLE SCREW CLAMP	146.30	1	EA	50	B
CMB4/14	4 mm <sup>2</sup> PANEL MOUNT 14POLE SCREW CLAMP	157.50	1	EA	50	B
CMB4/15	4 mm <sup>2</sup> PANEL MOUNT 15POLE SCREW CLAMP	168.80	1	EA	50	B
CMB4/2	4 mm <sup>2</sup> PANEL MOUNT 2POLE SCREW CLAMP TB	22.50	1	EA	100	B
CMB4/3	4 mm <sup>2</sup> PANEL MOUNT 3POLE SCREW CLAMP TB	33.80	1	EA	100	B
CMB4/4	4 mm <sup>2</sup> PANEL MOUNT 4POLE SCREW CLAMP	45.00	1	EA	50	B
CMB4/5	4 mm <sup>2</sup> PANEL MOUNT 5POLE SCREW CLAMP	56.30	1	EA	50	B
CMB4/6	4 mm <sup>2</sup> PANEL MOUNT 6POLE SCREW CLAMP TB	67.50	1	EA	50	B
CMB4/7	4 mm <sup>2</sup> PANEL MOUNT 7POLE SCREW CLAMP TB	78.80	1	EA	50	B

Part #	Description	List Price in ₹	Per	UOM	Std. Pack	Group
CMB4/8	4 mm <sup>2</sup> PANEL MOUNT 8POLE SCREW CLAMP TB	90.00	1	EA	50	B
CMB4/9	4 mm <sup>2</sup> PANEL MOUNT 9POLE SCREW CLAMP	101.30	1	EA	50	B
CMB4BK	4 mm <sup>2</sup> PANEL MOUNT SCREW CLAMP TB BLACK	10.30	1	EA	100	B
CMB4BU	4 mm <sup>2</sup> PANEL MOUNT SCREW CLAMP TB BLUE	10.30	1	EA	100	B
CMB4GN	4 mm <sup>2</sup> PANEL MOUNT SCREW CLAMP TB GREEN	10.30	1	EA	100	B
CMB4O	4 mm <sup>2</sup> PANEL MOUNT SCREW CLAMP TB ORANGE	10.30	1	EA	100	B
CMB4R	4 mm <sup>2</sup> PANEL MOUNT SCREW CLAMP TB RED	10.30	1	EA	100	B
CMB4Y	4 mm <sup>2</sup> PANEL MOUNT SCREW CLAMP TB YELLOW	10.30	1	EA	100	B
CMC1-2	4 mm <sup>2</sup> MULTI CONNECTION 3 WIRE TERMINAL	21.50	1	EA	100	B
CMC1-2BK	4 mm <sup>2</sup> MULTI CONNECTION 3 WIRE TB BLACK	23.70	1	EA	100	B
CMC1-2BU	4 mm <sup>2</sup> MULTI CONNECTION 3 WIRE TB BLUE	23.70	1	EA	100	B
CMC1-2GN	4 mm <sup>2</sup> MULTI CONNECTION 3 WIRE TB GREEN	23.70	1	EA	100	B
CMC1-2R	4 mm <sup>2</sup> MULTI CONNECTION 3 WIRE TB RED	23.70	1	EA	100	B
CMC1-2Y	4 mm <sup>2</sup> MULTI CONNECTION 3 WIRE TB YELLOW	23.70	1	EA	100	B
CMC2-2	4 mm <sup>2</sup> MULTI CONNECTION 4 WIRE TERMINAL	30.00	1	EA	50	B
CMC2-2BK	4 mm <sup>2</sup> MULTI CONNECTION 4 WIRE TB BLACK	33.00	1	EA	50	B
CMC2-2BU	4 mm <sup>2</sup> MULTI CONNECTION 4 WIRE TB BLUE	33.00	1	EA	50	B
CMC2-2GN	4 mm <sup>2</sup> MULTI CONNECTION 4 WIRE TB GREEN	33.00	1	EA	50	B
CMC2-2R	4 mm <sup>2</sup> MULTI CONNECTION 4 WIRE TB RED	33.00	1	EA	50	B
CMC2-2Y	4 mm <sup>2</sup> MULTI CONNECTION 4 WIRE TB YELLOW	33.00	1	EA	50	B
CMCG4	4 mm <sup>2</sup> MULTI CONNECTION 4 WIRE GROUND TB	91.40	1	EA	50	B
CMDB10/10	20 X 10 mm <sup>2</sup> DISTRIBUTION BLOCK	223.40	1	EA	5	B
CMDB10/10BK	20 X 10 mm <sup>2</sup> DISTRIBUTION BLOCK BLACK	245.70	1	EA	5	B
CMDB10/10BU	20 X 10 mm <sup>2</sup> DISTRIBUTION BLOCK BLUE	245.70	1	EA	5	B
CMDB10/10R	20 X 10 mm <sup>2</sup> DISTRIBUTION BLOCK RED	245.70	1	EA	5	B
CMDB10/10Y	20 X 10 mm <sup>2</sup> DISTRIBUTION BLOCK YELLOW	245.70	1	EA	5	B
CMDB10/2	4 X 10 mm <sup>2</sup> DISTRIBUTION BLOCK	47.50	1	EA	10	B
CMDB10/2BK	4 X 10 mm <sup>2</sup> DISTRIBUTION BLOCK BLACK	52.40	1	EA	10	B
CMDB10/2BU	4 X 10 mm <sup>2</sup> DISTRIBUTION BLOCK BLUE	52.40	1	EA	10	B
CMDB10/2GN	4 X 10 mm <sup>2</sup> DISTRIBUTION BLOCK GREEN	52.40	1	EA	10	B
CMDB10/2R	4 X 10 mm <sup>2</sup> DISTRIBUTION BLOCK RED	52.40	1	EA	10	B
CMDB10/2Y	4 X 10 mm <sup>2</sup> DISTRIBUTION BLOCK YELLOW	52.40	1	EA	10	B
CMDB10/3	6 X 10 mm <sup>2</sup> DISTRIBUTION BLOCK	67.00	1	EA	10	B
CMDB10/3BK	6 X 10 mm <sup>2</sup> DISTRIBUTION BLOCK BLACK	73.70	1	EA	10	B
CMDB10/3BU	6 X 10 mm <sup>2</sup> DISTRIBUTION BLOCK BLUE	73.70	1	EA	10	B
CMDB10/3GN	6 X 10 mm <sup>2</sup> DISTRIBUTION BLOCK GREEN	73.70	1	EA	10	B
CMDB10/3R	6 X 10 mm <sup>2</sup> DISTRIBUTION BLOCK RED	73.70	1	EA	10	B
CMDB10/3Y	6 X 10 mm <sup>2</sup> DISTRIBUTION BLOCK YELLOW	73.70	1	EA	10	B
CMDB10/4	8 X 10 mm <sup>2</sup> DISTRIBUTION BLOCK	88.00	1	EA	5	B
CMDB10/4BK	8 X 10 mm <sup>2</sup> DISTRIBUTION BLOCK BLACK	96.80	1	EA	5	B
CMDB10/4BU	8 X 10 mm <sup>2</sup> DISTRIBUTION BLOCK BLUE	96.80	1	EA	5	B
CMDB10/4R	8 X 10 mm <sup>2</sup> DISTRIBUTION BLOCK RED	96.80	1	EA	5	B
CMDB10/4Y	8 X 10 mm <sup>2</sup> DISTRIBUTION BLOCK YELLOW	96.80	1	EA	5	B
CMDB10/8	16 X 10 mm <sup>2</sup> DISTRIBUTION BLOCK	170.50	1	EA	5	B
CMDB10/8R	16 X 10 mm <sup>2</sup> DISTRIBUTION BLOCK RED	187.60	1	EA	5	B
CMDB25/10	20 X 25 mm <sup>2</sup> DISTRIBUTION BLOCK	486.90	1	EA	5	B
CMDB25/2	4 X 25 mm <sup>2</sup> DISTRIBUTION BLOCK	101.70	1	EA	10	B
CMDB25/2BK	4 X 25 mm <sup>2</sup> DISTRIBUTION BLOCK BLACK	111.80	1	EA	10	B
CMDB25/2BU	4 X 25 mm <sup>2</sup> DISTRIBUTION BLOCK BLUE	111.80	1	EA	10	B
CMDB25/2R	4 X 25 mm <sup>2</sup> DISTRIBUTION BLOCK RED	111.80	1	EA	10	B
CMDB25/2Y	4 X 25 mm <sup>2</sup> DISTRIBUTION BLOCK YELLOW	111.80	1	EA	10	B

Part #	Description	List Price in ₹	Per	UOM	Std. Pack	Group
CMDB25/3	6 X 25 mm <sup>2</sup> DISTRIBUTION BLOCK	151.90	1	EA	10	B
CMDB25/3BU	6 X 25 mm <sup>2</sup> DISTRIBUTION BLOCK BLUE	167.10	1	EA	10	B
CMDB25/3R	6 X 25 mm <sup>2</sup> DISTRIBUTION BLOCK RED	167.10	1	EA	10	B
CMDB25/3Y	6 X 25 mm <sup>2</sup> DISTRIBUTION BLOCK YELLOW	167.10	1	EA	10	B
CMDB25/4	8 X 25 mm <sup>2</sup> DISTRIBUTION BLOCK	197.70	1	EA	10	B
CMDB25/4BK	8 X 25 mm <sup>2</sup> DISTRIBUTION BLOCK BLACK	217.50	1	EA	5	B
CMDB25/4BU	8 X 25 mm <sup>2</sup> DISTRIBUTION BLOCK BLUE	217.50	1	EA	10	B
CMDB25/4R	8 X 25 mm <sup>2</sup> DISTRIBUTION BLOCK RED	217.50	1	EA	10	B
CMDB25/4Y	8 X 25 mm <sup>2</sup> DISTRIBUTION BLOCK YELLOW	217.50	1	EA	10	B
CMDB4/10	20 X 4 mm <sup>2</sup> DISTRIBUTION BLOCK	145.20	1	EA	10	B
CMDB4/10BK	20 X 4 mm <sup>2</sup> DISTRIBUTION BLOCK BLACK	159.70	1	EA	10	B
CMDB4/10BU	20 X 4 mm <sup>2</sup> DISTRIBUTION BLOCK BLUE	159.70	1	EA	10	B
CMDB4/10GN	20 X 4 MM <sup>2</sup> DISTRIBUTION BLOCK GREEN	159.70	1	EA	10	B
CMDB4/10R	20 X 4 mm <sup>2</sup> DISTRIBUTION BLOCK RED	159.70	1	EA	10	B
CMDB4/10Y	20 X 4 mm <sup>2</sup> DISTRIBUTION BLOCK YELLOW	159.70	1	EA	10	B
CMDB4/2	4 X 4 mm <sup>2</sup> DISTRIBUTION BLOCK	33.60	1	EA	10	B
CMDB4/2BK	4 X 4 mm <sup>2</sup> DISTRIBUTION BLOCK BLACK	36.90	1	EA	10	B
CMDB4/2BU	4 X 4 mm <sup>2</sup> DISTRIBUTION BLOCK BLUE	36.90	1	EA	10	B
CMDB4/2GN	4 X 4 mm <sup>2</sup> DISTRIBUTION BLOCK GREEN	36.90	1	EA	10	B
CMDB4/2R	4 X 4 mm <sup>2</sup> DISTRIBUTION BLOCK RED	36.90	1	EA	10	B
CMDB4/2Y	4 X 4 mm <sup>2</sup> DISTRIBUTION BLOCK YELLOW	36.90	1	EA	10	B
CMDB4/3	6 X 4 mm <sup>2</sup> DISTRIBUTION BLOCK	53.00	1	EA	10	B
CMDB4/3BK	6 X 4 mm <sup>2</sup> DISTRIBUTION BLOCK BLACK	58.30	1	EA	10	B
CMDB4/3BU	6 X 4 mm <sup>2</sup> DISTRIBUTION BLOCK BLUE	58.30	1	EA	10	B
CMDB4/3GN	6 X 4 mm <sup>2</sup> DISTRIBUTION BLOCK GREEN	58.30	1	EA	10	B
CMDB4/3R	6 X 4 mm <sup>2</sup> DISTRIBUTION BLOCK RED	58.30	1	EA	10	B
CMDB4/3Y	6 X 4 mm <sup>2</sup> DISTRIBUTION BLOCK YELLOW	58.30	1	EA	10	B
CMDB4/4	8 X 4 mm <sup>2</sup> DISTRIBUTION BLOCK	65.00	1	EA	10	B
CMDB4/4BK	8 X 4 mm <sup>2</sup> DISTRIBUTION BLOCK BLACK	71.50	1	EA	10	B
CMDB4/4BU	8 X 4 mm <sup>2</sup> DISTRIBUTION BLOCK BLUE	71.50	1	EA	10	B
CMDB4/4GN	8 X 4 mm <sup>2</sup> DISTRIBUTION BLOCK GREEN	71.50	1	EA	10	B
CMDB4/4R	8 X 4 mm <sup>2</sup> DISTRIBUTION BLOCK RED	71.50	1	EA	10	B
CMDB4/4Y	8 X 4 mm <sup>2</sup> DISTRIBUTION BLOCK YELLOW	71.50	1	EA	10	B
CMDB4/6	12 X 4 mm <sup>2</sup> DISTRIBUTION BLOCK	96.40	1	EA	5	B
CMDB4/6BK	12 X 4 mm <sup>2</sup> DISTRIBUTION BLOCK BLACK	106.40	1	EA	5	B
CMDB4/6BU	12 X 4 mm <sup>2</sup> DISTRIBUTION BLOCK BLUE	106.40	1	EA	10	B
CMDB4/6GN	12 X 4 mm <sup>2</sup> DISTRIBUTION BLOCK GREEN	106.40	1	EA	5	B
CMDB4/6R	12 X 4 mm <sup>2</sup> DISTRIBUTION BLOCK RED	106.40	1	EA	5	B
CMDB6/10	20 X 6 mm <sup>2</sup> DISTRIBUTION BLOCK	187.00	1	EA	5	B
CMDB6/10BK	20 X 6 mm <sup>2</sup> DISTRIBUTION BLOCK BLACK	205.70	1	EA	5	B
CMDB6/10BU	20 X 6 mm <sup>2</sup> DISTRIBUTION BLOCK BLUE	205.70	1	EA	5	B
CMDB6/10R	20 X 6 mm <sup>2</sup> DISTRIBUTION BLOCK	205.70	1	EA	5	B
CMDB6/10Y	20 X 6 mm <sup>2</sup> DISTRIBUTION BLOCK	205.70	1	EA	5	B
CMDB6/2	4 X 6 mm <sup>2</sup> DISTRIBUTION BLOCK	42.90	1	EA	10	B
CMDB6/2BK	4 X 6 mm <sup>2</sup> DISTRIBUTION BLOCK BLACK	47.30	1	EA	10	B
CMDB6/2BU	4 X 6 mm <sup>2</sup> DISTRIBUTION BLOCK BLUE	47.30	1	EA	10	B
CMDB6/2R	4 X 6 mm <sup>2</sup> DISTRIBUTION BLOCK RED	47.30	1	EA	10	B
CMDB6/2Y	4 X 6 mm <sup>2</sup> DISTRIBUTION BLOCK YELLOW	47.30	1	EA	10	B
CMDB6/3	6 X 6 mm <sup>2</sup> DISTRIBUTION BLOCK	61.60	1	EA	10	B
CMDB6/3BK	6 X 6 mm <sup>2</sup> DISTRIBUTION BLOCK BLACK	68.20	1	EA	10	B
CMDB6/3BU	6 X 6 mm <sup>2</sup> DISTRIBUTION BLOCK BLUE	68.20	1	EA	10	B

Part #	Description	List Price in ₹	Per	UOM	Std. Pack	Group
CMDB6/3R	6 X 6 mm <sup>2</sup> DISTRIBUTION BLOCK RED	68.20	1	EA	10	B
CMDB6/3Y	6 X 6 mm <sup>2</sup> DISTRIBUTION BLOCK YELLOW	68.20	1	EA	10	B
CMDB6/4	8 X 6 mm <sup>2</sup> DISTRIBUTION BLOCK	80.00	1	EA	5	B
CMDB6/4BK	8 X 6 mm <sup>2</sup> DISTRIBUTION BLOCK BLACK	88.00	1	EA	5	B
CMDB6/4BU	8 X 6 mm <sup>2</sup> DISTRIBUTION BLOCK BLUE	88.00	1	EA	5	B
CMDB6/4R	8 X 6 mm <sup>2</sup> DISTRIBUTION BLOCK RED	88.00	1	EA	5	B
CMDB6/4Y	8 X 6 mm <sup>2</sup> DISTRIBUTION BLOCK YELLOW	88.00	1	EA	5	B
CMDB6/6	12 X 6 mm <sup>2</sup> DISTRIBUTION BLOCK	104.50	1	EA	10	B
CMDB6/6BU	12 X 6 mm <sup>2</sup> DISTRIBUTION BLOCK (BLUE)	115.00	1	EA	10	B
CMDT4	6 mm <sup>2</sup> M4 STUD TYP DISCONNECT MELAMINE TB	60.00	1	EA	50	B
CMDT4BK	6 mm <sup>2</sup> M4 STUD TYP DISCON MELAMINE TB BLK	66.00	1	EA	50	B
CMDT4BU	6 mm <sup>2</sup> M4 STUD TYP DISCON MELAMINE TB BLU	66.00	1	EA	50	B
CMDT4R	6 mm <sup>2</sup> M4 STUD TYP DISCON MELAMINE TB RED	66.00	1	EA	50	B
CMDT4S	6 mm <sup>2</sup> M4 STUD TYP DISCONNECT MELAMINE TB	62.30	1	EA	50	B
CMDT4SBK	6 mm <sup>2</sup> M4 STUD TYP DISCON MELAMINE BLK	68.50	1	EA	50	B
CMDT4SBU	6 mm <sup>2</sup> M4 STUD TYP DISCON MELAMINE BLU	68.50	1	EA	50	B
CMDT4SH	6 mm <sup>2</sup> M4 STUD TYPE DISCON SHORTED MEL TB	135.90	1	EA	25	B
CMDT4SR	6 mm <sup>2</sup> M4 STUD TYP DISCON MELAMINE RED	68.50	1	EA	50	B
CMDT4SY	6 mm <sup>2</sup> M4 STUD TYP DISCON MELAMINE YLW	68.50	1	EA	50	B
CMDT4Y	6 mm <sup>2</sup> M4 STUD TYP DISCON MELAMINE TB YLW	66.00	1	EA	50	B
CMS2.5	2.5 mm <sup>2</sup> SPRING CL TB FOR DIN15 RAIL	9.90	1	EA	100	A
CMST1	2.5 mm <sup>2</sup> 12 POLE STRIP MELAMINE TERMINAL	96.60	1	EA	20	B
CMST110W	2.5 mm <sup>2</sup> 10 POLE STRIP MELAMINE TERMINAL	86.30	1	EA	20	B
CMST12W	2.5 mm <sup>2</sup> 2 POLE STRIP MELAMINE TERMINAL	17.30	1	EA	120	B
CMST13W	2.5 mm <sup>2</sup> 3 POLE STRIP MELAMINE TERMINAL	25.90	1	EA	80	B
CMST14W	2.5 mm <sup>2</sup> 4 POLE STRIP MELAMINE TERMINAL	34.50	1	EA	60	B
CMST15W	2.5 mm <sup>2</sup> 5 POLE STRIP MELAMINE TERMINAL	43.20	1	EA	40	B
CMST16W	2.5 mm <sup>2</sup> 6 POLE STRIP MELAMINE TERMINAL	51.80	1	EA	40	B
CMST17W	2.5 mm <sup>2</sup> 7 POLE STRIP MEL TERMINAL	60.40	1	EA	30	B
CMST18W	2.5 mm <sup>2</sup> 8 POLE STRIP MELAMINE TERMINAL	69.00	1	EA	30	B
CMST19W	2.5 mm <sup>2</sup> 9 POLE STRIP MELAMINE TERMIN	77.70	1	EA	25	B
CMST2	2.5 mm <sup>2</sup> 12 POLE SOLDERABLE STRIP MEL TB	96.60	1	EA	20	B
CMST22W	2.5 mm <sup>2</sup> 2 POLE SOLDERABLE STRIP MEL TB	17.30	1	EA	120	B
CMST23W	2.5 mm <sup>2</sup> 3 POLE SOLDERABLE STRIP MEL	25.90	1	EA	80	B
CMST24W	2.5 mm <sup>2</sup> 4 POLE SOLDERABLE STRIP MEL TB	34.50	1	EA	60	B
CMST25W	2.5 mm <sup>2</sup> 5 POLE SOLDERABLE STRIP MEL	43.20	1	EA	20	B
CMST26W	2.5 mm <sup>2</sup> 6 POLE SOLD STRIP MEL TB	51.80	1	EA	40	B
CMST28W	2.5 mm <sup>2</sup> 8 POLE SOLDERABLE STRIP MEL TB	69.00	1	EA	30	B
CMSTPP	PARTITION PLATE FOR CMST SERIES TB	6.60	1	EA	10	B
CMT10	10 MM <sup>2</sup> SCREW CLAMP TB FOR DIN15 RAIL	32.00	1	EA	100	B
CMT4	4 mm <sup>2</sup> SCREW CLAMP TB FOR DIN15 RAIL	8.10	1	EA	100	B
CMT4BK	4 mm <sup>2</sup> SCREW CLAMP TB FOR DIN15 RAIL BLK	9.00	1	EA	100	B
CMT4BU	4 mm <sup>2</sup> SCREW CLAMP TB FOR DIN15 RAIL BLU	9.00	1	EA	100	B
CMT4GN	4 mm <sup>2</sup> SCREW CLAMP TB FOR DIN15 RAIL GRN	9.00	1	EA	100	B
CMT4R	4 mm <sup>2</sup> SCREW CLAMP TB FOR DIN15 RAIL RED	9.00	1	EA	100	B
CMT4Y	4 mm <sup>2</sup> SCREW CLAMP TB FOR DIN15 RAIL YLW	9.00	1	EA	100	B
CMTB35	MOUNTING BASE SUITABLE FOR DIN35 RAIL	12.10	1	EA	50	B
CP1.5	1.5 mm <sup>2</sup> FEED THRU PUSH IN TERMINAL BLOCK	9.00	1	EA	100	A
CP1.5/3	1.5 mm <sup>2</sup> FEED THRU 3 WIRE PUSH IN TB	20.80	1	EA	50	A
CP1.5/3BU	1.5 mm <sup>2</sup> FEED THRU 3 WIRE PUSH IN TB BLU	22.90	1	EA	50	A
CP1.5/4	1.5 mm <sup>2</sup> FEED THRU 4 WIRE PUSH IN TB	23.00	1	EA	50	A

Part #	Description	List Price in ₹	Per	UOM	Std. Pack	Group
CP1.5/4BK	1.5 MM <sup>2</sup> FEED THRU 4 WIRE PUSH IN TB BLK	25.30	1	EA	50	A
CP1.5/4BU	1.5 MM <sup>2</sup> FEED THRU 4 WIRE PUSH IN TB BLU	25.30	1	EA	50	A
CP1.5/4R	1.5 MM <sup>2</sup> FEED THRU 4 WIRE PUSH IN TB RED	25.30	1	EA	50	A
CP1.5/4Y	1.5 MM <sup>2</sup> FEED THRU 4 WIRE PUSH IN TB YLW	25.30	1	EA	50	A
CP1.5BK	1.5 mm <sup>2</sup> FEED THRU PUSH IN TB BLK	9.90	1	EA	100	A
CP1.5BU	1.5 mm <sup>2</sup> FEED THRU PUSH IN TB BLU	9.90	1	EA	100	A
CP1.5R	1.5 mm <sup>2</sup> FEED THRU PUSH IN TB RED	9.90	1	EA	100	A
CP2.5	2.5 mm <sup>2</sup> FEED THRU PUSH IN TERMINAL BLOCK	10.40	1	EA	100	A
CP2.5/3	2.5mm <sup>2</sup> FEED THRU 3 WIRE PUSH IN TB	24.00	1	EA	100	A
CP2.5/3BK	2.5mm <sup>2</sup> PUSH IN FEED THRU 3WIRE TB	26.40	1	EA	100	A
CP2.5/3BU	2.5mm <sup>2</sup> PUSH IN FEED THRU 3WIRE TB	26.40	1	EA	100	A
CP2.5/3R	2.5MM <sup>2</sup> PUSH IN FEED THRU 3WIRE TB	26.40	1	EA	100	A
CP2.5/3Y	2.5mm <sup>2</sup> PUSH IN FEED THRU 3WIRE TB	26.40	1	EA	100	A
CP2.5/4	2.5mm <sup>2</sup> FEED THRU 4 WIRE PUSH IN TB	26.50	1	EA	100	A
CP2.5/4BK	2.5mm <sup>2</sup> PUSH IN FEED THRU 4WIRE TB	29.10	1	EA	100	A
CP2.5/4BU	2.5mm <sup>2</sup> PUSH IN FEED THRU 4WIRE TB	29.10	1	EA	100	A
CP2.5/4GN	2.5mm <sup>2</sup> PUSH IN FEED THRU 4WIRE TB	29.10	1	EA	100	A
CP2.5/4R	2.5mm <sup>2</sup> PUSH IN FEED THRU 4 WIRE T	29.10	1	EA	100	A
CP2.5/4Y	2.5mm <sup>2</sup> PUSH IN FEED THRU 4WIRE TB	29.10	1	EA	100	A
CP2.5BK	2.5 mm <sup>2</sup> FEED THRU PUSH IN TB BLK	11.40	1	EA	100	A
CP2.5BU	2.5 mm <sup>2</sup> FEED THRU PUSH IN TB BLU	11.40	1	EA	100	A
CP2.5P	2.5 mm <sup>2</sup> PUSH IN PLUG ASSLY	35.00	1	EA	50	A
CP2.5PD	2.5 mm <sup>2</sup> DOUBLE PUSH IN PLUG ASSLY	47.50	1	EA	50	A
CP2.5PDL	2.5 mm <sup>2</sup> DOUBLE PUSH IN PLUG LAST ELEMENT	47.50	1	EA	50	A
CP2.5PJ	2.5 mm <sup>2</sup> PLUG ASSLY WITH SHORTING	40.30	1	EA	50	A
CP2.5PJL	2.5 mm <sup>2</sup> PLUG ASSLY WTH SHORTING LAST ELE	40.30	1	EA	50	A
CP2.5PL	2.5 mm <sup>2</sup> PUSH IN PLUG LAST ELEMENT	35.00	1	EA	50	A
CP2.5R	2.5 mm <sup>2</sup> PUSH IN FEED THRU TERMINAL RED	11.40	1	EA	100	A
CP2.5Y	2.5 mm <sup>2</sup> PUSH IN FEED THRU TERMINAL YLW	11.40	1	EA	100	A
CP3L2.5	2.5mm <sup>2</sup> 3 LEVEL PUSH IN TERMINAL BLOCK	134.40	1	EA	30	A
CP3L2.5(I.S)	2.5 mm <sup>2</sup> 3 LVL PUSH IN INTERNAL SHRTD TB	168.00	1	EA	30	A
CP3LG2.5	2.5 mm <sup>2</sup> 3 LEVEL FEED THRU+GND PUSH IN TB	246.40	1	EA	30	A
CP3LG2.5(I.S)	2.5 mm <sup>2</sup> 3 LEVEL PUSH IN GROUND TB	285.60	1	EA	30	A
CP4	4 mm <sup>2</sup> FEED THRU PUSH IN TERMINAL BLOCK	17.30	1	EA	100	A
CP4/3	4 mm <sup>2</sup> FEED THRU 3 WIRE PUSH IN TB	32.20	1	EA	50	A
CP4/3BK	4 mm <sup>2</sup> PUSH IN FEED THRU 3 WIRE TB	35.50	1	EA	50	A
CP4/3BU	4 mm <sup>2</sup> PUSH IN FEED THRU 3 WIRE TB	35.50	1	EA	50	A
CP4/3R	4 mm <sup>2</sup> PUSH IN FEED THRU 3 WIRE TB	35.50	1	EA	50	A
CP4/3Y	4 mm <sup>2</sup> PUSH IN FEED THRU 3 WIRE TB	35.50	1	EA	50	A
CP4/4	4 mm <sup>2</sup> FEED THRU 4 WIRE PUSH IN TB	38.00	1	EA	50	A
CP4/4BK	4 mm <sup>2</sup> PUSH IN FEED THRU 4 WIRE TB	41.80	1	EA	50	A
CP4/4BU	4 mm <sup>2</sup> PUSH IN FEED THRU 4 WIRE TB	41.80	1	EA	50	A
CP4/4R	4 mm <sup>2</sup> PUSH IN FEED THRU 4 WIRE TB	41.80	1	EA	50	A
CP4/4Y	4 mm <sup>2</sup> PUSH IN FEED THRU 4 WIRE TB	41.80	1	EA	50	A
CP4BK	4 mm <sup>2</sup> FEED THRU PUSH IN TB BLK	19.00	1	EA	100	A
CP4BU	4 mm <sup>2</sup> FEED THRU PUSH IN TB BLU	19.00	1	EA	100	A
CP4LG2.5	2.5 mm <sup>2</sup> 4 LEVEL FEED THRU+GND PUSH IN TB	368.00	1	EA	30	A
CP4R	4 mm <sup>2</sup> FEED THRU PUSH IN TB RED	19.00	1	EA	100	A
CP4Y	4 mm <sup>2</sup> FEED THRU PUSH IN TB YLW	19.00	1	EA	100	A
CP6/10	10 mm <sup>2</sup> FEED THRU PUSH IN TERMINAL BLOCK	66.70	1	EA	100	A
CP6/10/3	10 mm <sup>2</sup> FEED THRU PUSH IN 3 WIRE TB	117.90	1	EA	50	A

Part #	Description	List Price in ₹	Per	UOM	Std. Pack	Group
CP6/10/3BK	10mm <sup>2</sup> PUSH IN FEED THRU 3WIRE TB	129.70	1	EA	50	A
CP6/10/3BU	10mm <sup>2</sup> PUSH IN FEED THRU 3WIRE TB	129.70	1	EA	50	A
CP6/10/3R	10mm <sup>2</sup> PUSH IN FEED THRU 3WIRE TB	129.70	1	EA	50	A
CP6/10/3Y	10mm <sup>2</sup> PUSH IN FEED THRU 3WIRE TB	129.70	1	EA	50	A
CP6/10BK	10 mm <sup>2</sup> PUSH IN FEED THRU TB BLACK	73.40	1	EA	100	A
CP6/10BU	10 mm <sup>2</sup> FEED THRU PUSH IN TB BLU	73.40	1	EA	100	A
CP6/10R	10 mm <sup>2</sup> PUSH IN FEED THRU TB RED	73.40	1	EA	100	A
CP6/10Y	10 mm <sup>2</sup> PUSH IN FEED THRU TB YELLOW	73.40	1	EA	100	A
CP8L32	1.5 mm <sup>2</sup> FEED THRU 8 LVL PUSH IN SP CL TB	330.00	1	EA	10	A
CP8L32(I.S)	1.5mm <sup>2</sup> 8 LVL PUSH IN SP CLMP INT SHRT TB	426.00	1	EA	10	A
CP8L32(I.S)BK	1.5mm <sup>2</sup> 8LVL PUSH IN SPCL INT SHRT TB BLK	468.60	1	EA	10	A
CP8L32(I.S)BU	1.5mm <sup>2</sup> 8LVL PUSH IN SPCL INT SHRT TB BLU	468.60	1	EA	10	A
CP8L32(I.S)H	1.5mm <sup>2</sup> 8 LVL PUSH IN SP CL INT SHRT HALF	457.80	1	EA	10	A
CP8L32(I.S)R	1.5mm <sup>2</sup> 8LVL PUSH IN SPCL INT SHRT TB RED	468.60	1	EA	10	A
CP8L32BK	1.5 mm <sup>2</sup> FD TH 8 LVL PUSH IN SP CL TB BLK	363.00	1	EA	10	A
CP8L32BU	1.5 mm <sup>2</sup> FD TH 8 LVL PUSH IN SP CL TB BLU	363.00	1	EA	10	A
CPD1	DIODE PLUG FR CCC4U/CXCC4 TERMINAL BLOCK	33.00	1	EA	50	A
CPDL1.5	1.5mm <sup>2</sup> 2 LEVEL PUSH IN SPRING CLAMP TB	25.50	1	EA	50	A
CPDL1.5(I.S)	1.5mm <sup>2</sup> 2 LEVEL PUSH IN SP CL INT SHRT TB	36.30	1	EA	50	A
CPDL2.5	2.5mm <sup>2</sup> 2 LEVEL PUSH IN SPRING CLAMP TB	30.50	1	EA	50	A
CPDL2.5(E)D1	2.5 mm <sup>2</sup> 2 LVL PUSH IN SP CL DIODE	86.30	1	EA	50	A
CPDL2.5(E)D2	2.5 mm <sup>2</sup> 2 LVL PUSH IN SP CL DIODE	86.30	1	EA	50	A
CPDL2.5(E)D3	2.5 mm <sup>2</sup> 2 LVL PUSH IN SP CL DIODE	86.30	1	EA	50	A
CPDL2.5(E)DD1	2.5 mm <sup>2</sup> 2 LVL PUSH IN SP CL DIODE	86.30	1	EA	50	A
CPDL2.5(E)DD2	2.5 mm <sup>2</sup> 2 LVL PUSH IN SP CL DIODE	86.30	1	EA	50	A
CPDL2.5(E)DD3	2.5 mm <sup>2</sup> 2 LVL PUSH IN SP CL DIODE	86.30	1	EA	50	A
CPDL2.5(E)DD4	2.5 mm <sup>2</sup> 2 LVL PUSH IN SP CL DIODE	86.30	1	EA	50	A
CPDL2.5(E)DD5	2.5 mm <sup>2</sup> 2 LVL PUSH IN SP CL DIODE	86.30	1	EA	50	A
CPDL2.5(E)DD6	2.5 mm <sup>2</sup> 2 LVL PUSH IN SP CL DIODE	86.30	1	EA	50	A
CPDL2.5(E)LD1240V	2.5 mm <sup>2</sup> 2 LVL PUSH IN SP CL LED 1	86.30	1	EA	50	A
CPDL2.5(E)LD16-60V	2.5 mm <sup>2</sup> 2 LEVEL PUSH IN SP CL LED	86.30	1	EA	50	A
CPDL2.5(I.S)	2.5mm <sup>2</sup> 2 LEVEL PUSH IN INT SHRT SP CL TB	44.00	1	EA	50	A
CPDL2.5BK	2.5mm <sup>2</sup> DBL LVL PUSH IN SPRNG CLMP	33.60	1	EA	50	A
CPDL2.5BU	2.5mm <sup>2</sup> DBL LVL PUSH IN SPRNG CLMP	33.60	1	EA	50	A
CPDL2.5R	2.5mm <sup>2</sup> DBL LVL PUSH IN SPRNG CLMP	33.60	1	EA	50	A
CPDL2.5Y	2.5mm <sup>2</sup> DBL LVL PUSH IN SPRNG CLMP	33.60	1	EA	50	A
CPDL4	4MM <sup>2</sup> 2 LEVEL PUSH IN SPRING CLAMP TB	36.60	1	EA	50	A
CPDLF2.5	2.5mm <sup>2</sup> 2 LEVEL PUSH IN SP CL FUSE TB	165.00	1	EA	50	A
CPDLF2.5L110-240V	2.5mm <sup>2</sup> 2 LEVEL PUSH IN SP CL FUSE TB	165.00	1	EA	50	A
CPDLF2.5L6-60V	2.5mm <sup>2</sup> 2 LEVEL PUSH IN SP CL FUSE TB	165.00	1	EA	50	A
CPDLG1.5	1.5 mm <sup>2</sup> FEED THRU + GND PUSH IN SP CL TB	77.00	1	EA	50	A
CPDLG1.5(I.S)	1.5mm <sup>2</sup> GND INT SHRT PUSH IN TB	88.00	1	EA	50	A
CPDLG2.5	2.5 mm <sup>2</sup> FEED THRU + GND PUSH IN SP CL TB	88.60	1	EA	50	A
CPDLG2.5(I.S)	2.5 mm <sup>2</sup> 2 LVL PUSH IN SPRING CL G	106.10	1	EA	50	A
CPDLK2.5	2.5mm <sup>2</sup> 4W DOUBLE LVL KNIFEDISCON SPCL	220.00	1	EA	50	A
CPDLK2.5(I.S)	2.5mm <sup>2</sup> 4W DOUBLE LVL KNIFEDISCON IS SPCL	253.00	1	EA	50	A
CPDLKFT2.5	2.5mm <sup>2</sup> 4W DOUBLE LVL KNIFEDISCON SPCL	209.00	1	EA	50	A
CPDLKFT2.5(I.S)	2.5mm <sup>2</sup> 4W DOUBLE LVL FD THRU INT SHRT SPCL	230.00	1	EA	50	A
CPF	FUSE PLUG FR CCC4U/CXCC4 TERMINAL BLOCK	28.60	1	EA	50	A
CPF4	4MM <sup>2</sup> PUSH IN FUSE TB	58.20	1	EA	50	A
CPF4L110-240V	4mm <sup>2</sup> PUSH IN FUSE TB 110-240V	80.50	1	EA	50	A

Part #	Description	List Price in ₹	Per	UOM	Std. Pack	Group
CPF4L6-60V	4mm <sup>2</sup> PUSH IN FUSE TB 6-60V	80.50	1	EA	50	A
CPFL110-240V	FUSE PLUG LED 110-240V FR CCC4U/CXCC	36.80	1	EA	50	A
CPFL6-60V	FUSE PLUG LED 6-60V FOR CCC4U/CXCC4	36.80	1	EA	50	A
CPG1.5	1.5 mm <sup>2</sup> PUSH IN GROUND TERMINL	52.00	1	EA	100	A
CPG1.5/3	1.5 mm <sup>2</sup> GND 3 WIRE PUSH IN TB	70.00	1	EA	50	A
CPG1.5/4	1.5 mm <sup>2</sup> GND 4 WIRE PUSH IN TB	87.00	1	EA	50	A
CPG2.5	2.5 mm <sup>2</sup> FEED THRU PUSH IN GROUND TERMINL	63.30	1	EA	100	A
CPG2.5/3	2.5 mm <sup>2</sup> 3 WIRE PUSH IN GND TB	95.50	1	EA	100	A
CPG2.5/4	2.5 mm <sup>2</sup> GND 4 WIRE PUSH IN TB	100.10	1	EA	100	A
CPG4	4 mm <sup>2</sup> PUSH IN GROUND TERMINAL BLOCK	75.90	1	EA	100	A
CPG4/3	4 mm <sup>2</sup> GND 3 WIRE PUSH IN TB	101.40	1	EA	50	A
CPG4/4	4 mm <sup>2</sup> GND 4 WIRE PUSH IN TB	109.90	1	EA	50	A
CPG6/10	10 mm <sup>2</sup> PUSH IN GROUND TERMINAL BLOCK	169.10	1	EA	100	A
CPG6/10/3	10 mm <sup>2</sup> 3 WIRE PUSH IN GROUND TERMINAL	185.20	1	EA	50	A
CPK2.5	2.5mm <sup>2</sup> 2 WIRE PUSH IN DISCON TB	41.30	1	EA	100	A
CPK4	4mm <sup>2</sup> 2 WIRE PUSH IN DISCON TB	79.30	1	EA	100	A
CPPT2.5/3	2.5 mm <sup>2</sup> 3 WIRE PUSH IN POWER TB	126.50	1	EA	50	A
CPPTG2.5/4	2.5 mm <sup>2</sup> 4 WIRE PUSH IN POWER GND TB	195.50	1	EA	50	A
CPST1.5/3	1.5 mm <sup>2</sup> 3 WIRE PUSH IN SENSOR TB	97.80	1	EA	50	A
CPST1.5/3L110-240V	1.5 mm <sup>2</sup> 3 WIRE PUSH IN SENSOR TB110-240V	115.00	1	EA	50	A
CPST1.5/3L6-60V	1.5 mm <sup>2</sup> 3 WIRE PUSH IN SENSOR TB6-60V	115.00	1	EA	50	A
CPST1.5/4	1.5 mm <sup>2</sup> 4 WIRE PUSH IN SENSOR TB	126.50	1	EA	50	A
CPST1.5/4L110-240V	1.5 mm <sup>2</sup> 4 WIRE PUSH IN SENSOR TB110-240V	143.80	1	EA	50	A
CPST1.5/4L6-60V	1.5 mm <sup>2</sup> 4 WIRE PUSH IN SENSOR TB6-60V	143.80	1	EA	50	A
CPSTG1.5/4	1.5 mm <sup>2</sup> 4 WIRE PUSH IN SENSOR GND TB	161.00	1	EA	50	A
CPT5	PCB TWO PIN MOUNTING PA TB ORG	11.00	1	EA	50	A
CPT5G	PCB TWO PIN MOUNTING PA TB GRY	11.00	1	EA	50	A
CPT7.5	PCB TWO PIN MOUNTING PA TB ORG	11.70	1	EA	50	A
CPT7.5G	PCB TWO PIN MOUNTING PA TB GRY	11.70	1	EA	50	A
CPTL2.5	2.5mm <sup>2</sup> 3 LEVEL PUSH IN SPRING CLMP TB	84.00	1	EA	50	A
CPTL2.5(I.S)	2.5mm <sup>2</sup> 3 LVL PUSH IN SPR CL INT SHRT	105.00	1	EA	50	A
CPTLG2.5	2.5mm <sup>2</sup> FEED THRU + GND PUSH IN SP CL	150.00	1	EA	50	A
CPTLG2.5(I.S)	2.5mm <sup>2</sup> GND INT SHRT PUSH IN TB	170.00	1	EA	50	A
CSB3/N3U	6mm <sup>2</sup> M3 STUD TYP SCREW/NUT DRIVER OPERTD	27.60	1	EA	100	B
CSB3/N3UBK	6mm <sup>2</sup> M3 STUD SCRW/NUT DRVR OPRTD BLK	30.40	1	EA	100	B
CSB3/N3UBU	6mm <sup>2</sup> M3 STUD SCRW/NUT DRVR OPRTD BLU	30.40	1	EA	100	B
CSB3/N3UGN	6mm <sup>2</sup> M3 STUD TYP SCRW/NUT DRIV OPRTD GRN	30.40	1	EA	100	B
CSB3/N3UL	6mm <sup>2</sup> M3 STUD TYP SCREW/NUT DRIVER OPERTD	28.50	1	EA	100	B
CSB3/N3ULBK	6mm <sup>2</sup> M3 STUD TYP SCRW/NUT DRVR OPRTD BLK	31.40	1	EA	100	B
CSB3/N3ULBU	6mm <sup>2</sup> M3 STUD SCRW/NUT DRVR OPRTD BLU	31.40	1	EA	100	B
CSB3/N3ULGN	6mm <sup>2</sup> M3 STUD SCREW/NUT DRIVER OPERTD GRN	31.40	1	EA	100	B
CSB3/N3ULR	6mm <sup>2</sup> M3 STUD TYP SCRW/NUT DRVR OPRTD RED	31.40	1	EA	100	B
CSB3/N3ULY	6mm <sup>2</sup> M3 STUD TYP SCRW/NUT DRVR OPRTD YLW	31.40	1	EA	100	B
CSB3/N3UR	6mm <sup>2</sup> M3 STUD SCRW/NUT DRVR OPRTD RED	30.40	1	EA	100	B
CSB3/N3USH	6mm <sup>2</sup> M3 STUD SHROUD TYP SCRW/NUT DRV OP	34.00	1	EA	100	B
CSB3/N3UY	6mm <sup>2</sup> M3 STU SCRW/NUT DRVR OPRTD YLW	30.40	1	EA	100	B
CSB4/N4U	10mm <sup>2</sup> M4 STUD SCREW/NUT DRIVER OPERTD	32.50	1	EA	100	B
CSB4/N4UBK	10mm <sup>2</sup> M4 STUD SW/NUT DRIVER OPERTD BLK	35.80	1	EA	100	B
CSB4/N4UBU	10mm <sup>2</sup> M4 STUD SW/NUT DRIVER OPERTD BLUE	35.80	1	EA	100	B
CSB4/N4UGN	10mm <sup>2</sup> M4 STUD SW/NUT DRIVER OPERTD GRN	35.80	1	EA	100	B
CSB4/N4UR	10mm <sup>2</sup> M4 STUD SW/NUT DRIVER OPERTD RED	35.80	1	EA	100	B

Part #	Description	List Price in ₹	Per	UOM	Std. Pack	Group
CSB4/N4USH	10mm <sup>2</sup> M4 STUD SHROUD TYP SCRW/NUT DRV OP	38.60	1	EA	100	B
CSB4/N4UY	10mm <sup>2</sup> M4 STUD SW/NUT DRIVER OPRTD YLW	35.80	1	EA	100	B
CSB5/N5U	16mm <sup>2</sup> M4 STUD SCREW/NUT DRIVER OPRTD	36.50	1	EA	100	B
CSB5/N5UBK	16mm <sup>2</sup> M4 STUD SCREW/NUT DRIV OPRTD BLK	40.20	1	EA	100	B
CSB5/N5UBU	16mm <sup>2</sup> M4 STUD SCREW/NUT DRIV OPRTD BLU	40.20	1	EA	100	B
CSB5/N5UGN	16mm <sup>2</sup> M4 STUD SCREW/NUT DRIV OPRTD GRN	40.20	1	EA	100	B
CSB5/N5UR	16mm <sup>2</sup> M4 STUD SCREW/NUT DRIV OPRTD RED	40.20	1	EA	100	B
CSB5/N5USH	16mm <sup>2</sup> M5 STUD SHROUD TYP SCRW/NUT DRV OP	42.60	1	EA	100	B
CSB5/N5UY	16mm <sup>2</sup> M4 STUD SCREW/NUT DRIV OPRTD YLW	40.20	1	EA	100	B
CSC16/3T	16 mm <sup>2</sup> FEED THRU SPRING CLAMP 3 WIRE TB	131.00	1	EA	25	A
CSC16T	16 mm <sup>2</sup> FEED THRU SPRING CLAMP TERMINAL	76.00	1	EA	50	A
CSC16TBK	16 mm <sup>2</sup> FEED THRU SPRING CLAMP TB BLACK	83.60	1	EA	50	A
CSC16TBU	16 mm <sup>2</sup> FEED THRU SPRING CLAMP TB BLUE	83.60	1	EA	50	A
CSC16TGN	16 mm <sup>2</sup> FEED THRU SPRING CLAMP TB GREEN	83.60	1	EA	50	A
CSC16TR	16 mm <sup>2</sup> FEED THRU SPRING CLAMP TB RED	83.60	1	EA	50	A
CSC16TY	16 mm <sup>2</sup> FEED THRU SPRING CLAMP TB YELLOW	83.60	1	EA	50	A
CSCG16/3T	16 mm <sup>2</sup> GND SPRING CLAMP 3 WIRE TB	195.50	1	EA	25	A
CSCG16T	16 mm <sup>2</sup> FEED THRU SP CL GROUNDING TB	177.10	1	EA	50	A
CSCP2.5T	2.5 mm <sup>2</sup> PANEL MOUNT SPRING CL 2 WIRE TB	11.50	1	EA	100	A
CSCP2.5T2	2.5 mm <sup>2</sup> PANEL MOUNT SPRING CL 4 WIRE TB	18.10	1	EA	50	A
CSCP2.5T2BK	2.5 mm <sup>2</sup> PANEL MOUNT SP CL 4 WIRE TB BLK	19.90	1	EA	50	A
CSCP2.5T2BU	2.5 mm <sup>2</sup> PANEL MOUNT SP CL 4 WIRE TB BLU	19.90	1	EA	50	A
CSCP2.5T2GN	2.5 mm <sup>2</sup> PANEL MOUNT SP CL 4 WIRE TB GRN	19.90	1	EA	50	A
CSCP2.5T2R	2.5 mm <sup>2</sup> PANEL MOUNT SP CL 4 WIRE TB RED	19.90	1	EA	50	A
CSCP2.5T2Y	2.5 mm <sup>2</sup> PANEL MOUNT SP CL 4 WIRE TB	19.90	1	EA	50	A
CSCP2.5TBK	2.5 mm <sup>2</sup> PANEL MOUNT SP CL 2 WIRE TB BLK	12.70	1	EA	100	A
CSCP2.5TBU	2.5 mm <sup>2</sup> PANEL MOUNT SP CL 2 WIRE TB BLU	12.70	1	EA	100	A
CSCP2.5TGN	2.5 mm <sup>2</sup> PANEL MOUNT SP CL 2 WIRE TB GRN	12.70	1	EA	100	A
CSCP2.5TR	2.5 mm <sup>2</sup> PANEL MOUNT SP CL 2 WIRE TB RED	12.70	1	EA	100	A
CSCP2.5TY	2.5 mm <sup>2</sup> PANEL MOUNT SP CL 2 WIRE TB YLW	12.70	1	EA	100	A
CSDL4U	4 mm <sup>2</sup> DISCONNECT SCREW CLAMP TERMINAL	51.70	1	EA	100	B
CSE5U	16mm <sup>2</sup> M5 SCRW BARRIER TYP EARTH TERMINAL	44.80	1	EA	100	B
CSP1	MOUNTING SUPPORT FOR CTSPC WITH NUT	16.50	1	EA	100	B
CSP1BG	MOUNTING SUPPORT FOR CTSPC WITH NUT BGE	18.70	1	EA	100	B
CSP2	MOUNTING SUPPORT PLATE WITH NUT	33.00	1	EA	25	B
CSTSB3	6mm <sup>2</sup> M3 STUD SCREW DRVR OPTD MELAMINE TB	30.00	1	EA	100	B
CSTSB3BK	6mm <sup>2</sup> M3 STUD SCREW DRVR OPTD MEL TB BLK	33.00	1	EA	100	B
CSTSB3BU	6mm <sup>2</sup> M3 STUD SCREW DRVR OPTD MEL TB BLU	33.00	1	EA	100	B
CSTSB3R	6mm <sup>2</sup> M3 STUD SCREW DRVR OPTD MEL TB RED	33.00	1	EA	100	B
CSTSB3Y	6mm <sup>2</sup> M3 STUD SCREW DRVR OPTD MEL TB YLW	33.00	1	EA	100	B
CSTSB4	10mm <sup>2</sup> M4 STUD SCREW DRIVER OPTD MEL	42.80	1	EA	100	B
CSTSB4/N4	10mm <sup>2</sup> M4 STUD SCREW/NUT DRVR OPTD MEL TB	34.00	1	EA	100	B
CSTSB4/N4BK	10mm <sup>2</sup> M4 STUD SCRW/NUT DRVR OPTD MEL BLK	37.40	1	EA	100	B
CSTSB4/N4BU	10mm <sup>2</sup> M4 STUD SCRW/NUT DRVR OPTD MEL BLU	37.40	1	EA	100	B
CSTSB4/N4R	10mm <sup>2</sup> M4 STUD SCRW/NUT DRVR OPTD MEL RED	37.40	1	EA	100	B
CSTSB4/N4Y	10mm <sup>2</sup> M4 STUD SCRW/NUT DRVR OPTD MEL YLW	37.40	1	EA	100	B
CSTSB5	16mm <sup>2</sup> M5 STUD SCREW DRVR OPTD MELAMIN TB	46.00	1	EA	100	B
CSTSB5BK	16mm <sup>2</sup> M5 STUD SCREW DRVR OPTD MEL TB	50.60	1	EA	100	B
CSTSB5BU	16mm <sup>2</sup> M5 STUD SCREW DRVR OPTD MEL TB BLU	50.60	1	EA	100	B
CSTSB5R	16mm <sup>2</sup> M5 STUD SCREW DRVR OPTD MEL TB RED	50.60	1	EA	100	B
CSTSB5Y	16mm <sup>2</sup> M5 STUD SCREW DRVR OPTD MEL TB YLW	50.60	1	EA	100	B

Part #	Description	List Price in ₹	Per	UOM	Std. Pack	Group
CSTSEP2	END PLATE FOR CSTSN4/N5/B4/B5	8.20	1	EA	50	B
CSTSN4	10mm <sup>2</sup> M4 STUD NUT DRVR OPTD MELAMINE TB	46.50	1	EA	100	B
CSTSN415P	10mm <sup>2</sup> M4(15P) STUD NUT DRVR OPTD MEL TB	46.50	1	EA	100	B
CSTSN415PBK	10mm <sup>2</sup> M4(15P) STUD NUT DRVR OPTD MEL	51.20	1	EA	100	B
CSTSN415PBU	10mm <sup>2</sup> M4(15P) STUD NUT DRVR OPTD MEL BLU	51.20	1	EA	100	B
CSTSN415PR	10mm <sup>2</sup> M4(15P) STUD NUT DRVR OPTD MEL RED	51.20	1	EA	100	B
CSTSN415PY	10mm <sup>2</sup> M4(15P) STUD NUT DRVR OPTD MEL	51.20	1	EA	100	B
CSTSN4BK	10mm <sup>2</sup> M4 STUD NUT DRVR OPTD MEL TB BLK	51.20	1	EA	100	B
CSTSN4BU	10mm <sup>2</sup> M4 STUD NUT DRVR OPTD MEL TB BLU	51.20	1	EA	100	B
CSTSN4R	10mm <sup>2</sup> M4 STUD NUT DRVR OPTD MEL TB RED	51.20	1	EA	100	B
CSTSN4U	10mm <sup>2</sup> M4 STUD NUT DRIVER OPERATED TB	36.30	1	EA	100	B
CSTSN4UBK	10mm <sup>2</sup> M4 STUD NUT DRIVER OPTD TB BLACK	40.00	1	EA	100	B
CSTSN4UBU	10mm <sup>2</sup> M4 STUD NUT DRIVER OPTD TB BLUE	40.00	1	EA	100	B
CSTSN4UGN	10mm <sup>2</sup> M4 STUD NUT DRIVER OPTD TB GREEN	40.00	1	EA	100	B
CSTSN4UR	10mm <sup>2</sup> M4 STUD NUT DRIVER OPTD TB RED	40.00	1	EA	100	B
CSTSN4UY	10mm <sup>2</sup> M4 STUD NUT DRIVER OPTD TB YLW	40.00	1	EA	100	B
CSTSN4Y	10mm <sup>2</sup> M4 STUD NUT DRVR OPTD MEL TB YLW	51.20	1	EA	100	B
CSTSN5	16mm <sup>2</sup> M5 STUD NUT DRVR OPTD MELAMINE TB	39.00	1	EA	100	B
CSTSN515P	16mm <sup>2</sup> M5(15P) STUD NUT DRVR OPTD MEL TB	40.20	1	EA	100	B
CSTSN515PBK	16mm <sup>2</sup> M5(15P) STUD NUT DRVR OPTD MEL	44.20	1	EA	100	B
CSTSN515PBU	16mm <sup>2</sup> M5(15P) STUD NUT DRVR OPTD MEL	44.20	1	EA	100	B
CSTSN515PR	16mm <sup>2</sup> M5(15P) STUD NUT DRVR OPTD MEL	44.20	1	EA	100	B
CSTSN515PY	16mm <sup>2</sup> M5(15P) STUD NUT DRVR OPTD MEL	44.20	1	EA	100	B
CSTSN5BK	16mm <sup>2</sup> M5 STUD NUT DRVR OPTD MEL TB BLK	42.90	1	EA	100	B
CSTSN5BU	16mm <sup>2</sup> M5 STUD NUT DRVR OPTD MEL TB BLU	42.90	1	EA	100	B
CSTSN5R	16mm <sup>2</sup> M5 STUD NUT DRVR OPTD MEL TB RED	42.90	1	EA	100	B
CSTSN5U	16mm <sup>2</sup> M5 STUD NUT DRIVER OPERATED TB	40.00	1	EA	100	B
CSTSN5UBK	16mm <sup>2</sup> M5 STUD NUT DRIVER OPTD TB BLACK	44.00	1	EA	100	B
CSTSN5UBU	16mm <sup>2</sup> M5 STUD NUT DRIVER OPTD TB BLUE	44.00	1	EA	100	B
CSTSN5UGN	16mm <sup>2</sup> M5 STUD NUT DRIVER OPTD TB GRN	44.00	1	EA	100	B
CSTSN5UR	16mm <sup>2</sup> M5 STUD NUT DRIVER OPTD TB RED	44.00	1	EA	100	B
CSTSN5UY	16mm <sup>2</sup> M5 STUD NUT DRIVER OPTD TB YELLOW	44.00	1	EA	100	B
CSTSN5Y	16mm <sup>2</sup> M5 STUD NUT DRVR OPTD MEL TB YLW	42.90	1	EA	100	B
CSTSN6	35mm <sup>2</sup> M6 STUD NUT DRVR OPTD MELAMINE TB	63.50	1	EA	100	B
CSTSN6BK	35mm <sup>2</sup> M6 STUD NUT DRVR OPTD MEL TB BLK	69.90	1	EA	100	B
CSTSN6BU	35mm <sup>2</sup> M6 STUD NUT DRVR OPTD MEL TB BLU	69.90	1	EA	100	B
CSTSN6R	35mm <sup>2</sup> M6 STUD NUT DRVR OPTD MEL TB RED	69.90	1	EA	100	B
CSTSN6U	35mm <sup>2</sup> M6 STUD NUT DRIVER OPERATED TB	53.00	1	EA	100	B
CSTSN6UBK	35mm <sup>2</sup> M6 STUD NUT DRIVER OPTD TB BLACK	58.30	1	EA	100	B
CSTSN6UBU	35mm <sup>2</sup> M6 STUD NUT DRIVER OPTD TB BLUE	58.30	1	EA	100	B
CSTSN6UGN	35mm <sup>2</sup> M6 STUD NUT DRIVER OPTD TB GREEN	58.30	1	EA	100	B
CSTSN6UR	35mm <sup>2</sup> M6 STUD NUT DRIVER OPTD TB RED	58.30	1	EA	100	B
CSTSN6USH	35mm <sup>2</sup> M6 STUD SHROUD TYP NUT DRIVER OPRT	61.10	1	EA	100	B
CSTSN6USHBK	35mm <sup>2</sup> M6 STUD SHROUD TY NUT DRIV OPR BLK	67.20	1	EA	100	B
CSTSN6USHBU	35mm <sup>2</sup> M6 STUD SHROUD TY NUT DRIV OPR BLU	67.20	1	EA	100	B
CSTSN6USHR	35mm <sup>2</sup> M6 STUD SHROUD TY NUT DRIV OPR RED	67.20	1	EA	100	B
CSTSN6USHY	35mm <sup>2</sup> M6 STUD SHROUD TY NUT DRIV OPR YLW	67.20	1	EA	100	B
CSTSN6UY	35mm <sup>2</sup> M6 STUD NUT DRIVER OPTD TB YLW	58.30	1	EA	100	B
CSTSN6Y	35mm <sup>2</sup> M6 STUD NUT DRVR OPTD MEL TB YLW	69.90	1	EA	100	B
CSTSPC1	PROTECTIVE COVER FOR 2nos 17mm WIDE TB	12.70	1	EA	100	B
CSTSPC1-1	PROTECTIVE COVER FOR 3nos 17mm WIDE TB	16.70	1	EA	100	B

Part #	Description	List Price in ₹	Per	UOM	Std. Pack	Group
CSTSPC1-2	PROTECTIVE COVR FR CSTSB3/B4/N4/N5 105mm	36.80	1	EA	50	B
CSTSPC1-3	PROTECTIVE COVR FR CSTSB3/B4/N4/N5 200mm	62.70	1	EA	10	B
CSTSPC1-4	PROTECTIVE COVR FR CSTSB3/B4/N4/N5 300mm	97.80	1	EA	10	B
CSTSPC1-5	PROTECTIVE COVER FOR CSTSB4/N4 100mm	35.70	1	EA	50	B
CSTSPC1-6	PROTECTIVE COVER FOR CSTSB4/N4 200mm	59.80	1	EA	10	B
CSTSPC1-7	PROTECTIVE COVER FOR CSTSB4/N4 300mm	92.00	1	EA	10	B
CSTSPC2	PROTECTIVE COVER FOR 2nos 13mm WIDE TB	12.70	1	EA	100	B
CSTSPC2-1	PROTECTIVE COVER FOR 3nos 13mm WIDE TB	16.70	1	EA	100	B
CSTSPC3	PROTECTIVE COVER FOR 2nos 10mm WIDE TB	11.50	1	EA	100	B
CSTSPC3-1	PROTECTIVE COVER FOR 3nos 10mm WIDE TB	15.00	1	EA	100	B
CSTSPC4	PROTECTIVE COVER FOR 2nos 15mm WIDE TB	13.80	1	EA	10	B
CSTSPC4-1	PROTECTIVE COVER FOR 3nos 15mm WIDE	18.60	1	EA	100	B
CSTSP	PARTITION PLATE FOR CSTSN4/N5/N6	16.50	1	EA	50	B
CSTSRP	END PLATE FR CSTSRN5/RN6	11.50	1	EA	50	B
CSTSRN5	16mm <sup>2</sup> M5 STUD NUT DRVR OPTD MELAMINE TB	65.40	1	EA	50	B
CSTSRN5BK	16mm <sup>2</sup> M5 STUD NUT DRVR OPTD MEL BLK	72.00	1	EA	50	B
CSTSRN5BU	16mm <sup>2</sup> M5 STUD NUT DRVR OPTD MEL BLU	72.00	1	EA	50	B
CSTSRN5R	16mm <sup>2</sup> M5 STUD NUT DRVR OPTD MEL RED	72.00	1	EA	50	B
CSTSRN5Y	16mm <sup>2</sup> M5 STUD NUT DRVR OPTD MEL YLW	72.00	1	EA	50	B
CSTSRN6	35mm <sup>2</sup> M6 STUD NUT DRVR OPTD MELAMINE TB	81.00	1	EA	50	B
CSTSRN6BK	35mm <sup>2</sup> M6 STUD NUT DRVR OPTD MEL TB BLK	89.10	1	EA	50	B
CSTSRN6BU	35mm <sup>2</sup> M6 STUD NUT DRVR OPTD MELTB BLU	89.10	1	EA	50	B
CSTSRN6R	35mm <sup>2</sup> M6 STUD NUT DRVR OPTD MEL TB RED	89.10	1	EA	50	B
CSTSRN6Y	35mm <sup>2</sup> M6 STUD NUT DRVR OPTD MEL TB YLW	89.10	1	EA	50	B
CTC4U	4 mm <sup>2</sup> TAB CONNECTION TERMINAL BLOCK	24.80	1	EA	100	B
CTL2.5U	2.5 mm <sup>2</sup> 3 LEVEL SCRW CLMP TERMINAL BLOCK	60.00	1	EA	50	B
CTL2.5U(I.S)	2.5 mm <sup>2</sup> 3 LEVEL INTR SHRTD SCREW CLMP TB	67.80	1	EA	50	B
CTL2.5UBK	2.5 mm <sup>2</sup> 3 LEVEL SCREW CLAMP TB BLACK	66.00	1	EA	50	B
CTL2.5UBU	2.5 mm <sup>2</sup> 3 LEVEL SCREW CLAMP TB BLUE	66.00	1	EA	50	B
CTL2.5UGN	2.5 mm <sup>2</sup> 3 LEVEL SCREW CLAMP TB GREEN	66.00	1	EA	50	B
CTL2.5UH	2.5 mm <sup>2</sup> 3 LEVEL 4 WIRE SCREW CLAMP TB	33.00	1	EA	50	B
CTL2.5UH(I.S)	2.5 mm <sup>2</sup> 3 LVL 4 WIRE SW CL INTR SHRTD TB	51.70	1	EA	50	B
CTL2.5UH(I.S)D2	2.5 mm <sup>2</sup> 3LVL 4 WIRE SW CL INTR SHRTD D2	62.70	1	EA	50	B
CTL2.5UHBU	2.5 mm <sup>2</sup> 3 LEVEL 4 WRE SCREW CLAMP TB	36.30	1	EA	50	B
CTL2.5UHL110V	2.5 mm <sup>2</sup> 3 LVL 4 WIRE SW CL LED 110V TB	57.20	1	EA	50	B
CTL2.5UHL12V	2.5 mm <sup>2</sup> 3 LVL 4 WIRE SW CL LED 12V TB	57.20	1	EA	50	B
CTL2.5UHL24V	2.5 mm <sup>2</sup> 3 LVL 4 WIRE SW CL LED 24V TB	57.20	1	EA	50	B
CTL2.5UHL48V	2.5 mm <sup>2</sup> 3 LV 4 WIRE SW CL LED 48V TB	57.20	1	EA	50	B
CTL2.5UL110V	2.5 mm <sup>2</sup> 3 LEVEL SCREW CLAMP LED 110V TB	77.00	1	EA	50	B
CTL2.5UL12V	2.5 mm <sup>2</sup> 3 LEVEL SCREW CLAMP LED 12V TB	77.00	1	EA	50	B
CTL2.5UL220V	2.5 mm <sup>2</sup> 3 LEVEL SCREW CLAMP LED 220V	77.00	1	EA	50	B
CTL2.5UL24V	2.5 mm <sup>2</sup> 3 LEVEL SCREW CLAMP LED 24V TB	77.00	1	EA	50	B
CTL2.5UL48V	2.5 mm <sup>2</sup> 3 LVL SCRW CLAMP LED 48V TB	77.00	1	EA	50	B
CTL2.5UR	2.5 mm <sup>2</sup> 3 LEVEL SCREW CLAMP TB RED	66.00	1	EA	50	B
CTL2.5UY	2.5 mm <sup>2</sup> 3 LEVEL SCREW CLAMP TB YELLOW	66.00	1	EA	50	B
CTLG2.5	2.5 mm <sup>2</sup> 3 LEVEL + GROUND SCREW CLAMP TB	241.50	1	EA	20	B
CTLG2.5EMOV-275V	2.5 mm <sup>2</sup> 3 LVL SW CL SURG SUPPR MOV 275V	315.00	1	EA	50	B
CTS10	10 mm <sup>2</sup> FEED THRU SCREW CLAMP MELAMINE TB	18.60	1	EA	200	B
CTS10BK	10 mm <sup>2</sup> FD THRU SW CL MELAMINE TB BLACK	20.50	1	EA	200	B
CTS10BU	10 mm <sup>2</sup> FD THRU SW CL MELAMINE TB BLUE	20.50	1	EA	200	B
CTS10R	10 mm <sup>2</sup> FD THRU SW CL MELAMINE TB RED	20.50	1	EA	200	B

Part #	Description	List Price in ₹	Per	UOM	Std. Pack	Group
CTS10SC	10 mm <sup>2</sup> FD THRU SPRING LOADED MELAMINE TB	37.00	1	EA	100	B
CTS10U	10 mm <sup>2</sup> FD THRU SCREW CLMP TERMINAL BLOCK	16.40	1	EA	100	B
CTS10UBK	10 mm <sup>2</sup> FEED THRU SCREW CLAMP TB BLACK	18.10	1	EA	100	B
CTS10UBU	10 mm <sup>2</sup> FEED THRU SCREW CLAMP TB BLUE	18.10	1	EA	100	B
CTS10UGN	10 mm <sup>2</sup> FEED THRU SCREW CLAMP TB GREEN	18.10	1	EA	100	B
CTS10UR	10 mm <sup>2</sup> FEED THRU SCREW CLAMP TB RED	18.10	1	EA	100	B
CTS10USC	10 mm <sup>2</sup> FEED THRU SPRING LOADED TB	33.00	1	EA	50	B
CTS10UY	10 mm <sup>2</sup> FEED THRU SCREW CLAMP TB YELLOW	18.10	1	EA	100	B
CTS10Y	10 mm <sup>2</sup> FD THRU SW CL MELAMINE TB YELLOW	20.50	1	EA	200	B
CTS16	16 mm <sup>2</sup> FEED THRU SCREW CLAMP MELAMINE TB	32.00	1	EA	100	B
CTS16BK	16 mm <sup>2</sup> FD THRU SW CL MELAMINE TB BLACK	35.20	1	EA	100	B
CTS16BU	16 mm <sup>2</sup> FD THRU SW CL MELAMINE TB BLUE	35.20	1	EA	100	B
CTS16R	16 mm <sup>2</sup> FD THRU SW CL MELAMINE TB RED	35.20	1	EA	100	B
CTS16U	16 mm <sup>2</sup> FD THRU SCREW CLMP TERMINAL BLOCK	33.00	1	EA	50	B
CTS16UBK	16 mm <sup>2</sup> FEED THRU SCREW CLAMP TB BLACK	36.30	1	EA	50	B
CTS16UBU	16 mm <sup>2</sup> FEED THRU SCREW CLAMP TB BLUE	36.30	1	EA	50	B
CTS16UGN	16 mm <sup>2</sup> FEED THRU SCREW CLAMP TB GREEN	36.30	1	EA	50	B
CTS16UR	16 mm <sup>2</sup> FEED THRU SCREW CLAMP TB RED	36.30	1	EA	50	B
CTS16UY	16 mm <sup>2</sup> FEED THRU SCREW CLAMP TB YELLOW	36.30	1	EA	50	B
CTS16Y	16 mm <sup>2</sup> FD THRU SW CL MELAMINE TB YELLOW	35.20	1	EA	100	B
CTS2.5	4 mm <sup>2</sup> FEED THRU SCREW CLAMP MELAMINE TB	11.10	1	EA	200	B
CTS2.5BK	4 mm <sup>2</sup> FD THRU SW CL MELAMINE TB BLACK	12.30	1	EA	200	B
CTS2.5BU	4 mm <sup>2</sup> FD THRU SW CL MELAMINE TB BLUE	12.30	1	EA	200	B
CTS2.5M	2.5 mm <sup>2</sup> FEED THRU SW CL MELAMINE TB	12.10	1	EA	200	B
CTS2.5R	4 mm <sup>2</sup> FD THRU SW CL MELAMINE TB RED	12.30	1	EA	200	B
CTS2.5UE	2.5 mm <sup>2</sup> FD THRU SCRW CLMP TERMINAL BLOCK	9.20	1	EA	100	B
CTS2.5UEBK	2.5 mm <sup>2</sup> FEED THRU SCREW CLAMP TB BLACK	10.20	1	EA	100	B
CTS2.5UEBU	2.5 mm <sup>2</sup> FEED THRU SCREW CLAMP TB BLUE	10.20	1	EA	100	B
CTS2.5UEGN	2.5 mm <sup>2</sup> FEED THRU SCREW CLAMP TB GREEN	10.20	1	EA	100	B
CTS2.5UER	2.5 mm <sup>2</sup> FEED THRU SCREW CLAMP TB RED	10.20	1	EA	100	B
CTS2.5UEY	2.5 mm <sup>2</sup> FEED THRU SCREW CLAMP TB YELLOW	10.20	1	EA	100	B
CTS2.5UN	2.5 mm <sup>2</sup> FEED THRU SCREW CLAMP TB	8.30	1	EA	100	B
CTS2.5UNBK	2.5 mm <sup>2</sup> FEED THRU SCREW CLAMP TB BLACK	9.20	1	EA	100	B
CTS2.5UNBU	2.5 mm <sup>2</sup> FEED THRU SCREW CLAMP TB BLUE	9.20	1	EA	100	B
CTS2.5UNGN	2.5 mm <sup>2</sup> FEED THRU SCREW CLAMP TB GREEN	9.20	1	EA	100	B
CTS2.5UNR	2.5 mm <sup>2</sup> FEED THRU SCREW CLAMP TB RED	9.20	1	EA	100	B
CTS2.5UNY	2.5 mm <sup>2</sup> FEED THRU SCREW CLAMP TB YELLOW	9.20	1	EA	100	B
CTS2.5Y	4 mm <sup>2</sup> FEED THRU SW CL MELAMINE TB YELLOW	12.30	1	EA	200	B
CTS25UN	25 mm <sup>2</sup> FD THRU SCRW CLAMP TERMINAL BLOCK	47.00	1	EA	50	B
CTS25UNBK	25 mm <sup>2</sup> FEED THRU SCREW CLAMP TB BLACK	51.70	1	EA	50	B
CTS25UNBU	25 mm <sup>2</sup> FEED THRU SCREW CLAMP TB BLUE	51.70	1	EA	50	B
CTS25UNGN	25 mm <sup>2</sup> FEED THRU SCREW CLAMP TB GREEN	51.70	1	EA	50	B
CTS25UNR	25 mm <sup>2</sup> FEED THRU SCREW CLAMP TB RED	51.70	1	EA	50	B
CTS25UNY	25 mm <sup>2</sup> FEED THRU SCREW CLAMP TB YELLOW	51.70	1	EA	50	B
CTS35	35 mm <sup>2</sup> FEED THRU SCREW CLAMP MELAMINE TB	69.00	1	EA	50	B
CTS35BK	35 mm <sup>2</sup> FEED THRU SW CL MELAMINE TB BLK	75.90	1	EA	50	B
CTS35BU	35 mm <sup>2</sup> FEED THRU SW CL MELAMINE TB BLU	75.90	1	EA	50	B
CTS35L	50 mm <sup>2</sup> FEED THRU BOLT/NUT MELAMINE TB	141.00	1	EA	10	B
CTS35LBK	50 mm <sup>2</sup> FD THRU BOLT/NUT MELAMINE TB BLK	155.10	1	EA	10	B
CTS35LBU	50 mm <sup>2</sup> FD THRU BOLT/NUT MELAMINE TB BLUE	155.10	1	EA	10	B
CTS35LR	50 mm <sup>2</sup> FD THRU BOLT/NUT MELAMINE TB RED	155.10	1	EA	10	B

Part #	Description	List Price in ₹	Per	UOM	Std. Pack	Group
CTS35LS	50 mm <sup>2</sup> FEED THRU SLTD BOLT MELAMINE TB	145.00	1	EA	10	B
CTS35LSBK	50 mm <sup>2</sup> FD THRU SLTD BOLT MELAMINE TB BLK	159.50	1	EA	10	B
CTS35LSBU	50 mm <sup>2</sup> FD THRU SLTD BOLT MELAMINE TB BLU	159.50	1	EA	10	B
CTS35LSR	50 mm <sup>2</sup> FD THRU SLTD BOLT MELAMINE TB RED	159.50	1	EA	10	B
CTS35LSY	50 mm <sup>2</sup> FD THRU SLTD BOLT MELAMINE TB YLW	159.50	1	EA	10	B
CTS35LY	50 mm <sup>2</sup> FD THRU BOLT/NUT MELAMINE TB YLW	155.10	1	EA	10	B
CTS35R	35 mm <sup>2</sup> FEED THRU SW CL MELAMINE TB RED	75.90	1	EA	50	B
CTS35UN	35 mm <sup>2</sup> FD THRU SCREW CLMP TERMINAL BLOCK	69.00	1	EA	50	B
CTS35UNA	35 mm <sup>2</sup> FEED THRU ALLEN SCREW CL TB	77.80	1	EA	50	B
CTS35UNABK	35 mm <sup>2</sup> FEED THRU ALLEN SCREW CL TB BLK	85.60	1	EA	50	B
CTS35UNABU	35 mm <sup>2</sup> FEED THRU ALLEN SCREW CL TB BLUE	85.60	1	EA	50	B
CTS35UNAGN	35 mm <sup>2</sup> FEED THRU ALLEN SCREW CL TB GRN	85.60	1	EA	50	B
CTS35UNAR	35 mm <sup>2</sup> FEED THRU ALLEN SCREW CL TB RED	85.60	1	EA	50	B
CTS35UNAY	35 mm <sup>2</sup> FEED THRU ALLEN SCREW CL TB YLW	85.60	1	EA	50	B
CTS35UNBK	35 mm <sup>2</sup> FEED THRU SCREW CLAMP TB BLACK	75.90	1	EA	50	B
CTS35UNBU	35 mm <sup>2</sup> FEED THRU SCREW CLAMP TB BLUE	75.90	1	EA	50	B
CTS35UNGN	35 mm <sup>2</sup> FEED THRU SCREW CLAMP GREEN	75.90	1	EA	50	B
CTS35UNR	35 mm <sup>2</sup> FEED THRU SCREW CLAMP TB RED	75.90	1	EA	50	B
CTS35UNY	35 mm <sup>2</sup> FEED THRU SCREW CLAMP TB YELLOW	75.90	1	EA	50	B
CTS35Y	35 mm <sup>2</sup> FEED THRU SW CL MELAMINE TB YLW	75.90	1	EA	50	B
CTS4SC	4 mm <sup>2</sup> FD THRU SPRING LOADED MELAMINE TB	18.00	1	EA	200	B
CTS4UN	4 mm <sup>2</sup> FD THRU SCREW CLMP TERMINAL BLOCK	10.20	1	EA	100	B
CTS4UNBK	4 mm <sup>2</sup> FEED THRU SCREW CLAMP TB BLACK	11.30	1	EA	100	B
CTS4UNBU	4 mm <sup>2</sup> FEED THRU SCREW CLAMP TB BLUE	11.30	1	EA	100	B
CTS4UNGN	4 mm <sup>2</sup> FEED THRU SCREW CLAMP TB GREEN	11.30	1	EA	100	B
CTS4UNR	4 mm <sup>2</sup> FEED THRU SCREW CLAMP TB RED	11.30	1	EA	100	B
CTS4UNY	4 mm <sup>2</sup> FEED THRU SCREW CLAMP TB YELLOW	11.30	1	EA	100	B
CTS4USC	4 mm <sup>2</sup> FD THRU SPRNG LOADED TERMINL BLOCK	24.50	1	EA	50	B
CTS50/70N	70 mm <sup>2</sup> FEED THRU SCREW CLAMP TERMINAL	198.00	1	EA	20	B
CTS50/70NA	70 mm <sup>2</sup> FEED THRU ALLEN SCREW CL TERMINAL	208.20	1	EA	20	B
CTS50/70NABU	70 mm <sup>2</sup> FEED THRU ALLEN SCREW CL TB BLUE	229.00	1	EA	20	B
CTS50/70NAGN	70 mm <sup>2</sup> FEED THRU ALLEN SCREW CL TB GREEN	229.00	1	EA	20	B
CTS50/70NAR	70 mm <sup>2</sup> FEED THRU ALLEN SCREW CL TB RED	229.00	1	EA	20	B
CTS50/70NAY	70 mm <sup>2</sup> FEED THRU ALLEN SCREW CL TB YLW	229.00	1	EA	20	B
CTS50/70NBK	70 mm <sup>2</sup> FEED THRU SCREW CLAMP TB BLACK	217.80	1	EA	20	B
CTS50/70NBU	70 mm <sup>2</sup> FEED THRU SCREW CLAMP TB BLUE	217.80	1	EA	20	B
CTS50/70NGN	70 mm <sup>2</sup> FEED THRU SCREW CLAMP TB GREEN	217.80	1	EA	20	B
CTS50/70NO	70 mm <sup>2</sup> FEED THRU SCREW CLAMP TB ORAN	217.80	1	EA	20	B
CTS50/70NR	70 mm <sup>2</sup> FEED THRU SCREW CLAMP TB RED	217.80	1	EA	20	B
CTS50/70NY	70 mm <sup>2</sup> FEED THRU SCREW CLAMP TB YELLOW	217.80	1	EA	20	B
CTS6	6 mm <sup>2</sup> FEED THRU SCREW CLAMP MELAMINE TB	13.60	1	EA	200	B
CTS6BK	6 mm <sup>2</sup> FEED THRU SW CL MELAMINE TB BLACK	15.00	1	EA	200	B
CTS6BU	6 mm <sup>2</sup> FEED THRU SW CL MELAMINE TB BLUE	15.00	1	EA	200	B
CTS6R	6 mm <sup>2</sup> FEED THRU SW CL MELAMINE TB RED	15.00	1	EA	200	B
CTS6SC	6 mm <sup>2</sup> FD THRU SPRING LOADED MELAMINE TB	30.00	1	EA	200	B
CTS6U	6 mm <sup>2</sup> FEED THRU SCREW CLAMP TB	12.30	1	EA	100	B
CTS6UBK	6 mm <sup>2</sup> FEED THRU SCREW CLAMP TB BLACK	13.60	1	EA	100	B
CTS6UBU	6 mm <sup>2</sup> FEED THRU SCREW CLAMP TB BLUE	13.60	1	EA	100	B
CTS6UGN	6 mm <sup>2</sup> FEED THRU SCREW CLAMP TB GREEN	13.60	1	EA	100	B
CTS6UR	6 mm <sup>2</sup> FEED THRU SCREW CLAMP TB RED	13.60	1	EA	100	B
CTS6USC	6 mm <sup>2</sup> FEED THRU SPRING LOADED TB	27.00	1	EA	50	B

Part #	Description	List Price in ₹	Per	UOM	Std. Pack	Group
CTS6UY	6 mm <sup>2</sup> FEED THRU SCREW CLAMP TB YELLOW	13.60	1	EA	100	B
CTS6Y	6 mm <sup>2</sup> FEED THRU SW CL MELAMINE TB YELLOW	15.00	1	EA	200	B
CTS70L	70 mm <sup>2</sup> FEED THRU BOLT/NUT MELAMINE TB	195.00	1	EA	10	B
CTS70LBK	70 mm <sup>2</sup> FD THRU BOLT/NUT MELAMINE TB BLK	214.50	1	EA	10	B
CTS70LBU	70 mm <sup>2</sup> FD THRU BOLT/NUT MELAMINE TB BLUE	214.50	1	EA	10	B
CTS70LR	70 mm <sup>2</sup> FD THRU BOLT/NUT MELAMINE TB RED	214.50	1	EA	10	B
CTS70LS	70 mm <sup>2</sup> FEED THRU SLTD BOLT MELAMINE TB	200.00	1	EA	10	B
CTS70LY	70 mm <sup>2</sup> FD THRU BOLT/NUT MELAMINE TB YLW	214.50	1	EA	10	B
CTS95/120N	120 mm <sup>2</sup> FEED THRU SCREW CLAMP TB	320.00	1	EA	10	B
CTS95/120NBK	120 mm <sup>2</sup> FEED THRU SCREW CLAMP TB BLACK	352.00	1	EA	10	B
CTS95/120NBU	120 mm <sup>2</sup> FEED THRU SCREW CLAMP TB BLUE	352.00	1	EA	10	B
CTS95/120NGN	120 mm <sup>2</sup> FEED THRU SCREW CLAMP TB GREEN	352.00	1	EA	10	B
CTS95/120NR	120 mm <sup>2</sup> FEED THRU SCREW CLAMP TB RED	352.00	1	EA	10	B
CTS95/120NY	120 mm <sup>2</sup> FEED THRU SCREW CLAMP TB YELLOW	352.00	1	EA	10	B
CTS95L	95 mm <sup>2</sup> FEED THRU BOLT/NUT MELAMINE TB	270.00	1	EA	10	B
CTS95LBK	95 mm <sup>2</sup> FD THRU BOLT/NUT MELAMINE TB BLK	297.00	1	EA	10	B
CTS95LBU	95 mm <sup>2</sup> FD THRU BOLT/NUT MELAMINE TB BLU	297.00	1	EA	10	B
CTS95LR	95 mm <sup>2</sup> FD THRU BOLT/NUT MELAMINE TB RED	297.00	1	EA	10	B
CTS95LS	95 mm <sup>2</sup> FEED THRU SLTD BOLT MELAMINE TB	275.00	1	EA	10	B
CTS95LY	95 mm <sup>2</sup> FD THRU BOLT/NUT MELAMINE TB YLW	297.00	1	EA	10	B
CTSEP01	END PLATE FOR CTS2.5M	6.30	1	EA	50	B
CTSEP1	END PLATE FOR CTS2.5/6/10	5.80	1	EA	50	B
CTSEP1SC	END PLATE FOR CTS10SC	11.00	1	EA	50	B
CTSEP2	END PLATE FOR CTS16	11.00	1	EA	50	B
CTSEP3	END PLATE FOR CTS35	12.10	1	EA	25	B
CTSEP4	PARTITION PLATE FOR CTS35L/70L/95L	31.10	1	EA	10	B
CTSEP4LO	LOCATING SUPPORT FOR CTSEP4/EP4P	6.60	1	EA	10	B
CTSPC(100MM)	PROTECTIVE COVER FOR CSP1 100mm LONG	51.80	1	EA	50	B
CTSPC(130MM)	PROTECTIVE COVER FOR CSP1 130mm LONG	55.20	1	EA	10	B
CTSPC(150MM)	PROTECTIVE COVER FOR CSP1 150mm LONG	65.60	1	EA	10	B
CTSPC(200MM)	PROTECTIVE COVER FOR CSP1 200mm LONG	77.10	1	EA	10	B
CTSPC(300MM)	PROTECTIVE COVER FOR CSP1 300mm LONG	88.60	1	EA	10	B
CTSPC(330MM)	PROTECTIVE COVER FOR CSP1 330mm LONG	118.50	1	EA	10	B
CTSPC(40MM)	PROTECTIVE COVER FOR CSP1 40mm LONG	35.70	1	EA	50	B
CTSPC(460MM)	PROTECTIVE COVER FOR CSP1 460mm LONG	135.70	1	EA	10	B
CTSPC(90MM)	PROTECTIVE COVER FOR CSP1 90mm LONG	49.50	1	EA	50	B
CTSPC2-1	PROTECTIVE COVER FR CTS35L/70L 100mm LNG	88.60	1	EA	10	B
CTSPC2-2	PROTECTIVE COVER FR CTS35L/70L 190mm LNG	144.90	1	EA	10	B
CTSPC2-3	PROTECTIVE COVER FR CTS95L/LS 130mm LONG	101.20	1	EA	10	B
CTSPC3-1	PROTECTIVE COVER FR CTS95L/LS 90mm LONG	86.30	1	EA	10	B
CTSPC3-2	PROTECTIVE COVER FR CTS35L/70L 210mm LNG	156.40	1	EA	10	B
CTSPPO1	PARTITION PLATE FOR CTS2.5M	9.20	1	EA	50	B
CTSPPO1B	PARTITION PLATE FOR CTS2.5/6/10 BROAD	13.20	1	EA	50	B
CTSPPO1L	PARTITION PLATE FOR CTS2.5/6/10 LONG	12.10	1	EA	50	B
CTSPPO1SC	PARTITION PLATE FOR CTS10SC	14.30	1	EA	50	B
CTSPPO2	PARTITION PLATE FOR CTS16	19.20	1	EA	50	B
CTSPPO3	PARTITION PLATE FOR CTS35	23.20	1	EA	25	B
CTT2.5UE	2.5 mm <sup>2</sup> E-TYPE THERMOCOUPLE TERMINAL	85.00	1	EA	50	B
CTT2.5UJ	2.5 mm <sup>2</sup> J-TYPE THERMOCOUPLE TERMINAL	85.00	1	EA	50	B
CTT2.5UK	2.5 mm <sup>2</sup> K-TYPE THERMOCOUPLE TERMINAL	65.00	1	EA	50	B
CTT2.5UT	2.5 mm <sup>2</sup> T-TYPE THERMOCOUPLE TERMINAL	85.00	1	EA	50	B

Part #	Description	List Price in ₹	Per	UOM	Std. Pack	Group
CX10	10 mm <sup>2</sup> FEED THRU SPRING CLAMP TERMINAL	58.00	1	EA	50	A
CX10/3	10 mm <sup>2</sup> FEED THRU SPRING CLAMP 3 WIRE TB	102.50	1	EA	50	A
CX10/3BK	10 mm <sup>2</sup> FEED THRU SP CLMP 3 WIRE TB BLACK	112.80	1	EA	50	A
CX10/3BU	10 mm <sup>2</sup> FEED THRU SP CLAMP 3 WIRE TB BLUE	112.80	1	EA	50	A
CX10/3GN	10 mm <sup>2</sup> FEED THRU SP CLAMP 3 WIRE TB GRN	112.80	1	EA	50	A
CX10/3R	10 mm <sup>2</sup> FEED THRU SP CLAMP 3 WIRE TB RED	112.80	1	EA	50	A
CX10/3Y	10 mm <sup>2</sup> FEED THRU SP CL 3 WIRE TB YELLOW	112.80	1	EA	50	A
CX10BK	10 mm <sup>2</sup> FEED THRU SPRING CLAMP TB BLACK	63.80	1	EA	50	A
CX10BU	10 mm <sup>2</sup> FEED THRU SPRING CLAMP TB BLUE	63.80	1	EA	50	A
CX10GN	10 mm <sup>2</sup> FEED THRU SPRING CLAMP TB GREEN	63.80	1	EA	50	A
CX10R	10 mm <sup>2</sup> FEED THRU SPRING CLAMP TB RED	63.80	1	EA	50	A
CX10Y	10 mm <sup>2</sup> FEED THRU SPRING CLAMP TB YELLOW	63.80	1	EA	50	A
CX2.5	2.5 mm <sup>2</sup> FEED THRU SPRING CLAMP TERMINAL	9.00	1	EA	100	A
CX2.5/1B	2.5 mm <sup>2</sup> PLUGABLE SPRNG CL FD THRU TB	21.30	1	EA	100	A
CX2.5/2B	2.5 mm <sup>2</sup> PLUGABLE FEED THRU TB	20.00	1	EA	100	A
CX2.5/3	2.5 mm <sup>2</sup> FEED THRU SPR CL 3 WIRE TB	20.80	1	EA	100	A
CX2.5/3/1B	2.5mm <sup>2</sup> 3 WIRE 1 PLUGABLE SP CL FD THR TB	25.50	1	EA	100	A
CX2.5/3BK	2.5 mm <sup>2</sup> FEED THRU SP CL 3 WIRE TB BLACK	22.90	1	EA	100	A
CX2.5/3BU	2.5 mm <sup>2</sup> FEED THRU SP CL 3 WIRE TB BLUE	22.90	1	EA	100	A
CX2.5/3GN	2.5 mm <sup>2</sup> FEED THRU SPR CL 3 WIRE TB GREEN	22.90	1	EA	100	A
CX2.5/3R	2.5 mm <sup>2</sup> FEED THRU SP CL 3 WIRE TB RED	22.90	1	EA	100	A
CX2.5/3Y	2.5 mm <sup>2</sup> FEED THRU SP CL 3 WIRE TB YELLOW	22.90	1	EA	100	A
CX2.5/4	2.5 mm <sup>2</sup> FEED THRU SPRING CLAMP 4 WIRE TB	23.00	1	EA	100	A
CX2.5/4(E)D1	2.5 mm <sup>2</sup> FD THRU SP CL 4 WIRE DIODE D1 TB	92.00	1	EA	100	A
CX2.5/4(E)D2	2.5 mm <sup>2</sup> FD THRU SP CL 4 WIRE DIODE D2 TB	92.00	1	EA	100	A
CX2.5/4(E)R1	2.5 mm <sup>2</sup> FD THRU SP CL 4 WRE RESIST R1 TB	92.00	1	EA	100	A
CX2.5/4(E)R2	2.5 mm <sup>2</sup> FD THRU SP CL 4 WRE RESIS	92.00	1	EA	100	A
CX2.5/4(E)R3	2.5 mm <sup>2</sup> FD THRU SP CL 4 WRE RESIST R3 TB	92.00	1	EA	100	A
CX2.5/4(E)R4	2.5 mm <sup>2</sup> FD THRU SP CL 4 WRE RESIST R4 TB	92.00	1	EA	100	A
CX2.5/4/2B	2.5 mm <sup>2</sup> 4 WIRE PLUGABLE SP CL TER	32.50	1	EA	50	A
CX2.5/4/4B	2.5 mm <sup>2</sup> 4 WIRE PLUGABLE FEED THRU	27.50	1	EA	100	A
CX2.5/4BK	2.5 mm <sup>2</sup> FEED THRU SP CL 4 WIRE TB BLACK	25.30	1	EA	100	A
CX2.5/4BU	2.5 mm <sup>2</sup> FEED THRU SP CL 4 WIRE TB BLUE	25.30	1	EA	100	A
CX2.5/4GN	2.5 mm <sup>2</sup> FEED THRU SP CL 4 WIRE TB GREEN	25.30	1	EA	100	A
CX2.5/4P	2.5mm <sup>2</sup> DOUBLE FEED THRU SPRING CLAMP	95.40	1	EA	100	A
CX2.5/4R	2.5 mm <sup>2</sup> FEED THRU SP CL 4 WIRE TB RED	25.30	1	EA	100	A
CX2.5/4Y	2.5 mm <sup>2</sup> FEED THRU SP CL 4 WIRE TB YELLOW	25.30	1	EA	100	A
CX2.5BK	2.5 mm <sup>2</sup> FEED THRU SPRING CL TB BLK	9.90	1	EA	100	A
CX2.5BU	2.5 mm <sup>2</sup> FEED THRU SPRING CLAMP TB BLUE	9.90	1	EA	100	A
CX2.5GN	2.5 mm <sup>2</sup> FEED THRU SP CL TERMINAL GRN	9.90	1	EA	100	A
CX2.5PLN	2.5 mm <sup>2</sup> 1 POLE PLUG SP CL STACK END TB	25.00	1	EA	50	A
CX2.5PN	2.5 mm <sup>2</sup> 1 POLE PLUG SPRING CLAMP TB	25.00	1	EA	50	A
CX2.5PN/10	2.5 mm <sup>2</sup> 10 POLE PLUG SPRING CLAMP TB	250.00	1	EA	25	A
CX2.5PN/11	2.5 mm <sup>2</sup> 11 POLE PLUG SPRING CLAMP TB	275.00	1	EA	10	A
CX2.5PN/12	2.5 mm <sup>2</sup> 12 POLE PLUG SPRING CLAMP TB	300.00	1	EA	10	A
CX2.5PN/13	2.5 mm <sup>2</sup> 13 POLE PLUG SPRING CLAMP TB	325.00	1	EA	10	A
CX2.5PN/14	2.5 mm <sup>2</sup> 14 POLE PLUG SPRING CLAMP TB	350.00	1	EA	10	A
CX2.5PN/15	2.5 mm <sup>2</sup> 15 POLE PLUG SPRING CLAMP TB	375.00	1	EA	10	A
CX2.5PN/16	2.5 mm <sup>2</sup> 16 POLE PLUG SPRING CLAMP TB	400.00	1	EA	10	A
CX2.5PN/2	2.5 mm <sup>2</sup> 2 POLE PLUG SPRING CLAMP TB	50.00	1	EA	50	A
CX2.5PN/3	2.5 mm <sup>2</sup> 3 POLE PLUG SPRING CLAMP TB	75.00	1	EA	50	A

Part #	Description	List Price in ₹	Per	UOM	Std. Pack	Group
CX2.5PN/4	2.5 mm <sup>2</sup> 4 POLE PLUG SPRING CLAMP TB	100.00	1	EA	50	A
CX2.5PN/5	2.5 mm <sup>2</sup> 5 POLE PLUG SPRING CLAMP TB	125.00	1	EA	50	A
CX2.5PN/6	2.5 mm <sup>2</sup> 6 POLE PLUG SPRING CLAMP TB	150.00	1	EA	25	A
CX2.5PN/7	2.5 mm <sup>2</sup> 7 POLE PLUG SPRING CLAMP TB	175.00	1	EA	25	A
CX2.5PN/8	2.5 mm <sup>2</sup> 8 POLE PLUG SPRING CLAMP TB	200.00	1	EA	25	A
CX2.5PN/9	2.5 mm <sup>2</sup> 9 POLE PLUG SPRING CLAMP TB	225.00	1	EA	25	A
CX2.5R	2.5 mm <sup>2</sup> FEED THRU SPRING CL TB RED	9.90	1	EA	100	A
CX2.5SN	2.5 mm <sup>2</sup> 1 POLE SOCKET SPRING CLAMP TB	27.50	1	EA	50	A
CX2.5SN/10	2.5 mm <sup>2</sup> 10 POLE SOCKET SPRING CLAMP TB	275.00	1	EA	25	A
CX2.5SN/11	2.5 mm <sup>2</sup> 11 POLE SOCKET SPRING CLAMP TB	302.50	1	EA	10	A
CX2.5SN/12	2.5 mm <sup>2</sup> 12 POLE SOCKET SPRING CLAMP TB	330.00	1	EA	10	A
CX2.5SN/13	2.5 mm <sup>2</sup> 13 POLE SOCKET SPRING CLAMP TB	357.50	1	EA	10	A
CX2.5SN/14	2.5 mm <sup>2</sup> 14 POLE SOCKET SPRING CLAMP TB	385.00	1	EA	10	A
CX2.5SN/15	2.5 mm <sup>2</sup> 15 POLE SOCKET SPRING CLAMP TB	412.50	1	EA	10	A
CX2.5SN/16	2.5 mm <sup>2</sup> 16 POLE SOCKET SPRING CLAMP TB	440.00	1	EA	10	A
CX2.5SN/2	2.5 mm <sup>2</sup> 2 POLE SOCKET SPRING CLAMP TB	55.00	1	EA	50	A
CX2.5SN/3	2.5 mm <sup>2</sup> 3 POLE SOCKET SPRING CLAMP TB	82.50	1	EA	50	A
CX2.5SN/4	2.5 mm <sup>2</sup> 4 POLE SOCKET SPRING CLAMP TB	110.00	1	EA	50	A
CX2.5SN/5	2.5 mm <sup>2</sup> 5 POLE SOCKET SPRING CLAMP TB	137.50	1	EA	50	A
CX2.5SN/6	2.5 mm <sup>2</sup> 6 POLE SOCKET SPRING CLAMP TB	165.00	1	EA	25	A
CX2.5SN/7	2.5 mm <sup>2</sup> 7 POLE SOCKET SPRING CLAMP TB	192.50	1	EA	25	A
CX2.5SN/8	2.5 mm <sup>2</sup> 8 POLE SOCKET SPRING CLAMP TB	220.00	1	EA	25	A
CX2.5SN/9	2.5 mm <sup>2</sup> 9 POLE SOCKET SPRING CLAMP TB	247.50	1	EA	25	A
CX2.5Y	2.5 mm <sup>2</sup> FEED THRU SPR CL TB YELLOW	9.90	1	EA	100	A
CX4	4 mm <sup>2</sup> FEED THRU SPRING CL TERMINAL	15.00	1	EA	100	A
CX4/3	4SQ MM SP CL MODULAR TB (3 WIRE)	28.00	1	EA	50	A
CX4/3BK	4 mm <sup>2</sup> FEED THRU SP CL 3 WIRE TB BLACK	30.80	1	EA	50	A
CX4/3BU	4SQ MM SP CL MODULAR TB (3 WIRE) BLU	30.80	1	EA	50	A
CX4/3GN	4SQ MM SP CL MODULAR TB (3 WIRE)	30.80	1	EA	50	A
CX4/3R	4 mm <sup>2</sup> FEED THRU SP CL 3 WIRE TB RED	30.80	1	EA	50	A
CX4/3Y	4 mm <sup>2</sup> FEED THRU SP CL 3 WIRE TB YELL	30.80	1	EA	50	A
CX4/4	4SQ MM SP CL MODULAR TB (4 WIRE)	33.00	1	EA	50	A
CX4/4BK	4 mm <sup>2</sup> FEED THRU SP CL 4 WIRE TB BLACK	36.30	1	EA	50	A
CX4/4BU	4SQ MM SP CL MODULAR TB (4 WIRE) BLU	36.30	1	EA	50	A
CX4/4GN	4 mm <sup>2</sup> FEED THRU SP CL 4 WIRE TB GREEN	36.30	1	EA	50	A
CX4/4R	4 mm <sup>2</sup> FEED THRU SP CL 4 WIRE TB RED	36.30	1	EA	50	A
CX4/4Y	4 mm <sup>2</sup> FEED THRU SP CL 4 WIRE TB YELLOW	36.30	1	EA	50	A
CX4BK	4 mm <sup>2</sup> FEED THRU SPRING CL TB BLACK	16.50	1	EA	100	A
CX4BU	4 mm <sup>2</sup> FEED THRU SPRING CLAMP TB BLUE	16.50	1	EA	100	A
CX4GN	4 mm <sup>2</sup> FEED THRU SPRING CL TB GREEN	16.50	1	EA	100	A
CX4R	4 mm <sup>2</sup> FEED THRU SPRING CLAMP TB RED	16.50	1	EA	100	A
CX4Y	4 mm <sup>2</sup> FEED THRU SPRING CL TB YELLOW	16.50	1	EA	100	A
CX6	6 mm <sup>2</sup> FEED THRU SPRING CLAMP TERMINAL	29.50	1	EA	100	A
CX6/3	6 mm <sup>2</sup> FEED THRU SPRING CLAMP 3 WIRE TB	65.00	1	EA	50	A
CX6/3BK	6 mm <sup>2</sup> FEED THRU SP CLMP 3 WIRE TB BLACK	71.50	1	EA	50	A
CX6/3BU	6 mm <sup>2</sup> FEED THRU SP CL 3 WIRE TB BLUE	71.50	1	EA	50	A
CX6/3GN	6 mm <sup>2</sup> FEED THRU SP CL 3 WIRE TB GREE	71.50	1	EA	50	A
CX6/3R	6 mm <sup>2</sup> FEED THRU SP CLMP 3 WIRE TB RED	71.50	1	EA	50	A
CX6/3Y	6 mm <sup>2</sup> FEED THRU SP CLMP 3 WIRE TB YELLOW	71.50	1	EA	50	A
CX6BK	6 mm <sup>2</sup> FEED THRU SPRING CL TB BLACK	32.50	1	EA	100	A
CX6BU	6 mm <sup>2</sup> FEED THRU SPRING CLAMP TB BLUE	32.50	1	EA	100	A

Part #	Description	List Price in ₹	Per	UOM	Std. Pack	Group
CX6GN	6 mm <sup>2</sup> FEED THRU SPRING CLAMP TB GREEN	32.50	1	EA	100	A
CX6R	6 mm <sup>2</sup> FEED THRU SPRING CLAMP TB RED	32.50	1	EA	100	A
CX6Y	6 mm <sup>2</sup> FEED THRU SPRING CL TB YELLOW	32.50	1	EA	100	A
CXAF4/3	4 mm <sup>2</sup> SPRING CLAMP AUTOMOTIVE FUSE 3W TB	156.00	1	EA	50	A
CXCC4	4mm <sup>2</sup> COMPONENT CARRIER SPRING CLAMP TB	62.40	1	EA	50	A
CXCC4/3	4 mm <sup>2</sup> 3 WIRE COMPONENT CARRIER SP CL TB	74.90	1	EA	50	A
CXCP2.5/4	2.5mm <sup>2</sup> FD THRU SPCL 4W MICRO TB FR DIN35	21.00	1	EA	50	A
CXDB35/10	1X35mm <sup>2</sup> I/P 4X10mm <sup>2</sup> O/P HYBRID TERMINAL	165.00	1	EA	20	A
CXDB35/10A	1X35mm <sup>2</sup> I/P 4X10mm <sup>2</sup> O/P HYBRID ALLEN TB	175.00	1	EA	20	A
CXDIN	MOUNTING FEET FOR CX2.5P TERMINAL BLOCK	7.70	1	EA	100	A
CXDL2.5	2.5 mm <sup>2</sup> 2 LEVEL SPRING CLAMP TERMINAL	26.50	1	EA	50	A
CXDL2.5(E)D1	2.5 mm <sup>2</sup> 2 LEVEL SPRING CLAMP DIODE D1 TB	80.50	1	EA	50	A
CXDL2.5(E)D2	2.5 mm <sup>2</sup> 2 LEVEL SPRING CLAMP DIODE D2 TB	80.50	1	EA	50	A
CXDL2.5(E)D3	2.5 mm <sup>2</sup> 2 LEVEL SPRING CLAMP DIODE D3 TB	80.50	1	EA	50	A
CXDL2.5(E)DD1	2.5 mm <sup>2</sup> 2 LEVEL SPRING CL DIODE DD1 TB	80.50	1	EA	50	A
CXDL2.5(E)DD2	2.5 mm <sup>2</sup> 2 LEVEL SPRING CL DIODE DD2 TB	80.50	1	EA	50	A
CXDL2.5(E)DD3	2.5 mm <sup>2</sup> 2 LEVEL SPRING CL DIODE DD3 TB	80.50	1	EA	50	A
CXDL2.5(E)DD4	2.5 SQ.MM TERMINAL BLOCKS WITH DIODE CIR	80.50	1	EA	50	A
CXDL2.5(E)DD5	2.5 mm <sup>2</sup> 2 LEVEL SPRING CL DIODE D	80.50	1	EA	50	A
CXDL2.5(E)DD6	2.5 mm <sup>2</sup> 2 LEVEL SPRING CL DIODE D	80.50	1	EA	50	A
CXDL2.5(E)LD1240V	2.5 mm <sup>2</sup> 2 LEVEL SPRING CLAMP LED 110-	80.50	1	EA	50	A
CXDL2.5(E)LD16-60V	2.5 mm <sup>2</sup> 2 LEVEL SPRING CLAMP LED 6-60V	80.50	1	EA	50	A
CXDL2.5(I.S)	2.5 mm <sup>2</sup> 2 LVL SPRING CLAMP INT SHRTD TB	36.30	1	EA	50	A
CXDL2.5/2B	2.5 mm <sup>2</sup> 2 LEVEL PLUGABLE SP CL TB	50.00	1	EA	50	A
CXDL2.5/2B(I.S)	2.5 mm <sup>2</sup> 2 LEVEL PLUGABLE SP CL INT SHRTD TB	75.00	1	EA	50	A
CXDL2.5BK	2.5 mm <sup>2</sup> 2 LVL SPNG CL TERMINAL BLACK	29.20	1	EA	50	A
CXDL2.5BU	2.5 mm <sup>2</sup> 2 LVL SPRNG CL TERMINAL BLUE	29.20	1	EA	50	A
CXDL2.5GN	2.5 mm <sup>2</sup> 2 LVL SPNG CL TERMINAL GREEN	29.20	1	EA	50	A
CXDL2.5R	2.5 mm <sup>2</sup> 2 LVL SPR CL TERMINAL RED	29.20	1	EA	50	A
CXDL2.5Y	2.5 mm <sup>2</sup> 2 LVL SPR CL TERMINAL YLW	29.20	1	EA	50	A
CXDLG2.5	2.5 mm <sup>2</sup> FEED THRU + GND SPRING CL TB	80.70	1	EA	50	A
CXDLG2.5(I.S)	2.5 mm <sup>2</sup> 2 LEVEL SPRING CL GROUND TB	92.20	1	EA	50	A
CXDLG2.5/2B	2.5 mm <sup>2</sup> 2 LEVEL PLUGABLE SP CL GR	145.00	1	EA	50	A
CXDLG2.5/2B(I.S)	2.5 mm <sup>2</sup> 2 LVL PLUGABLE SPRING CL GRN	218.80	1	EA	50	A
CXF4	4mm <sup>2</sup> Ø5X20mm SPRING CLAMP FUSE TB	51.00	1	EA	50	A
CXF4/3	4mm <sup>2</sup> Ø5X20mm SPRING CLAMP FUSE 3 WIRE TB	81.20	1	EA	50	A
CXF4/3L110-240V	4 mm <sup>2</sup> Ø5X20mm SP CL FUSE 3W TB 110-240V	98.60	1	EA	50	A
CXF4/3L6-60V	4 mm <sup>2</sup> Ø5X20mm SP CL FUSE 3 WIRE TB 6-60V	98.60	1	EA	50	A
CXF4BK	4mm <sup>2</sup> Ø5X20mm SPRING CLAMP FUSE TB BLK	56.10	1	EA	50	A
CXF4BU	4mm <sup>2</sup> Ø5X20mm SPRING CLAMP FUSE TB BLU	56.10	1	EA	50	A
CXF4L110-240V	4mm <sup>2</sup> Ø5X20mm SPR CL FU TB110-240V	72.00	1	EA	50	A
CXF4L110-240VBK	4mm <sup>2</sup> Ø5X20mm SPR CL FU TB110-240V BLACK	79.20	1	EA	50	A
CXF4L110-240VBU	4mm <sup>2</sup> Ø5X20mm SPR CL FU TB110-240V BLUE	79.20	1	EA	50	A
CXF4L6-60V	4mm <sup>2</sup> Ø5X20mm SPRING CLMP FUSE TB 6-60V	72.00	1	EA	50	A
CXF4L6-60VBK	4mm <sup>2</sup> Ø5X20mm SPRG CLMP FUSE TB 6-60V BLK	79.20	1	EA	50	A
CXF4L6-60VBU	4mm <sup>2</sup> Ø5X20mm SPRG CLMP FUSE TB 6-60V BLU	79.20	1	EA	50	A
CXG10	10 mm <sup>2</sup> SPRING CLAMP GROUNDING TB	147.00	1	EA	50	A
CXG10/3	10 mm <sup>2</sup> SPRING CLAMP 3 WIRE GROUND TB	161.00	1	EA	50	A
CXG2.5	2.5 mm <sup>2</sup> SPRING CLAMP GROUNDING TB	55.00	1	EA	100	A
CXG2.5/1B	2.5 mm <sup>2</sup> PLUGABLE SPRING CLAMP GROUND TB	71.30	1	EA	100	A
CXG2.5/2B	2.5 mm <sup>2</sup> PLUGABLE GROUND TB	70.00	1	EA	100	A

Part #	Description	List Price in ₹	Per	UOM	Std. Pack	Group
CXG2.5/3	2.5 mm <sup>2</sup> SPRING CL 3 WIRE GROUND TB	83.00	1	EA	100	A
CXG2.5/3/1B	2.5 mm <sup>2</sup> 3 WIRE PLUGABLE SP CL GROUND TB	86.80	1	EA	100	A
CXG2.5/4	2.5 mm <sup>2</sup> SPRING CLAMP 4 WIRE GROUND TB	87.00	1	EA	100	A
CXG2.5/4/2B	2.5 mm <sup>2</sup> 4 WIRE PLUGABLE SP CL GRO	100.00	1	EA	100	A
CXG2.5/4/4B	2.5 mm <sup>2</sup> 4 WIRE PLUGABLE GROUND TE	96.30	1	EA	100	A
CXG4	4 mm <sup>2</sup> SPRING CLAMP GROUNDING TB	57.60	1	EA	100	A
CXG4/3	4SQ EARTHING SP CL MOD TB (3 WIRE)	88.20	1	EA	50	A
CXG4/4	4SQ EARTHING SP CL MOD TB (4 WIRE)	95.50	1	EA	50	A
CXG6	6 mm <sup>2</sup> SPRING CLAMP GROUNDING TB	114.00	1	EA	100	A
CXG6/3	6 mm <sup>2</sup> SPRING CLAMP 3 WIRE GROUND TB	129.90	1	EA	50	A
CXK2.5	2.5mm <sup>2</sup> 2 WIRE KNIFE DISCON SPR CL TB	36.00	1	EA	100	A
CXK2.5/4	2.5mm <sup>2</sup> 4 WIRE KNIFE DISCON SPR CL TB	43.00	1	EA	50	A
CXK2.5/4BK	2.5mm <sup>2</sup> 4 WIRE KNIFE DISCON SP CL TB BLACK	47.30	1	EA	50	A
CXK2.5/4BU	2.5mm <sup>2</sup> 4 WIRE KNIFE DISCON SP CL TB BLUE	47.30	1	EA	50	A
CXK2.5/4GN	2.5mm <sup>2</sup> 4 WIRE KNIFE DISCON SP CL TB GREEN	47.30	1	EA	50	A
CXK2.5/4R	2.5mm <sup>2</sup> 4 WIRE KNIFE DISCON SP CL TB RED	47.30	1	EA	50	A
CXK2.5/4Y	2.5mm <sup>2</sup> 4 WIRE KNIFE DISCON SP CL YELLOW	47.30	1	EA	50	A
CXK2.5BK	2.5mm <sup>2</sup> 2 WIRE KNIFE DISCON SP CL BLACK	39.60	1	EA	100	A
CXK2.5BU	2.5mm <sup>2</sup> 2 WIRE KNIFE DISCON SP CL BLUE	39.60	1	EA	100	A
CXK2.5GN	2.5mm <sup>2</sup> 2 WIRE KNIFE DISCON SP CL GREEN	39.60	1	EA	100	A
CXK2.5R	2.5mm <sup>2</sup> 2 WIRE KNIFE DISCON SP CL RED	39.60	1	EA	100	A
CXK2.5Y	2.5mm <sup>2</sup> 2 WIRE KNIFE DISCON SP CL YELLOW	39.60	1	EA	100	A
CXK4	4mm <sup>2</sup> 2 WIRE KNIFE DISCON SPRNG CLMP TB	69.00	1	EA	50	A
CXK4/3	4 mm <sup>2</sup> 3 WIRE KNIFE DISCON SPRNG CLMP TB	109.30	1	EA	50	A
CXK4BU	4mm <sup>2</sup> 2 WIRE KNIFE DISCON SP CLMP TB BLUE	75.90	1	EA	50	A
CXK4R	4mm <sup>2</sup> 2 WIRE KNIFE DISCON SP CLMP TB RED	75.90	1	EA	50	A
CXLPN	LOCKING PIN FOR CX2.5PN / CX2.5SN	6.60	1	EA	25	A
CXM2.5	2.5mm <sup>2</sup> FEED THRU SP CL TB FR DIN15 RAIL	9.20	1	EA	100	A
CXM2.5BK	2.5 mm <sup>2</sup> MINIATURE SPRING CLAMP TB	10.20	1	EA	100	A
CXM2.5BU	2.5MM <sup>2</sup> FEED THRU SP CL TB DIN15 RAIL BLU	10.20	1	EA	100	A
CXM2.5GN	2.5mm <sup>2</sup> FEED THRU SP CL TB DIN15 RAIL GRN	10.20	1	EA	100	A
CXM2.5R	2.5mm <sup>2</sup> FEED THRU SP CL TB DIN15 RAIL RED	10.20	1	EA	100	A
CXM2.5Y	2.5 mm <sup>2</sup> MINIATURE SPRING CLAMP TB	10.20	1	EA	100	A
CXMG2.5	2.5mm <sup>2</sup> SP CL GROUND TB FR DIN15 RAIL	40.30	1	EA	100	A
CXPOLN	CODING PIN FOR CX2.5PN / CX2.5PLN	2.80	1	EA	20	A
CXS2.5	2.5mm <sup>2</sup> FD THRU SIDE ENTRY SPRING CLMP TB	9.00	1	EA	50	A
CXS2.5BK	2.5mm <sup>2</sup> FD THRU SIDE ENTRY SP CL BLACK	9.90	1	EA	50	A
CXS2.5BU	2.5mm <sup>2</sup> FD THRU SIDE ENTRY SPRING CL BLUE	9.90	1	EA	50	A
CXS2.5R	2.5mm <sup>2</sup> FD THRU SIDE ENTRY SP CL RED	9.90	1	EA	50	A
CXS2.5Y	2.5mm <sup>2</sup> FD THRU SIDE ENTRY SP CL YELLOW	9.90	1	EA	50	A
CXS2.5GN	2.5mm <sup>2</sup> FD THRU SIDE ENTRY SP CL GREEN	9.90	1	EA	50	A
CXS4	4 mm <sup>2</sup> FD THRU SIDE ENTRY SPRING CLMP TB	14.20	1	EA	100	A
CXS4BK	4 mm <sup>2</sup> FD THRU SIDE ENTRY SP CL TB BLK	15.70	1	EA	100	A
CXS4BU	4 mm <sup>2</sup> FD THRU SIDE ENTRY SP CL TB BLU	15.70	1	EA	100	A
CXS4GN	4 mm <sup>2</sup> FD THRU SIDE ENTRY SP CL TB GRN	15.70	1	EA	100	A
CXS4R	4 mm <sup>2</sup> FD THRU SIDE ENTRY SP CL TB RED	15.70	1	EA	100	A
CXS4Y	4mm <sup>2</sup> FD THRU SIDE ENTRY SP CL YELLOW	15.70	1	EA	100	A
CXSG2.5	2.5mm <sup>2</sup> SIDE ENTRY SPRING CLAMP GROUND TB	71.00	1	EA	50	A
CXSG4	4 mm <sup>2</sup> SIDE ENTRY SPRING CLAMP GROUND TB	86.00	1	EA	100	A
CXSR2N	2W STRAIN RELIEF PLATE CX2.5PN / CX2.5SN	8.80	1	EA	25	A
CXSR4N	4W STRAIN RELIEF PLATE FR CX2.5PN/CX2.5S	11.00	1	EA	25	A

Part #	Description	List Price in ₹	Per	UOM	Std. Pack	Group
CXVF2.5A	6mm <sup>2</sup> I/P 2X2.5mm <sup>2</sup> O/P Ø5X20mm FUSE SPCLTB	180.00	1	EA	50	A
CXVFA	6 mm <sup>2</sup> Ø5X20mm FUSE SPRING CLAMP TB	190.00	1	EA	50	A
CY10	10 mm <sup>2</sup> FEED THRU SCREW CLAMP TERMINAL	18.90	1	EA	50	A
CY10BU	10 mm <sup>2</sup> FEED THRU SCREW CLAMP TB BLU	20.90	1	EA	50	A
CY2.5	2.5 mm <sup>2</sup> FEED THRU SCREW CLAMP TERMINAL	9.60	1	EA	100	A
CY2.5BU	2.5 mm <sup>2</sup> FEED THRU SCREW CLAMP TB BLU	10.50	1	EA	100	A
CY4	4 mm <sup>2</sup> FEED THRU SCREW CLAMP TERMINAL	11.50	1	EA	100	A
CY4/3	4 mm <sup>2</sup> FEED THRU SCREW CLAMP 3 WIRE TB	24.80	1	EA	50	A
CY4/4	4 mm <sup>2</sup> FEED THRU SCREW CLAMP 4 WIRE TB	34.50	1	EA	50	A
CY4BU	4 mm <sup>2</sup> FEED THRU SCREW CLAMP TB BLU	13.20	1	EA	100	A
CY6	6 mm <sup>2</sup> FEED THRU SCREW CLAMP TERMINAL	14.20	1	EA	100	A
CY6BU	6 mm <sup>2</sup> FEED THRU SCREW CLAMP TB BLU	15.60	1	EA	100	A
CYDL2.5	2.5mm <sup>2</sup> 2 LEVEL FD THRU SCREW CLMP TB	29.70	1	EA	50	A
CYDL2.5BU	2.5mm <sup>2</sup> 2 LEVEL FD THRU SCREW CLMP TB BLU	32.70	1	EA	50	A
CYDL2.5(I.S)	2.5mm <sup>2</sup> 2 LEVEL FD THRU SW CL INT SHRT TB	44.00	1	EA	50	
CYDLG2.5	2.5mm <sup>2</sup> 2 LEVEL FD THRU SCRW CLMP GND TB	99.00	1	EA	50	
CYDLG2.5(I.S)	2.5mm <sup>2</sup> 2 LEVEL SW CL INT SHRT TB	128.70	1	EA	50	
CYDL4	4mm <sup>2</sup> 2 LEVEL FD THRU SCREW CLMP TB	29.50	1	EA	50	A
CYDL4(I.S)	4mm <sup>2</sup> 2 LEVEL FD THRU SW CL INT SHRT TB	44.10	1	EA	50	
CYDL4ED1	4 MM <sup>2</sup> 2 LEVEL SCREW CLAMP DIODE D1 TB	63.30	1	EA	50	A
CYDL4ED2	4 MM <sup>2</sup> 2 LEVEL SCREW CLAMP DIODE D2 TB	63.30	1	EA	50	A
CYDL4ED3	4 MM <sup>2</sup> 2 LEVEL SCREW CLAMP DIODE D3 TB	63.30	1	EA	50	A
CYDL4EDD1	4 MM <sup>2</sup> 2 LEVEL SCREW CLAMP 2 DIODE DD1 TB	69.00	1	EA	50	A
CYDL4EDD2	4 MM <sup>2</sup> 2 LEVEL SCREW CLAMP 2 DIODE DD2 TB	69.00	1	EA	50	A
CYDL4EDD3	4 MM <sup>2</sup> 2 LEVEL SCREW CLAMP 2 DIODE DD3 TB	69.00	1	EA	50	A
CYDL4EDD4	4 MM <sup>2</sup> 2 LEVEL SCREW CLAMP 2 DIODE DD4 TB	69.00	1	EA	50	A
CYDL4EDD512V	4 MM <sup>2</sup> 2 LVL SCRW CL 12V DIODE DD5 TB	74.80	1	EA	50	A
CYDL4EDD524V	4 MM <sup>2</sup> 2 LVL SCRW CL 24V DIODE DD5 TB	74.80	1	EA	50	A
CYDL4EL124V	4 MM <sup>2</sup> 2 LEVEL SCREW CLAMP 24V LED L1 TB	74.80	1	EA	50	A
CYDL4EL224V	4 MM <sup>2</sup> 2 LEVEL SCREW CLAMP 24V LED L2 TB	74.80	1	EA	50	A
CYDL4ELD124V	4 MM <sup>2</sup> 2 LEVEL SCRW CLAMP 24V LED LD1 TB	74.80	1	EA	50	A
CYDL4ELD224V	4 MM <sup>2</sup> 2 LEVEL SCRW CLAMP 24V LED LD2 TB	74.80	1	EA	50	A
CYDL4ELD312V	4 MM <sup>2</sup> 2 LEVEL SCREW CLAMP 12V LED LD	74.80	1	EA	50	A
CYDL4ELD324V	4 MM <sup>2</sup> 2 LEVEL SCREW CLAMP 24V LED LD3 TB	74.80	1	EA	50	A
CYDL4ELD424V	4 MM <sup>2</sup> 2 LEVEL SCREW CLAMP 24V LED LD4 TB	74.80	1	EA	50	A
CYDL4ELD448V	4 MM <sup>2</sup> 2 LEVEL SCREW CLAMP 48V LED LD4 TB	74.80	1	EA	50	A
CYDL4ELD5110V	4 MM <sup>2</sup> 2 LEVEL SCRW CLAMP 110V LED LD5 TB	74.80	1	EA	50	A
CYDL4ELD5220V	4 MM <sup>2</sup> 2 LEVEL SCRW CLAMP 220V LED LD5 TB	74.80	1	EA	50	A
CYDL4ELD524V	4 MM <sup>2</sup> 2 LEVEL SCREW CLAMP 24V LED LD5 TB	74.80	1	EA	50	A
CYDLF4	4mm <sup>2</sup> 2 LEVEL Ø5X20mm SCREW CL FUSE TB	120.80	1	EA	50	A
CYDLF4FT	4mm <sup>2</sup> CYDLF PRO FEED THRU SCERW CL TB	115.00	1	EA	50	A
CYDLF4L110-240V	4mm <sup>2</sup> Ø5X20mm FUSE SC CL TB LED 110-240V	138.00	1	EA	50	A
CYDLF4L6-60V	4mm <sup>2</sup> Ø5X20mm FUSE SC CL TB LED 6-60V	138.00	1	EA	50	A
CYDLF4LR	4mm <sup>2</sup> 2 LEVEL Ø5X20mm SCREW CL FU TB	161.00	1	EA	50	A
CYDLG4	4mm <sup>2</sup> 2 LEVEL FD THRU SCRW CLMP GND TB	96.60	1	EA	50	A
CYDLG4(I.S)	4mm <sup>2</sup> 2 LVL FD THRU SC CL INT SHRT GND TB	105.00	1	EA	50	A
CYDLGF4	4mm <sup>2</sup> 2 LEVEL Ø5X20mm FUSE+GND SW CL TB	154.00	1	EA	50	A
CYDLGF4FT	4mm <sup>2</sup> CYDLF PRO FEED THRU +GND SW CL TB	148.50	1	EA	50	A
CYDLGF4L110-240V	4mm <sup>2</sup> 2 LEVEL Ø5X20mm FUSE+GND SW CL TB	170.50	1	EA	50	A
CYDLGF4L6-60V	4mm <sup>2</sup> 2 LEVEL Ø5X20mm FUSE+GND SW CL TB	170.50	1	EA	50	A
CYDLGF4LR	4mm <sup>2</sup> 2 LEVEL Ø5X20mm FUSE+GND SW CL TB	176.00	1	EA	50	A

Part #	Description	List Price in ₹	Per	UOM	Std. Pack	Group
CYDLGK4	4mm <sup>2</sup> 2 LEVEL KNIFE DISCON + GND SW CL TB	148.50	1	EA	50	A
CYDLK4	4mm <sup>2</sup> 2 LEVEL KNIFE DISCON SCREW CL TB	115.50	1	EA	50	A
CYDLK4BU	4mm <sup>2</sup> 2 LEVEL KNIFE DISCON SW CL TB BLU	127.60	1	EA	50	A
CYF4	4mm <sup>2</sup> Ø5X20mm FUSE 6mm WIDE TERMNAL BLOCK	52.50	1	EA	50	A
CYF4BU	4mm <sup>2</sup> Ø5X20mm FUSE 6mm WIDE TB BLU	57.20	1	EA	50	A
CYF4L110-240V	4mm <sup>2</sup> Ø5X20mm FUSE SC CL TB LED 110-240V	70.20	1	EA	50	A
CYF4L6-60V	4mm <sup>2</sup> Ø5X20mm FUSE SC CL TB LED 6-60V	70.20	1	EA	50	A
CYG10	10 mm <sup>2</sup> SCREW CLAMP GROUND TERMINAL	92.00	1	EA	50	A
CYG2.5	2.5 mm <sup>2</sup> SCREW CLAMP GROUNDING TB	60.00	1	EA	100	A
CYG4	4 mm <sup>2</sup> SCREW CLAMP GROUNDING TB	65.60	1	EA	100	A
CYG4/3	4 mm <sup>2</sup> FEED THRU SP CL 3 WIRE GROUND TB	93.50	1	EA	50	A
CYG4/4	4 mm <sup>2</sup> FEED THRU SP CL 4 WIRE GROUND TB	99.00	1	EA	50	A
CYG6	6 mm <sup>2</sup> SCREW CLAMP GROUNDING TB	80.50	1	EA	50	A
CYK2.5	2.5 mm <sup>2</sup> 2 WIRE KNIFE DISCON SCREW CL	35.20	1	EA	50	A
CYK4	4 mm <sup>2</sup> 2 WIRE KNIFE DISCON SCREW CL TB	46.20	1	EA	50	A
CYK4BU	4 mm <sup>2</sup> 2 WIRE KNIFE DISCON SCRWB CL TB BLU	50.90	1	EA	50	A
CYTLF2.5	2.5MM <sup>2</sup> 3 LEVEL FD THRU SCRWB CLMP FUSE TB	151.00	1	EA	50	A
CYTLF2.5L110-240V	2.5MM <sup>2</sup> 3 LVL SC CL FUSE TB LED 110-240V	166.00	1	EA	50	A
CYTLF2.5L6-60V	2.5MM <sup>2</sup> 3 LVL SC CL FUSE TB LED 6-60V	166.00	1	EA	50	A
CYTLGF2.5	2.5MM <sup>2</sup> 3 LEVEL SCRWB CLMP FUSE GND TB	185.00	1	EA	50	A
CYTLGF2.5L110-240V	2.5MM <sup>2</sup> 3 LVL SC FUSE GND TB LED 110-240V	200.00	1	EA	50	A
CYTLGF2.5L6-60V	2.5MM <sup>2</sup> 3 LVL SC CL FUSE GND TB LED 6-60V	200.00	1	EA	50	A
DB16	16 MM <sup>2</sup> 76AMP DISTRIBUTION BLOCK TB	236.00	1	EA	10	B
DB16BK	16 MM <sup>2</sup> 76AMP DISTRIBUTION BLOCK TB BLK	259.60	1	EA	10	B
DB16BU	16 MM <sup>2</sup> 76AMP DISTRIBUTION BLOCK TB BLU	259.60	1	EA	10	B
DB16GN	16 MM <sup>2</sup> 76AMP DISTRIBUTION BLOCK TB GRN	259.60	1	EA	10	B
DB16R	16 MM <sup>2</sup> 76AMP DISTRIBUTION BLOCK TB RED	259.60	1	EA	10	B
DB16Y	16 MM <sup>2</sup> 76AMP DISTRIBUTION BLOCK TB YLW	259.60	1	EA	10	B
DB35	35 MM <sup>2</sup> 125AMP DISTRIBUTION BLOCK TB	331.00	1	EA	10	B
DB35BK	35 MM <sup>2</sup> 125AMP DISTRIBUTION BLOCK TB BLK	364.10	1	EA	10	B
DB35BU	35 MM <sup>2</sup> 125AMP DISTRIBUTION BLOCK TB BLU	364.10	1	EA	10	B
DB35GN	35 MM <sup>2</sup> 125AMP DISTRIBUTION BLOCK TB GRN	364.10	1	EA	10	B
DB35R	35 MM <sup>2</sup> 125AMP DISTRIBUTION BLOCK TB RED	364.10	1	EA	10	B
DB35Y	35 MM <sup>2</sup> 125AMP DISTRIBUTION BLOCK TB YLW	364.10	1	EA	10	B
DDDL4U	4 mm <sup>2</sup> 2 LEVEL DISCONNECT SCREW CLAMP TB	77.00	1	EA	20	B
DDDL4U/S	4 mm <sup>2</sup> 2 LEVEL DISCONNECT SLTD SW CL TB	75.90	1	EA	20	B
DDDL4U/SBU	4 mm <sup>2</sup> 2 LEVEL DISCONNECT SLTD SW TB	83.50	1	EA	20	B
DDDL4UBU	4 mm <sup>2</sup> 2 LVL DISCONNECT SW CL TB BLU	84.70	1	EA	20	B
DDFL4U	4 mm <sup>2</sup> 2 LEVEL Ø5X20mm 6.3A SW CL FUSE TB	83.30	1	EA	20	B
DDFL4UBK	4 mm <sup>2</sup> 2 LVL Ø5X20mm 6.3A SW CL FUSE BLK	91.60	1	EA	20	B
DDFL4UBU	4 mm <sup>2</sup> 2 LVL Ø5X20mm 6.3A SW CL FUSE BLU	92.60	1	EA	20	B
DDFL4UE110-240V	4 mm <sup>2</sup> 2 LVL Ø5X20mm 6.3A FUSE 110-240V	90.00	1	EA	20	B
DDFL4UE110V	4 mm <sup>2</sup> 2 LVL Ø5X20mm 6.3A SW CL FUSE 110V	90.00	1	EA	20	B
DDFL4UE110VW/F	4 mm <sup>2</sup> 2 LVL Ø5X20mm SCREW CL FUSE 110V	85.50	1	EA	20	B
DDFL4UE12V	4 mm <sup>2</sup> 2 LVL Ø5X20mm 6.3 SW CL FU 12V	90.00	1	EA	20	B
DDFL4UE220V	4 mm <sup>2</sup> 2 LVL Ø5X20mm 6.3A SW CL FUSE 220V	90.00	1	EA	20	B
DDFL4UE220VW/F	4 mm <sup>2</sup> 2 LVL Ø5X20mm SCREW CL FUSE 220V	85.50	1	EA	20	B
DDFL4UE24V	4 mm <sup>2</sup> 2 LVL Ø5X20mm 6.3A SW CL FUSE 24V	90.00	1	EA	20	B
DDFL4UE24VW/F	4 mm <sup>2</sup> 2 LVL Ø5X20mm SCREW CL FUSE 24V	85.50	1	EA	20	B
DDFL4UE440V	4 mm <sup>2</sup> 2 LVL Ø5X20mm 6.3A SWCL FU 440	102.40	1	EA	20	B
DDFL4UE440VW/F	4 mm <sup>2</sup> 2 LVL Ø5X20mm SCREW CL FUSE 44	93.40	1	EA	20	B

Part #	Description	List Price in ₹	Per	UOM	Std. Pack	Group
DDFL4UE48V	4 mm <sup>2</sup> 2 LVL Ø5X20mm 6.3A SW CL FUSE 48V	90.00	1	EA	20	B
DDFL4UE48VW/F	4 mm <sup>2</sup> 2 LVL Ø5X20mm SCREW CL FUSE 48V	85.50	1	EA	20	B
DDFL4UE6-60V	4 mm <sup>2</sup> 2 LVL Ø5X20mm 6.3A SW CL FUS 6-60V	90.00	1	EA	20	B
DDFL4UELR110V	4 mm <sup>2</sup> 2 LVL Ø5X20mm 6.3A SW CL FUSE	102.40	1	EA	20	B
DDFL4UELR220V	4 mm <sup>2</sup> 2 LVL Ø5X20mm 6.3A SW CL FUSE 220V	102.40	1	EA	20	B
DDFL4UELR24V	4 mm <sup>2</sup> 2 LVL Ø5X20mm 6.3A SW CL FUSE 24V	102.40	1	EA	20	B
DDFL4UELR24VW/F	4 mm <sup>2</sup> 2 LVL Ø5X20mm SW CL W/O FUSE 24V	97.90	1	EA	20	B
DDFL4UELR440VW/F	4 mm <sup>2</sup> 2 LVL Ø5X20mm SCREW CL FUSE 44	108.00	1	EA	20	B
DDFL4UELR48V	4 mm <sup>2</sup> 2 LVL Ø5X20mm 6.3A SW CL FUSE 48V	102.40	1	EA	20	B
DDFL4ULR	4 mm <sup>2</sup> 2 LEVEL Ø5X20mm 6.3A SW CL FUSE TB	93.40	1	EA	20	B
DDFL4ULRW/F	4 mm <sup>2</sup> 2 LEVEL Ø5X20mm SCREW CL FUSE TB	84.40	1	EA	20	B
DDFL4UW/F	4 mm <sup>2</sup> 2 LEVEL Ø5X20mm SCREW CL FUSE TB	74.00	1	EA	20	B
DDPT	2 LEVEL MS SCREW 11mm PITCH PCB TB	33.00	1	EA	50	A
EP1ODL2.5	SPACER PLATE FOR OD2.5	5.00	1	EA	50	B
EP1ODL4U	END PLATE FOR OD4U	5.90	1	EA	50	B
EP2.5/4UN	END PLATE FOR CTS2.5UN/4UN	5.00	1	EA	50	B
EP2.5/4UNBU	END PLATE FOR CTS2.5UN/4UN BLUE	5.50	1	EA	50	B
EP4P	PARTITION PLATE FOR CTS35L/70L/95L	28.00	1	EA	10	B
EP6/10U	END PLATE FOR CTS6U/10U	5.40	1	EA	50	B
EP6/10UBU	END PLATE FOR CTS6U/10U BLUE	6.00	1	EA	50	B
EPADLG2.5	END PLT FOR ADLG2.5 GRAY	12.40	1	EA	50	A
EPAS2.5	END PLATE FOR AS2.5 SERIES	7.30	1	EA	50	A
EPAS2.5BU	PA END PLT FR AS2.5 BLU	8.10	1	EA	50	A
EPAS2.5O	END PLATE FOR AS2.5 ORANGE SERIES	8.10	1	EA	50	A
EPAS4	END PLATE FOR AS4 SERIES	8.40	1	EA	50	A
EPAS4BU	END PLATE FOR AS4 BLUE SERIES	9.30	1	EA	50	A
EPAS6	END PLATE FOR AS6 SERIES	12.40	1	EA	50	A
EPAS6BU	END PLATE FOR AS6 BLUE SERIES	13.60	1	EA	50	A
EPATL2.5	END PLATE FOR ATL2.5	22.40	1	EA	50	A
EPATL2.5H	END PLATE FOR ATL2.5H	15.20	1	EA	50	A
EPATLG2.5	END PLATE FOR ATLG2.5	18.50	1	EA	50	A
EPCAF4U	END PLATE FOR CAFL4U	10.10	1	EA	50	B
EPCBDT4U	END PLATE FOR CBDT4U	11.80	1	EA	50	B
EPCBDT4UN	END PLATE FOR CBDT4UN	11.80	1	EA	50	B
EPCBS3U	END PLATE FOR CBS & CSB SERIES TB	7.90	1	EA	50	B
EPCDL4U	END PLATE FOR CDL4U	11.20	1	EA	50	B
EPCDL4UN	END PLATE FOR CDL4UN	9.30	1	EA	50	B
EPCDL4UNBU	END PLATE FOR CDL4UN BLUE	10.40	1	EA	50	B
EPCDLG2.5	END PLATE FOR CDLG2.5	14.60	1	EA	50	B
EPCDS6U	END PLATE FOR CDS6U	10.10	1	EA	50	B
EPCDTTU	END PLATE FOR CDTTU	12.40	1	EA	50	B
EPCGT4UY	END PLATE FOR CGT4U YELLOW	9.00	1	EA	50	B
EPCKT4U	END PLATE FOR CKT4U	8.40	1	EA	50	B
EPCKT4U/4	END PLATE FOR CKT4U/4	12.90	1	EA	50	B
EPCM1.5S	END PLATE FOR CM1.5S/S2	3.00	1	EA	50	A
EPCM2.5S	END PLATE FOR CM2.5S/S2	3.20	1	EA	50	A
EPCM4S	END PLATE FOR CM4S/S2	4.90	1	EA	50	B
EPCMB4	END PLATE FOR CMB4	6.10	1	EA	50	B
EPCMC1-2	END PLATE FOR CMC1-2	9.60	1	EA	50	B
EPCMC2-2	END PLATE FOR CMC2-2	12.90	1	EA	50	B
EPCMDT4	END PLATE FOR CMDT4	12.70	1	EA	50	B

Part #	Description	List Price in ₹	Per	UOM	Std. Pack	Group
EPCMS2.5	END PLATE FOR CMS2.5	4.90	1	EA	50	A
EPCMT10	END PLATE FOR CMT10	6.80	1	EA	50	B
EPCMT4	END PLATE FOR CMT4	5.10	1	EA	50	B
EPCP1.5	END PLATE FOR CP1.5	4.60	1	EA	50	A
EPCP1.5/3	END PLATE FOR CP1.5/3	5.90	1	EA	50	A
EPCP1.5/4	END PLATE FOR CP1.5/4	6.20	1	EA	50	A
EPCP3L2.5	EP FOR CP3L SERIES	33.60	1	EA	30	A
EPCP4LG2.5	EP FOR CP4LG2.5	39.20	1	EA	30	A
EPCPDL1.5	END PLATE FOR CPDL1.5	9.00	1	EA	50	A
EPCPDLK2.5	END PLATE FOR CPDLK2.5	20.20	1	EA	50	A
EPCPPT2.5/3	END PLATE FOR CPPT2.5/3	28.00	1	EA	50	A
EPCPPT2.5/4	END PLATE FOR CPPT2.5/4 GRAY	33.60	1	EA	50	A
EPCPT50	END PLATE FOR CPT5 ORANGE	8.40	1	EA	100	A
EPCPTL2.5	END PLATE FOR CPTL SERIES TB	22.40	1	EA	50	A
EPCSC16/3T	END PLATE FOR CSC16/3T	16.80	1	EA	20	B
EPCSC16T	END PLATE FOR CSC16T	11.80	1	EA	50	B
EPCSC16TBU	END PLT FR CSC16T BLU	13.00	1	EA	50	B
EPCSCP2.5T	END PLATE FOR CSCP2.5T	6.80	1	EA	50	A
EPCSFL4U	END PLATE FOR CSFL4U	9.60	1	EA	50	B
EPCSTSB4/N4	END PLATE FOR CSTSB4/N4	8.00	1	EA	50	B
EPCSTSU	END PLATE FOR CSTSN4/N5U	8.40	1	EA	50	B
EPCTC4U	END PLATE FOR CTC4U	7.40	1	EA	50	B
EPCTL2.5U	END PLATE FOR CTL2.5U	12.90	1	EA	50	B
EPCTL2.5UH	END PLATE FOR CTL2.5UH	9.60	1	EA	50	B
EPCTLG2.5	END PLATE FOR CTLG2.5	19.10	1	EA	50	B
EPCX10	END PLATE FOR CX10 & CXG10	7.40	1	EA	50	A
EPCX10/3	END PLATE FOR CX10/3 & CXG10/3	9.00	1	EA	20	A
EPCX10/3BU	END PLATE FOR CX10/3 & CXG10/3 BLU	10.10	1	EA	20	A
EPCX10/30	END PLATE FOR CX10/3 & CXG10/3 ORG	10.10	1	EA	250	A
EPCX10BU	END PLATE FOR CX10 & CXG10 BLU	8.20	1	EA	50	A
EPCX100	END PLATE FOR CX10 & CXG10 ORG	8.20	1	EA	50	A
EPCX2.5	END PLATE FOR CX2.5/CXG2.5	4.60	1	EA	50	A
EPCX2.5/3	END PLATE FOR CX2.5/3 & CXG2.5/3	5.90	1	EA	50	A
EPCX2.5/3BU	END PLATE FOR CX2.5/3 & CXG2.5/3 BLUE	6.50	1	EA	50	A
EPCX2.5/30	END PLATE FOR CX2.5/3 & CXG2.5/3 ORG	6.50	1	EA	50	A
EPCX2.5/4	END PLATE FOR CX2.5/4&CXK2.5/4&CXG2.5/4	6.20	1	EA	50	A
EPCX2.5/4/2B	END PLATE FOR CX2.5/4/2B	11.20	1	EA	50	A
EPCX2.5/4/4B	END PLATE FOR CX2.5/4/4B	13.50	1	EA	50	A
EPCX2.5/4BU	END PLATE FOR CX2.5/4&CXG2.5/4 BLUE	6.90	1	EA	50	A
EPCX2.5/40	END PLATE FOR CX2.5/4 ORANGE	6.90	1	EA	50	A
EPCX2.5BU	END PLATE FOR CX2.5/CXG2.5 BLUE	5.10	1	EA	50	A
EPCX2.50	END PLATE FOR CX2.5 AND CXG2.5 ORANGE	5.10	1	EA	50	A
EPCX2.5SN	END PLATE FOR CX2.5SN	4.90	1	EA	50	A
EPCX4	END PLATE FOR CX4 & CXG4	5.90	1	EA	50	A
EPCX4/3	END PLATE FOR CX4/3 & CXG4/3	7.40	1	EA	50	A
EPCX4/4	END PLATE FOR CX4/4 & CXG4/4	8.80	1	EA	50	A
EPCX4/40	END PLATE FOR CX4/4 ORANGE	9.70	1	EA	50	A
EPCX4BU	END PLATE FOR CX4 & CXG4 BLUE	6.50	1	EA	50	A
EPCX40	END PLATE FOR CX4 & CXG4 ORANGE	6.50	1	EA	50	A
EPCX4R	END PLATE FOR CX4 & CXG4 RED	6.50	1	EA	50	A
EPCX6	END PLATE FOR CX6 & CXG6	7.30	1	EA	50	A

Part #	Description	List Price in ₹	Per	UOM	Std. Pack	Group
EPCX6/3	END PLATE FOR CX6/3 & CXG6/3	8.40	1	EA	50	A
EPCX6/3BU	END PLATE FOR CX6/3 & CXG6/3 BLU	9.30	1	EA	50	A
EPCX6/30	END PLATE FOR CX6/3 & CXG6/3 ORG	9.30	1	EA	50	A
EPCX6BU	END PLATE FOR CX6 & CXG6 BLU	8.10	1	EA	50	A
EPCX60	END PLATE FOR CX6 & CXG6 ORG	8.10	1	EA	50	A
EPCXCP2.5/4	END PLATE FOR CXCP2.5/4	7.70	1	EA	50	A
EPCXDL2.5	END PLATE FOR CXDL2.5 SERIES	9.00	1	EA	50	A
EPCXDL2.5/2B	END PLATE FOR CXDL2.5/2B	13.50	1	EA	50	A
EPCXM2.5	END PLATE FOR CXM2.5	5.00	1	EA	50	A
EPCXS2.5	END PLATE FOR CXS2.5 & CXS4	4.10	1	EA	50	A
EPCY2.5/10	END PLATE FOR CY2.5/4/6/10 CYG2.5/4/6/10	6.20	1	EA	50	A
EPCY4/3	END PLATE FOR CY4/3 & CYG4/3	11.20	1	EA	50	A
EPCY4/4	END PLATE FOR CY4/4 & CYG4/4	15.70	1	EA	50	A
EPCYDL2.5/4	END PLATE FOR CYDL2.5 & CYDL4	10.40	1	EA	50	A
EPDDL4U	END PLATE FOR DDFL4U	13.00	1	EA	20	B
EPODL2.5	END PLATE FOR ODL2.5	12.40	1	EA	50	B
EPODL4U	END PLATE FOR ODL4U(FS)	14.60	1	EA	50	B
EPSTH3	END PLATE FOR STH3	7.90	1	EA	50	B
EPSTH4	END PLATE FOR STH4	8.30	1	EA	50	B
EPSTH4DT	END PLATE FOR STH4DT	12.40	1	EA	50	B
EPSTH6	END PLATE FOR STH6	11.20	1	EA	50	B
EPUSC	END PLT FR CTS4USC/6USC/10USC/CHV SERIES	9.00	1	EA	50	B
FPCMST	PA FIXING PLT FR CMST1	6.60	1	EA	50	B
GMH1	GROUP MARKER HOLDER MOUNTED ON CA602	6.40	1	EA	100	B
GMH2	GROUP MARKER HOLDER MOUNTED ON CA702	6.40	1	EA	100	B
GMH3	GROUP MARKER HOLDER MOUNTED ON CA702	6.40	1	EA	100	B
GMH4	GROUP MARKER HOLDER MOUNTED ON CA802	6.40	1	EA	100	B
GMH5	GROUP MARKER HOLDER MOUNTED ON CA702	6.40	1	EA	100	B
GMH6	GROUP MARKR HOLDR MOUNTD ON DIN RAILS	13.80	1	EA	50	B
GMH7	GROUP MARKR HOLDR MOUNTD ON DIN RAILS	21.00	1	EA	50	B
GMH8	GROUP MARKER HOLDER MOUNTED ON CA103	12.70	1	EA	100	B
GMH8N	GROUP MARKER HOLDER MOUNTED ON CA103-6mm	11.50	1	EA	100	B
GMH9	GROUP MARKER HOLDER MOUNTED ON CA103/104	16.10	1	EA	100	B
JX1.5/10	10 POLE SHRT LNK FR 3.5MM WIDE SP CL TB	59.80	1	EA	10	A
JX1.5/2	2 POLE SHRT LNK FR 3.5MM WIDE SP CL TB	7.30	1	EA	100	A
JX1.5/3	3 POLE SHRT LNK FR 3.5MM WIDE SP CL T	12.70	1	EA	100	A
JX1.5/4	4 POLE SHRT LNK FR 3.5MM WIDE SP CL T	23.00	1	EA	100	A
JX10/2	2 POLE SHRT LNK FR 10MM WIDE SP CL TB	29.40	1	EA	20	A
JX2.5/10	10 POLE SHRT LNK FR 5MM WIDE SP CL TB	59.80	1	EA	10	A
JX2.5/2	2 POLE SHRT LNK FR 5MM WIDE SP CL TB	7.30	1	EA	100	A
JX2.5/3	3 POLE SHRT LNK FR 5MM WIDE SP CL TB	12.70	1	EA	50	A
JX2.5/4	4 POLE SHRT LNK FR 5MM WIDE SP CL TB	23.00	1	EA	50	A
JX2.5/5	5 POLE SHRT LNK FR 5MM WIDE SP CL TB	34.50	1	EA	50	A
JX2.5/6	6 POLE SHRT LNK FR 5MM WIDE SP CL TB	42.60	1	EA	10	A
JX2.5/7	7 POLE SHRT LNK FR 5MM WIDE SP CL TB	46.00	1	EA	10	A
JX4/10	10 POLE SHRT LNK FR 6MM WIDE SP CL TB	80.50	1	EA	10	A
JX4/16	16 POLE SHRT LNK FR 6MM WIDE SP CL TB	126.50	1	EA	10	A
JX4/2	2 POLE SHRT LNK FR 6MM WIDE SP CL TB	13.30	1	EA	100	A
JX4/3	3 POLE SHRT LNK FR 6MM WIDE SP CL TB	23.00	1	EA	50	A
JX4/4	4 POLE SHRT LNK FR 6MM WIDE SP CL TB	34.50	1	EA	50	A
JX4/8	8 POLE SHRT LNK FR 6MM WIDE SP CL TB	57.50	1	EA	10	A

Part #	Description	List Price in ₹	Per	UOM	Std. Pack	Group
JX6/10	10 POLE SHRT LNK FR 8MM WIDE SP CL TB	115.00	1	EA	10	A
JX6/2	2 POLE SHRT LNK FR 8MM WIDE SP CL TB	20.20	1	EA	100	A
JX6/3	3 POLE SHRT LNK FR 8MM WIDE SP CL TB	34.50	1	EA	50	A
JX6/4	4 POLE SHRT LNK FR 8MM WIDE SP CL TB	48.30	1	EA	50	A
JXS10/2.5	2P STEP DOWN INSU SHRT LNK FR CX10 CX2.5	54.10	1	EA	50	A
JXS10/4	2P STEP DOWN INSU SHRT LNK FR CX10 & CX4	54.10	1	EA	50	A
JXS10/6	2P STEP DOWN INSU SHRT LNK FR CX10 & CX6	55.20	1	EA	50	A
JXS4/2.5	2P STEP DOWN INSU SHRT LNK FR CX4 &	54.10	1	EA	50	A
JXS6/2.5	2P STEP DOWN INSU SHRT LNK FR CX6 CX2.5	54.10	1	EA	50	A
JXS6/4	2P STEP DOWN INSU SHRT LNK FR CX6 & CX4	54.10	1	EA	50	A
JY10/2	2 POLE INSULATED SHORTING LINK FOR CY10	29.40	1	EA	20	A
JY6/2	2 POLE INSULATED SHORTING LINK FOR CY6	20.20	1	EA	100	A
LCCDS	LOCK OUT CAP FOR CDS6U	6.10	1	EA	50	A
LCSTH4DT	LOCK OUT CAP FOR STH4DT	8.10	1	EA	50	A
MACK-RN5	MARKER MOUNTING CARR FOR CSTSRN5	8.80	1	EA	100	B
MACK-RN6	MARKER MOUNTING CARR FOR CSTSRN6	8.80	1	EA	100	B
MH2.5(FG)	MOUNTING HANDLE SUITABLE FOR 2.5UN/2.5UE	110.00	1	EA	1	B
MH4(FG)	MOUNTING HANDLE SUITABLE FOR 4UN	110.00	1	EA	1	B
MS3.5WHT	MS3.5 100 MT HOR PRINT MARKER BLANK	64.40	1	PKT	1	A
MS3.5WP	MS3.5 100 MT HOR PRINTED MARKERS WHT	73.50	1	PKT	1	A
MS5WHT	5 MM WIDE MARKER (STRIP) BLANK	64.40	1	PKT	1	A
MS5WP	5 MM WIDE MARKER (STRIP) PRINTED	73.50	1	PKT	1	A
NEB10	COPPER BUS BAR 10X3mm 1METER LONG	840.00	1	EA	10	B
NEB6	COPPER BUS BAR 6X6mm 1METER LONG	840.00	1	EA	10	B
NES	PLASTIC SUPPORT FOR NEB	10.00	1	EA	50	B
NESCC	END BRACKET AND SUPPORT FOR NEB BUSBAR	198.00	1	EA	10	B
ODL2.5	2.5 mm <sup>2</sup> OFFSET 2 LVL SW CL TB	26.90	1	EA	50	B
ODL2.5(I.S)	2.5mm <sup>2</sup> 2 LVL OFFSET INT SHRT SW CL TB	35.80	1	EA	50	B
ODL2.5A	2.5 mm <sup>2</sup> MODULAR OFFSET 2 LVL SW CL TB	26.90	1	EA	50	B
ODL2.5A(I.S)	2.5mm <sup>2</sup> MODULR OFFSET 2L INT SHRT SWCL TB	35.80	1	EA	50	B
ODL4U	4 mm <sup>2</sup> FEED THRU OFFSET 2 LEVEL SW CL TB	28.50	1	EA	50	B
ODL4UA	4 mm <sup>2</sup> FEED THRU OFFSET 2LVL STACKABLE TB	31.30	1	EA	50	B
ODL4UBK	4 mm <sup>2</sup> FEED THRU OFFSET 2LVL SW CL TB BLK	31.40	1	EA	50	B
ODL4UBU	4 mm <sup>2</sup> FEED THRU OFFSET 2LVL SW CL TB BLU	31.40	1	EA	50	B
ODL4UY	4 MM <sup>2</sup> FEED THRU OFFSET 2LVL SW CL TB YLW	31.40	1	EA	50	B
ODLG2.5	2.5mm <sup>2</sup> 2 LVL OFFSET GND SW CL TB	86.10	1	EA	50	B
ODLG2.5(I.S)	2.5mm <sup>2</sup> OFFSET 2L INT SHRT GND SW CL TB	95.00	1	EA	50	B
ODLG2.5A	2.5mm <sup>2</sup> MODULAR OFFSET 2 LVL GND SW CL TB	86.10	1	EA	50	B
ODLG2.5A(I.S)	2.5mm <sup>2</sup> MODULAR OFFSET 2L INT SHRT GND TB	95.00	1	EA	50	B
PL-34000040	EK VARIO ENGRAVER VE 500 UNIT COMPLETE	486901.70	1	EA	1	A
PL-34130098	CMPS600 BASIC PLOTTER UNIT SOFTWARE INCL	302578.10	1	EA	1	A
PL-34130099	CMPS600 A3 PLOTTER UNIT SOFTWARE INCL	464321.00	1	EA	1	A
PL-34902001	K5 FIXTURE FOR CMPS500	18094.50	1	EA	1	A
PL-34902057	K9 FIXTURE FOR CMPS500	18094.50	1	EA	1	A
PL-34902080	CA 509-G1/G2/G4 FIXTURE FOR CMPS500	18094.50	1	EA	1	A
PL-34902081	K2 FIXTURE FOR CMPS500	18094.50	1	EA	1	A
PL-34902103	K2 FIXTURE FULL A3 SIZE FOR CMPS500	67052.20	1	EA	1	A
PL-34902104	K5 FIXTURE FULL A3 SIZE FOR CMPS500	67052.20	1	EA	1	A
PL-34902106	UNIVERSAL ENGRAVING PLOT PLT SIZE-A4	23772.00	1	EA	1	A
PL-34902117	UNIVERSAL ENGRAVING PLOT PLATE 90X10	18094.50	1	EA	1	A
PL-35003118	DISPOSABLE PLOTTER PEN-D .18 MM ED BLACK	5724.00	1	EA	1	A

Part #	Description	List Price in ₹	Per	UOM	Std. Pack	Group
PL-35003125	DISPO PLOTTER PEN-D .25 MM ED BLACK	5724.00	1	EA	1	A
PL-35003135	DISPO PLOTTER PEN-D .35 MM ED BLACK	5724.00	1	EA	1	A
PL-35010000	ENGRAVING NEEDLE 15° - 0,5 MM, FOR P	5102.50	1	EA	1	A
PL-35010001	ENGRAVING NEEDLE 15° - 0,4 MM, FOR P	5102.50	1	EA	1	A
PL-35010002	ENGRAVING NEEDLE 15° - 0,3 MM, FOR P	5102.50	1	EA	1	A
PL-35010003	ENGRAVING NEEDLE 15° - 0,2 MM, FOR P	5102.50	1	EA	1	A
PL-35010004	ENGRAVING NEEDLE 15° - 0,7 MM, FOR P	5102.50	1	EA	1	A
PL-35010005	ENGRAVING NEEDLE 15°-1,0 MM, FOR PLA	5102.50	1	EA	1	A
PL-35010006	NEEDLE 15°-SET OF0.2;0.3;0.4;0.5;0.7	27928.80	1	EA	1	A
PL-35010013	ENGRAVING NEEDLE 35° - 0,2 MM, FOR M	12963.30	1	EA	1	A
PL-35010014	ENGRAVING NEEDLE 35° - 0,4 MM, FOR M	12963.30	1	EA	1	A
PL-35010030	DOUBLE TOOTH CUTTER FISHTAIL .50 MM	3925.90	1	EA	1	A
PL-35010031	DOUBLE TOOTH CUTTER FISHTAIL .60 MM	3925.90	1	EA	1	A
PL-35010032	DOUBLE TOOTH CUTTER FISHTAIL .80 MM	3925.90	1	EA	1	A
PL-35010034	DOUBLE TOOTH CUTTER FISHTAIL 1,20 MM	3925.90	1	EA	1	A
PL-35010035	DOUBLE TOOTH CUTTER FISHTAIL 1,40 MM	3925.90	1	EA	1	A
PL-35010036	DOUBLE TOOTH CUTTER FISHTAIL 1,60 MM	3925.90	1	EA	1	A
PL-35010037	DOUBLE TOOTH CUTTER FISHTAIL 2,00 MM	3925.90	1	EA	1	A
PL-35010038	DOUBLE TOOTH CUTTER FISHTAIL 2,40 MM	3925.90	1	EA	1	A
PP2.5/4UN	PARTITION PLATE FOR CTS2.5UN/4UN/2.5UE	9.90	1	EA	50	B
PP25UN	PARTITION PLATE FOR CTS25UN	13.20	1	EA	50	B
PP35UN	PARTITION PLATE FOR CTS35UN	14.50	1	EA	50	B
PP6/10U	PARTITION PLATE FOR CTS6U/10U	12.10	1	EA	50	B
PPCBB	PARTITION PLATE FOR CBB35/50 /CBB70	27.30	1	EA	10	B
PPCBB1	PARTITION PLATE FOR CBB95/120/150/185	31.70	1	EA	10	B
PPCMT4	PARTITION PLATE FOR CMT4	6.60	1	EA	50	B
PPCSFL4U	PARTITION PLATE FOR CSFL4U	12.10	1	EA	50	B
PPCX10	PARTITION PLATE FOR CX10	10.50	1	EA	20	A
PPCX4	PARTITION PLATE FOR CX4	7.40	1	EA	50	A
PPCX4/3	PARTITION PLATE FOR CX4/3	9.10	1	EA	50	A
PPCX4/4	PARTITION PLATE FOR CX4/4	12.10	1	EA	50	A
PPCY2.5/10	PARTITION PLATE FOR CY2.5/4/6/10	11.00	1	EA	50	A
PPCYDL2.5/4	PARTITION PLATE FOR CYDL2.5 CYDL4	13.80	1	EA	20	A
PSPTB35/50	PROTECTIVE SHROUD FOR PTB35/50	15.00	1	EA	20	B
PSPTB35/50BK	PROTECTIVE SHROUD FOR PTB35/50 BLK	17.30	1	EA	20	B
PSPTB35/50BU	PROTECTIVE SHROUD FOR PTB35/50 BLU	17.30	1	EA	20	B
PSPTB35/50Y	PROTECTIVE SHROUD FOR PTB35/50 YLW	17.30	1	EA	20	B
PSPTB70/95	PROTECTIVE SHROUD FR PTB70/95	23.00	1	EA	20	B
PTB120/150	150 mm² FT BARRIER TYPE BOLT TB	450.00	1	EA	5	B
PTB120/150SH	150 mm² FT BARRIER TYPE SHROUDED BOLT TB	485.00	1	EA	5	B
PTB120/150SHBK	150 mm² FT BARRIER TYPE SHRD BOLT BLK	533.50	1	EA	5	B
PTB120/150SHGN	150 mm² FT BARRIER TYPE SHRD BOLT GRN	533.50	1	EA	5	B
PTB120/150SHR	150 mm² FT BARRIER TYPE SHRD BOLT RED	533.50	1	EA	5	B
PTB35/50	50 mm² FEED THRU BARRIER TYPE BOLT TB	176.00	1	EA	10	B
PTB35/50/M	50 mm² FEED THRU BARRIER TYPE BOLT TB	176.00	1	EA	10	B
PTB35/50BK	50 mm² FEED THRU BARRIER TYP BOLT TB BLK	193.60	1	EA	10	B
PTB35/50BU	50 mm² FEED THRU BARRIER TYP BOLT TB BLU	193.60	1	EA	10	B
PTB35/50GN	50 mm² FEED THRU BARRIER TYP BOLT TB GRN	193.60	1	EA	10	B
PTB35/50R	50 mm² FEED THRU BARRIER TYP BOLT TB RED	193.60	1	EA	10	B
PTB35/50SH	50 mm² FT BARRIER TYPE SHROUDED BOLT TB	199.50	1	EA	10	B
PTB35/50SHBK	50 mm² BARRIER TYPE SHROUD BOLT TB BLK	219.50	1	EA	10	B

Part #	Description	List Price in ₹	Per	UOM	Std. Pack	Group
PTB35/50SHBU	50 mm <sup>2</sup> BARRIER TYPE SHROUD BOLT TB BLU	219.50	1	EA	10	B
PTB35/50SHGN	50 mm <sup>2</sup> BARRIER TYPE SHROUD BOLT TB GREEN	219.50	1	EA	10	B
PTB35/50SHR	50 mm <sup>2</sup> BARRIER TYPE SHROUD BOLT TB RED	219.50	1	EA	10	B
PTB35/50SHY	50 mm <sup>2</sup> BARRIER TYPE SHROUD BOLT TB YLW	219.50	1	EA	10	B
PTB35/50Y	50 mm <sup>2</sup> FEED THRU BARRIER TYP BOLT TB YLW	193.60	1	EA	10	B
PTB70/95	95 mm <sup>2</sup> FEED THRU BARRIER TYPE BOLT TB	255.30	1	EA	10	B
PTB70/95BK	95 mm <sup>2</sup> FEED THRU BARRIER TYP BOLT TB BLK	280.90	1	EA	10	B
PTB70/95BU	95 mm <sup>2</sup> FEED THRU BARRIER TYP BOLT TB BLU	280.90	1	EA	10	B
PTB70/95GN	95 mm <sup>2</sup> FEED THRU BARRIER TYP BOLT TB GRN	280.90	1	EA	10	B
PTB70/95R	95 mm <sup>2</sup> FEED THRU BARRIER TYP BOLT TB RED	280.90	1	EA	10	B
PTB70/95SH	95 mm <sup>2</sup> FT BARRIER TYPE SHROUDED BOLT TB	294.70	1	EA	10	B
PTB70/95SHBK	95 mm <sup>2</sup> BARRIER TYPE SHROUD BOLT TB BLK	324.20	1	EA	10	B
PTB70/95SHBU	95 mm <sup>2</sup> BARRIER TYPE SHROUD BOLT TB BLU	324.20	1	EA	10	B
PTB70/95SHR	95 mm <sup>2</sup> BARRIER TYPE SHROUD BOLT TB RED	324.20	1	EA	10	B
PTB70/95SHY	95 mm <sup>2</sup> BARRIER TYPE SHROUD BOLT TB YLW	324.20	1	EA	10	B
PTB70/95SHGN	95 mm <sup>2</sup> BARRIER TYPE SHROUD BOLT TB GRN	324.20	1	EA	10	B
PTB70/95Y	95 mm <sup>2</sup> FEED THRU BARRIER TYP BOLT TB YLW	280.90	1	EA	10	B
QJ11/2	2P BANANA PLUG FOR STH4DT	80.50	1	EA	25	A
QJ11/3	3P BANANA PLUG FOR STH4DT	105.00	1	EA	25	A
QJ11/4	4P BANANA PLUG FOR STH4DT / STH4DTSH	161.00	1	EA	25	A
QJ8/2	2P BANANA PLUG FOR CDS6U/CDTTU SERIES	77.00	1	EA	25	A
SCA 2.5	ACTUATOR FOR 5mm WIDE SPRING CLAMP TB	33.00	1	EA	10	A
SCM0.4/2.5	0.4X2.5mm SCREWDRIVER FOR SPRING CLAMP	256.80	1	EA	10	A
SCM0.5/3	0.5X3mm SCREWDRIVER FOR SPRING CLAMP	271.20	1	EA	10	A
SCM0.8/4	0.8X4mm SCREWDRIVER FOR SPRING CLAMP	319.20	1	EA	10	A
SCM1/5.5	1X5.5mm SCREWDRIVER FOR SPRING CLAMP	400.80	1	EA	10	A
SCNT6	SIZE 6 NUT DRIVER	540.00	1	EA	10	A
SCPH1	PHILLIPS NO.1 SCREW DRIVER	282.00	1	EA	10	A
SCPH2	PHILLIPS NO.2 SCREW DRIVER	372.00	1	EA	10	A
SCPH2I	PHILLIPS NO.2 INSULATED SCREW DRIVER	408.00	1	EA	10	A
SCS0.5/3	0.5X3mm SCREW DRIVER FOR SLOTTED SCREWS	216.00	1	EA	10	A
SCS0.5/3I	0.5X3mm INSU SCREW DRIVR FR SLTTD SCREW	300.00	1	EA	10	A
SCS0.6/3.5	0.6X3.5mm SCREW DRIVER FR SLTTED SCREWS	240.00	1	EA	10	A
SCS0.6/3.5I	0.6X3.5mm INSU SCREW DRVR FR SLTTD SCREW	300.00	1	EA	10	A
SCS0.8/4	0.8X4mm SCREW DRIVER FOR SLOTTED SCREWS	300.00	1	EA	10	A
SCS0.8/4I	0.8X4mm INSU SCREW DRIVER FR SLTTD SCREW	330.00	1	EA	10	A
SCS1/5.5	1X5.5mm SCREW DRIVER FOR SLOTTED SCREWS	384.00	1	EA	10	A
SCS1/5.5I	1X5.5mm INSU SCREW DRIVER FR SLTTD SCREW	408.00	1	EA	10	A
SLS2	2POLE CT SHORTING LINK FOR CDS6U SERIES	25.30	1	EA	50	B
SLS3	3POLE CT SHORTING LINK FOR CDS6U SERIES	38.00	1	EA	25	B
SLS4	4POLE CT SHORTING LINK FOR CDS6U SERIES	50.60	1	EA	25	B
SP2.5/4UN	SEPARATOR PLATE FOR CTS2.5UN/4UN	3.60	1	EA	100	B
SP6/10U	SEPARATOR PLATE FOR CTS6U/10U/16U	3.60	1	EA	100	B
SPCDL4U	SEP PLT FR CDL4U GRY	3.70	1	EA	100	B
SPCMB4	SEPARATOR PLATE FOR CMB4	3.60	1	EA	50	B
SPCP8L32	SEPARATOR PLATE FOR CP8L32	49.50	1	EA	10	A
STH3	6 mm <sup>2</sup> M3 CAPTIVE NUT STUD TYPE TERMINAL	33.00	1	EA	100	B
STH3BK	6 mm <sup>2</sup> M3 CAPTIV NUT STUD TYPE TB BLK	36.30	1	EA	100	B
STH3BU	6 mm <sup>2</sup> M3 CAPTIV NUT STUD TYP TB BLU	36.30	1	EA	100	B
STH3GN	6 mm <sup>2</sup> M3 CAPTIV NUT STD TYPE TB GRN	36.30	1	EA	100	B
STH3R	6 mm <sup>2</sup> M3 CAPTIV NUT STUD TYPE TB RED	36.30	1	EA	100	B



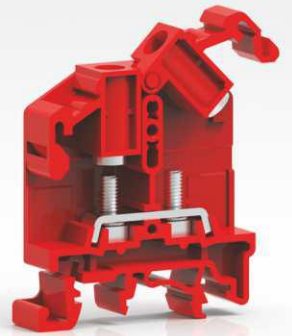
**Terms & Conditions:**

Price	Ex Works Dombivli, excluding freight, taxes etc.
Packing & Forwarding	Included in the prices
GST	Extra as applicable at the time of despatch
Freight	To be borne by the customer
Insurance	Goods will be dispatched duly insured
Shortage / Loss in Transit	Shortage, damage or loss in transit, if any, should be intimated to us within 24 hours of the time of receipt of consignment. Necessary certificate from the transporter / railways should be forwarded to us.
Place of Jurisdiction	Mumbai, India
Note	Standard Colour for Polyamide 66 Terminal Blocks is Grey. Standard Colour for Melamine Terminal Blocks is Khaki. Pre Assembled Terminal Block as per customer's drawing complete with marking tags, interconnecting and mounting accessories can be supplied on quote basis. This price list supersedes all our earlier price lists and is subject to revision without prior intimation. MKT/8.2/05

---

# Mundhra Brothers

**Mundhra Brothers**



# Mundhra Brothers

CONNECTWELL INDUSTRIES PVT. LTD.

D-7, Phase 2, M.I.D.C., Dombivli - 421 204, India

---

Tel. No.: +91 251 7120 600 / +91 251 6762 600

connect@connectwell.com | www.connectwell.com