

ENCLOSURES



PRICE LIST

Effective : 22nd May 2024



BCH

BCH
ELECTRIC
LIMITED

Modern facilities at Faridabad & Rudrapur



Our Strengths

- ◆ State-of-the-art product development and R&D
- ◆ Modern manufacturing facilities
- ◆ Tool room with latest facilities
- ◆ Serving customers for five decades
- ◆ Presence in ~50 locations
- ◆ 650 channel partners
- ◆ ISO 14001:2015 and ISO 9001:2015 certified company

Core Values

- ◆ Integrity
- ◆ Nurturing People
- ◆ Commitment to Customers
- ◆ Striving for Excellence
- ◆ Long Term Thinking

Quality Policy

We as a member of BCH Electric Limited manufacturer of Low Voltage Switchgear & Controlgear products, are fully committed to provide Quality products and service in compliance with applicable Statutory and Regulatory requirements, to meet or exceed the customer need and expectations through -

- ◆ Continual improvement
- ◆ Involvement of employees
- ◆ Setting Quality objectives
- ◆ Training and development of employees

Health & Safety Policy

We as a member of BCH Electric Limited manufacturer of Low Voltage Switchgear & Controlgear products, are fully committed to conduct Business in compliance to applicable Health & Safety legislation and regulation.

We shall continually improve through -

- ◆ Provide Safe & Healthy working conditions for the prevention of work related injury and ill health.
- ◆ Develop & maintain the Health & Safety objectives & targets and conduct health & safety programs for achieving the objectives and target.
- ◆ The prevention of accidents through the identification, assessment and elimination of workplace hazards and the promotion of health & safety awareness among its employees and contractors.
- ◆ Encourage employee's participation and consultation in matters affecting the health, safety and well being of our people and seek suggestions from our employees of ways in which health, safety & well being can be furthered.

The Health & safety policy is publicly available on request.

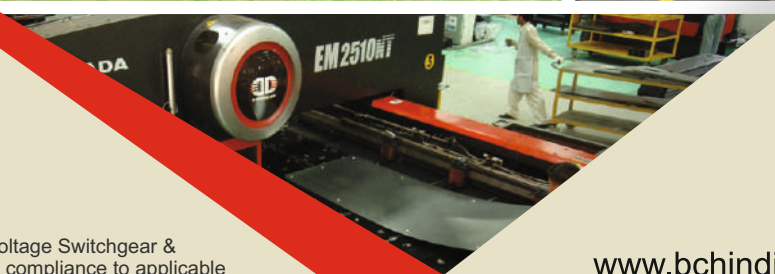
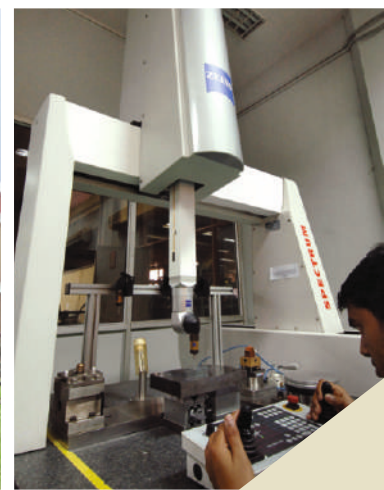
Environmental Policy

We as a member of BCH Electric Limited manufacturer of Low Voltage Switchgear & Controlgear products, are fully committed to conduct Business in compliance to applicable Environmental legislation and regulation.

We shall continually improve through -

- ◆ Provide a framework for setting and reviewing environmental objectives and targets.
- ◆ Regularly review the impact of our activities on environment and strive to reduce the pollution/waste.
- ◆ Involve employees in our environmental program and provide necessary training to enable them to discharge their responsibilities towards environment management.
- ◆ Sustain the program of continual improvement in environment in environmental performance incorporating suitable metrics and monitoring.

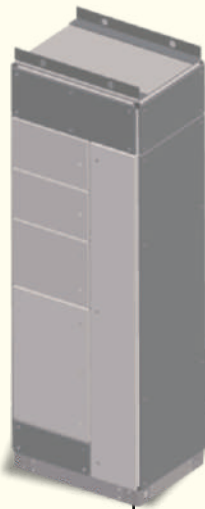
The Environment policy is publicly available on request.



www.bchindia.com

Enclosure Systems

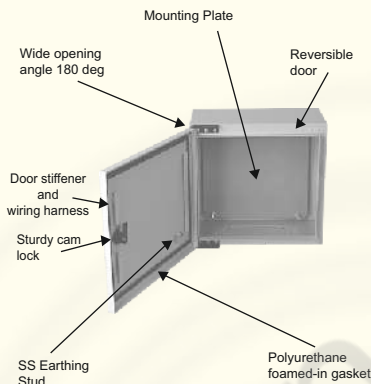
- Bhartia Boxes IP: 55, IP: 66
- 'BCH-SS' (Stainless Steel) Boxes
- Terminal Boxes IP:55 & IP:66
- Techno - Modular Enclosures
- TCE Series Enclosure
- Compartmentalized Enclosure (Fixed & Draw-out)
- IT Racks - 19" and ETSI Racks





- 51 Different Versions
- Single/Double door versions
- Min. Size : 200 X 200 X 150
- Max Size : 1200 X 1400 X 400
- Degree of protection IP55/IP66/IK10
- CE Certified

Double door version



Technical Particulars (BHARTIA BOXES)

- Fabricated from 1.2mm / 1.6mm CRCA sheet steel (Sizes upto BIL-50180 made from 1.2mm CRCA, beyond this using 1.6mm CRCA)
- Foamed-in PU gasket
- Hinged door, interchangeable LHS / RHS, opening angle 180 deg for standard hinge & 120 deg for concealed hinge in bigger sizes.
- Degree of protection IP55/IP66/IK10
- CE Certified
- Cable gland plate 2mm thick provided at bottom
- Cam locking arrangement
- Powder coated to RAL : 7035 structure finish
- Mounting Plate made up of 2.0mm Galvanised steel

Note : Cutout charges will be extra
: Wall mounting bracket set is an additional accessory
(for Bhartia Box & Terminal box it is not a part of standard packing)

HSN Code : 8538

Type	Cat. No.	MOQ	List Price [₹]
Set of Wall Mounting bracket (small)	BIL-WM-S	1	190
Set of Wall Mounting bracket (big)	BIL-WM-B	1	215
Set of Wall Mounting bracket Kit 20mm	BIL-WM-H20	1	320

Note :

- * Set of wall mounting bracket (small) is suitable for all range of terminal boxes and Bhartia boxes upto size : 400x500x200mm.
- * Set of wall mounting bracket (big) is suitable for Bhartia boxes beyond size : 400x500x200mm.

Effective from 22.05.2024

Bhartia Boxes

HSN Code : 8538

Type	Size (WxHxD) mm	IP-55 Range			IP-66 Range	
		Nos.	Cat. No.	List Price [₹]	Cat. No.	List Price [₹]
SINGLE DOOR BOX	200x200x150	1	BIL-50000	3160	BIL-60000	3320
SINGLE DOOR BOX	200x300x150	1	BIL-50010	3615	BIL-60010	3690
SINGLE DOOR BOX	250x300x150	1	BIL-50020	3755	BIL-60020	3875
SINGLE DOOR BOX	300x300x150	1	BIL-50030	4050	BIL-60030	4210
SINGLE DOOR BOX	300x300x200	1	BIL-50050	4315	BIL-60050	4570
SINGLE DOOR BOX	300x400x150	1	BIL-50060	4500	BIL-60060	4740
SINGLE DOOR BOX	300x400x200	1	BIL-50080	5050	BIL-60080	5080
SINGLE DOOR BOX	400x300x150	1	BIL-50090	4410	BIL-60090	4675
SINGLE DOOR BOX	400x300x200	1	BIL-50110	4945	BIL-60110	5020
SINGLE DOOR BOX	400x400x150	1	BIL-50120	5050	BIL-60120	5145
SINGLE DOOR BOX	400x400x200	1	BIL-50140	5350	BIL-60140	5515
SINGLE DOOR BOX	400x500x150	1	BIL-50150	5700	BIL-60150	6000
SINGLE DOOR BOX	400x500x200	1	BIL-50170	6040	BIL-60170	6210
SINGLE DOOR BOX	500x500x200	1	BIL-50180	7120		
SINGLE DOOR BOX	400x600x200	1	BIL-50190	7120	BIL-60190	7220
SINGLE DOOR BOX	500x600x200	1	BIL-50210	8170	BIL-60210	8415
SINGLE DOOR BOX	500x700x200	1	BIL-50220	9285		
SINGLE DOOR BOX	500x700x300	1	BIL-50230	10685		
SINGLE DOOR BOX	600x400x200	1	BIL-50240	7255	BIL-60240	7525
SINGLE DOOR BOX	600x400x300	1	BIL-50250	9325		
SINGLE DOOR BOX	600x500x200	1	BIL-50260	8415	BIL-60260	9095
SINGLE DOOR BOX	600x600x200	1	BIL-50270	8755		
SINGLE DOOR BOX	600x600x300	1	BIL-50280	10525		
SINGLE DOOR BOX	600x700x200	1	BIL-50290	10550		
SINGLE DOOR BOX	600x800x200	1	BIL-50300	10580		
SINGLE DOOR BOX	600x800x300	1	BIL-50320	12105		
SINGLE DOOR BOX	600x1000x200	1	BIL-50330	13340		
SINGLE DOOR BOX	600x1000x300	1	BIL-50340	15135		
SINGLE DOOR BOX	800x800x300	1	BIL-50310	14120		
SINGLE DOOR BOX	800x1000x200	1	BIL-50350	15720		
SINGLE DOOR BOX	800x1000x250	1	BIL-50360	16050		
SINGLE DOOR BOX	800x1000x300	1	BIL-50390	16240		
SINGLE DOOR BOX	800x1200x300	1	BIL-50395	20235		
DOUBLE DOOR BOX	1000x800x200	1	BIL-50500	16970		
DOUBLE DOOR BOX	1000x800x300	1	BIL-50520	19460		
DOUBLE DOOR BOX	1000x1000x300	1	BIL-50540	22630		
DOUBLE DOOR BOX	1000x1200x300	1	BIL-50550	26015		
DOUBLE DOOR BOX	1000x1400x300	1	BIL-50560	31115		
DOUBLE DOOR BOX	1200x1400x300	1	BIL-50570	34595		
DOUBLE DOOR BOX	1000x1400x400	1	BIL-50580	32810		
DOUBLE DOOR BOX	1200x1400x400	1	BIL-50590	36110		

MOQ. Minimum order quantity in nos.

Canopy for Bhartia Boxes

HSN Code : 8538

Size (WxHxD) mm	Cat. No.	MOQ Nos.	List Price [₹]	Size (WxHxD) mm	Cat. No.	MOQ Nos.	List Price [₹]
200WX150D	BIL-12-CAN-2015	1	825	600WX200D	BIL-16-CAN-6020	1	1590
250WX150D	BIL-12-CAN-2515	1	940	600WX300D	BIL-16-CAN-6030	1	1950
300WX150D	BIL-12-CAN-3015	1	1005	800WX300D	BIL-16-CAN-8030	1	2380
300WX200D	BIL-12-CAN-3020	1	1095	800WX200D	BIL-16-CAN-8020	1	1930
400WX150D	BIL-12-CAN-4015	1	1140	800WX250D	BIL-16-CAN-8025	1	2085
400WX200D	BIL-12-CAN-4020	1	1260	1000WX200D	BIL-16-CAN-1020	1	2265
500WX200D	BIL-12-CAN-5020	1	1425	1000WX300D	BIL-16-CAN-1030	1	2790
500WX300D	BIL-12-CAN-5030	1	1750				

*List Prices are Ex-works Faridabad. For detail refer Enclosure Selling Terms & Conditions.

***GST to be charged extra**

www.bchindia.com





- Fabricated from 1.2/1.5 mm stainless steel sheet
- Mounting Plate made up of 2.0mm Galvanised steel
- SS grade 304
- Foamed - in PU gasket
- Box upto BIL - 90405020 is made up of 1.2 mm SS & above of 1.5 MM SS.
- Degree of protection IP66
- 120 deg door open-able concealed hinge door with cam locking arrangement.

'BCH - SS' (Stainless Steel)

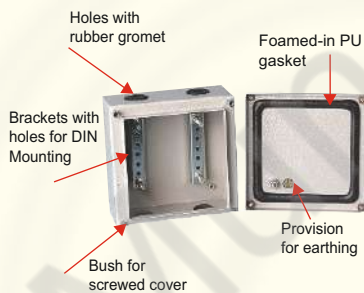
HSN Code : 8538

Type	Size (WxHxD) mm	MOQ Nos.	Cat No.	List Price [₹]
SINGLE DOOR BOX	200X300X150	3	BIL-90203015	7260
SINGLE DOOR BOX	300X300X200	3	BIL-90303020	10055
SINGLE DOOR BOX	400X400X200	3	BIL-90404020	13305
SINGLE DOOR BOX	400X500X200	3	BIL-90405020	14820
SINGLE DOOR BOX	400X600X200	3	BIL-90406020	16990
SINGLE DOOR BOX	500X600X200	3	BIL-90506020	21760
SINGLE DOOR BOX	600X600X200	3	BIL-90606020	23275
SINGLE DOOR BOX	600X800X200	3	BIL-90608020	27665
SINGLE DOOR BOX	500X700X300	3	BIL-90507030	28100
SINGLE DOOR BOX	800X800X300	3	BIL-90808030	38690

MOQ - Minimum order quantity in nos.
Note - SS grade 304



- 43 Different Versions
- Min. Size : 150 X 150 X 80
- Max Size : 800 X 400 X 120
- Degree of protection IP55/IP66/IK10
- CE Certified



Technical Particulars (TERMINAL BOXES)

- Fabricated from 1.2mm CRCA sheet steel
- Powder coated to shade RAL 7035 Structure finish
- Foamed-in PU gasket
- Provided with screwed cover on top
- Degree of protection IP55/IP66/IK10
- CE Certified
- Brackets provided inside to facilitate DIN rail mounting
- Holes with Gromet provided to facilitate cable entry in IP 55 terminal boxes

Note: Cutout charges will be extra

Terminal Boxes

HSN Code : 8538

Box Size (W x H x D)	IP-55 Range			IP-66 Range	
	MOQ	Cat. No.	List Price [₹]	Cat. No.	List Price [₹]
150x150x80	5	BIL-70000	1570	BIL-80000	1615
200x150x80	-			BIL-80100	1785
300x150x80	5	BIL-70010	1845	BIL-80010	2060
200x200x80	5	BIL-70020	1765	BIL-80020	1875
300x200x80	5	BIL-70030	1930	BIL-80030	2005
400x200x80	-			BIL-80110	2140
600x200x80	-			BIL-80130	2915
150x150x120	5	BIL-70040	1735	BIL-80040	1845
200x150x120	-			BIL-80150	1910
300x150x120	5	BIL-70050	2060	BIL-80050	2100
200x200x120	5	BIL-70060	2005	BIL-80060	2060
300x200x120	5	BIL-70070	2235	BIL-80070	2285
400x200x120	5	BIL-70080	2505	BIL-80080	2595
300x300x120	5	BIL-70090	2670	BIL-80090	2770
400x150x120	-			BIL-80170	2475
400x300x120	5	BIL-70180	2955	BIL-80180	3320
400x400x120	5	BIL-70190	3475	BIL-80190	3755
500x200x120	5	BIL-70200	3045	BIL-80200	3255
500x300x120	5	BIL-70210	3385	BIL-80210	3585
600x200x120	5	BIL-70220	3405	BIL-80220	3595
600x300x120	5	BIL-70230	4165	BIL-80230	4335
600x400x120	5	BIL-70240	4570	BIL-80240	4720
800x200x120	5	BIL-70250	4815	BIL-80250	4975
800x400x120	5	BIL-70260	5860	BIL-80260	5975

MOQ-Minimum order quantity in nos.

*List Prices are Ex-works Faridabad. For detail refer Enclosure Selling Terms & Conditions.

***GST to be charged extra**



Techno Modular Enclosures

HSN Code : 8538

Size of Enclosure (W x H x D in mm)	Cat. No.	Enclosure Version*				Plinth		Side Covers (Pair)	
		Ver 001 LP [₹]	Ver 002 LP [₹]	Ver 003 LP [₹]	Ver 004 LP [₹]	Cat. No.	List Price [₹]	Cat. No.	List Price [₹]
600 x 1800 x 400	TME 061804	30625	34110	24320	28075	TPL 061804	2970	TSC 061804	5930
800 x 1800 x 400	TME 081804	36585	40145	27810	32150	TPL 081804	3385	TSC 081804	5930
1000 x 1800 x 400	TME 101804	50350	54265	39045	42710	TPL 101804	3795	TSC 101804	5930
1200 x 1800 x 400	TME 121804	56570	63200	43900	48655	TPL 121804	4165	TSC 121804	5930
600 x 1800 x 500	TME 061805	31990	35215	25950	29170	TPL 061805	3180	TSC 061805	6890
800 x 1800 x 500	TME 081805	37250	41940	29780	33340	TPL 081805	3585	TSC 081805	6890
1000 x 1800 x 500	TME 101805	51720	55630	40745	44925	TPL 101805	3990	TSC 101805	6890
1200 x 1800 x 500	TME 121805	57665	65510	46185	51895	TPL 121805	4340	TSC 121805	6890
800 x 1800 x 600	TME 081806	39710	41695	32330	35385	TPL 081806	3740	TSC 081806	7665
600 x 2000 x 400	TME 062004	33010	37090	25350	30125	TPL 062004	2970	TSC 062004	6380
800 x 2000 x 400	TME 082004	38410	42195	29355	33325	TPL 082004	3385	TSC 082004	6380
1000 x 2000 x 400	TME 102004	55025	58095	42790	45755	TPL 102004	3795	TSC 102004	6380
1200 x 2000 x 400	TME 122004	59115	65335	47300	53600	TPL 122004	4165	TSC 122004	6380
600 x 2000 x 500	TME 062005	35040	37935	28750	32500	TPL 062005	3180	TSC 062005	7490
800 x 2000 x 500	TME 082005	39305	43390	30290	34540	TPL 082005	3585	TSC 082005	7490
1000 x 2000 x 500	TME 102005	54440	60910	43390	48145	TPL 102005	3990	TSC 102005	7490
1200 x 2000 x 500	TME 122005	59525	65510	46785	51895	TPL 122005	4340	TSC 122005	7490
600 x 2000 x 600	TME 062006	35545	39045	30450	33950	TPL 062006	3355	TSC 062006	8335
800 x 2000 x 600	TME 082006	40665	44315	32655	36315	TPL 082006	3740	TSC 082006	8335
1000 x 2000 x 600	TME 102006	55295	63450	44060	51365	TPL 102006	4140	TSC 102006	8335
1200 x 2000 x 600	TME 122006	60700	67290	49150	55460	TPL 122006	4520	TSC 122006	8335
600 x 2000 x 800	TME 062008	36585	39305	30540	34355	TPL 062008	3740	TSC 062008	10715
800 x 2000 x 800	TME 082008	42355	45505	34615	37905	TPL 082008	4140	TSC 082008	10715
1000 x 2000 x 800	TME 102008	60700	64735	46785	51895	TPL 102008	4465	TSC 102008	10715
1200 x 2000 x 800	TME 122008	63805	70760	52410	57665	TPL 122008	4920	TSC 122008	10715
600 x 2200 x 600	TME 062206	40065	43900	31820	37760	TPL 062206	3355	TSC 062206	9655
800 x 2200 x 600	TME 082206	45345	48320	36490	40230	TPL 082206	3740	TSC 082206	9655
1000 x 2200 x 600	TME 102206	62780	67615	51585	56425	TPL 102206	4140	TSC 102206	9655
1200 x 2200 x 600	TME 122206	65235	72815	50705	56650	TPL 122206	4520	TSC 122206	9655
600 x 2200 x 800	TME 062208	43695	47395	33520	38705	TPL 062208	3740	TSC 062208	12540
800 x 2200 x 800	TME 082208	52735	55810	40505	44060	TPL 082208	4140	TSC 082208	12540
1000 x 2200 x 800	TME 102208	66850	72030	54265	58360	TPL 102208	4465	TSC 102208	12540
1200 x 2200 x 800	TME 122208	72305	76380	59205	63200	TPL 122208	4920	TSC 122208	12540

*Baying kit (BIL-14280) Rs. 2005/- is also available for Enclosure Version. For extra accessories, please contact nearest branch office.

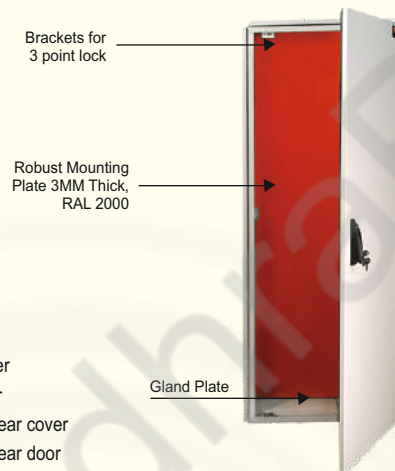
MOQ-Minimum order quantity in nos.

Note : Cutout charges will be extra

Freight charges will be extra at actuals

*List Prices are Ex-works Faridabad. For detail refer Enclosure Selling Terms & Conditions.

***GST to be charged extra**



Enclosure Versions

- 001 - with mounting plate and rear cover
- 002 - with mounting plate and rear door
- 003 - without mounting plate and with rear cover
- 004 - without mounting plate and with rear door

To Order And Calculate List Price

- (a) Choose Cat. No. and LP of Enclosure version from 001, 002, 003 or 004
- (b) Add Cat. No. and LP of Plinth
- (c) Add Cat. No. and LP of Side Covers pair

General Technical Particulars

- Degree of protection IP55/IK10
- C E Certified
- Fabricated from 2/1.6 mm CRCA/GPSP (frame made up of 2.0mm GPSP, doors & covers made up of 1.6 mm CRCA).
- Fully bolted construction
- Mounting Plate with sliding arrangement - standard & Powder coated to RAL-2000
- Modular Plinth (optional) 100mm high fabricated from CRCA
- Cable entry provision is given from Bottom & made in 3-part construction with Galvanized steel [Unpainted]
- Foamed-in PU gasket
- Powder coated to RAL : 7035 structure finish
- Hinge design allows 120 deg. Door opening
- 3 point lock provided as standard
- Door stiffener with provision of drilling holes for wiring harness.
- Side Covers - Pair : consisting of 1no. LHS and 1no. RHS cover
- To calculate limiting dimension of the enclosure, add 44mm to the width to account for Side Covers,
- 22mm to the height for Top Cover & 44mm to the depth on account of Front and Rear door / cover.

Note : upto 800 mm width single door
1000 mm & 1200 mm width double leaf door

Modular Enclosures

- Enclosures
- Minimum size in mm :
600 x 1800 x 400 (W x H x D)
- Maximum size in mm :
1200 x 2200 x 800 (W x H x D)
- Degree of protection IP55/IK10
- C E Certified
- Wide range of accessories

Features

- Completely modular in all the three axis
- Powder coated surface (RAL 7035) for excellent finish and durability
- PU Gasket ensuring higher degree of ingress protection
- 3mm mounting plate as a standard
- Manufactured on CNC Turret punch press for higher precision, finish and repeated accuracy
- Ideal for :
 - Special purpose machines
 - Control panels
 - Drives
 - Starter enclosures
 - Accessories for mounting 19" equipment

TCE Series Enclosure Code Selection |

Example:-

TCE	06	18	05	-	001
-----	----	----	----	---	-----

TCE Series of Enclosure

Width

Height

Depth

Version

Sizes Available |

Width	Height	Depth
06-600 W	18-1800 H	04-400 D
08-800 W	20-2000 H	05-500 D
10-1000 W	22-2200 H	06-600 D
12-1200 W		08-800 D

Version Details |

001	002	003	004	005
Structure:	Structure:	Structure:	Structure:	Structure:
Front Door with Hinge	Front Door with Hinge	Front Door with Hinge	Front Door with Hinge	Front Door with Hinge
Rear Bolted Cover	Rear Door with Hinge	Rear Bolted Cover	Rear Door with Hinge	Rear Door with Hinge
STD Gland Plate	STD Gland Plate	STD Gland Plate	STD Gland Plate	STD Gland Plate
Top Cover	Top Cover	Top Cover	Top Cover	Top Cover
Eye Bolt	Eye Bolt	Eye Bolt	Eye Bolt	Eye Bolt
01 Mounting Plate	01 Mounting Plate	No Mounting Plate	No Mounting Plate	2 Mounting Plate

*List Prices are Ex-works Faridabad. For detail refer Enclosure Selling Terms & Conditions.

***GST to be charged extra**

Technical Particulars for TCE Series

- IP66-IK10 for single door enclosure
- IP65-IK10 for double door enclosure
- Structure made up with 2.0mm CRCA
- Door made up with 2.0mm CRCA and covers made up with 1.6mm CRCA
- Bottom 3-part cable entry provision as standard and made up with 2.0mm GPSP
- Mounting plate with sliding arrangement and made up with 3.0mm CRCA.
- Push fit Die casted hinge provided at doors.
- Door with Interchangeability features (LHS/RHS)
- 4-point locking provides as standards
- Separate locking at LHS door with swing handle
- Door stiffener with provision of drilling holes for wiring harness.
- Eye bolt as standard for lifting
- Modular Plinth (optional) 100mm Height with Black finish
- Side Covers – Pair consisting of 1no. LHS and 1no. RHS cover
- Surface finish to enclosure RAL-7035 and Mounting plate RAL-2000



Note: up to 800 mm width single door
1000 mm & 1200 mm width double door

IK10

IP66 | IP65

CE



*List Prices are Ex-works Faridabad. For detail refer Enclosure Selling Terms & Conditions.

***GST to be charged extra**

www.bchindia.com

TCE Series Enclosure



HSN Code: 8538

Size of Enclosure in mm			Cat No.	Enclosure Version*				
Width (H)	Height (H)	Depth (D)		VER-001 LP [₹]	VER-002 LP [₹]	VER-003 LP [₹]	VER-004 LP [₹]	VER-005 LP [₹]
600	1800	400	TCE061804	32805	36545	26055	30090	
800	1800	400	TCE081804	39190	43005	29795	34445	
1000	1800	400	TCE101804	53945	58135	41835	45755	
1200	1800	400	TCE121804	60620	67710	47025	52125	
600	1800	500	TCE061805	34280	37730	27805	31250	
800	1800	500	TCE081805	39910	44935	31900	35720	
1000	1800	500	TCE101805	55400	59615	43645	48120	
1200	1800	500	TCE121805	61775	70185	49480	55595	
800	1800	600	TCE081806	42555	44650	34630	37910	51880
800	1800	800	TCE081808	44405	48855	36935	41370	59265
600	2000	400	TCE062004	35360	39755	27155	32260	
800	2000	400	TCE082004	41165	45200	31450	35705	
1000	2000	400	TCE102004	58945	62245	45835	49020	
1200	2000	400	TCE122004	63320	69990	50670	57430	
600	2000	500	TCE062005	37530	40645	30805	34815	
800	2000	500	TCE082005	42105	46480	32445	36995	
1000	2000	500	TCE102005	58320	65260	46480	51575	
1200	2000	500	TCE122005	63770	70185	50130	55595	
600	2000	600	TCE062006	38090	41835	32620	36370	50340
800	2000	600	TCE082006	43565	47470	34980	38900	56345
1000	2000	600	TCE102006	59250	67980	47190	55020	82425
1200	2000	600	TCE122006	65030	72100	52665	59415	87535
600	2000	800	TCE062008	39190	42105	32730	36815	54845
800	2000	800	TCE082008	45380	48740	37085	40610	59355
1000	2000	800	TCE102008	65030	69340	50130	55595	80990
1200	2000	800	TCE122008	68360	75825	56155	61775	90465
600	2200	600	TCE062206	42925	47025	34080	40455	56345
800	2200	600	TCE082206	48580	51765	39105	43110	60410
1000	2200	600	TCE102206	67260	72445	55270	60450	84670
1200	2200	600	TCE122206	69890	78020	54315	60690	97040
600	2200	800	TCE062208	46805	50775	35910	41460	54030
800	2200	800	TCE082208	56500	59790	43380	47190	65365
1000	2200	800	TCE102208	71630	77180	58135	62525	89940
1200	2200	800	TCE122208	77475	81840	63440	67710	101430

*List Prices are Ex-works Faridabad. For detail refer Enclosure Selling Terms & Conditions.

***GST to be charged extra**



TCE Bottom Plinth 100mm Height

HSN Code: 8538

Size in MM		Cat No	LP [₹]
Width (H)	Depth (D)		
600	400	TCEPL0604	2950
800	400	TCEPL0804	3370
1000	400	TCEPL1004	3770
1200	400	TCEPL1204	4130
600	500	TCEPL0605	3160
800	500	TCEPL0805	3545
1000	500	TCEPL1005	3960
1200	500	TCEPL1205	4310
600	600	TCEPL0606	3340
800	600	TCEPL0806	3710
1000	600	TCEPL1006	4100
1200	600	TCEPL1206	4475
600	800	TCEPL0608	3710
800	800	TCEPL0808	4100
1000	800	TCEPL1008	4435
1200	800	TCEPL1208	4870



TCE Side Panel

HSN Code: 8538

Size in MM		Cat No	LP [₹]
Height (H)	Depth (D)		
1800	400	TCESP0418	5890
1800	500	TCESP0518	6840
1800	600	TCESP0618	7610
1800	800	TCESP0818	10145
2000	400	TCESP0420	6325
2000	500	TCESP0520	7440
2000	600	TCESP0620	8265
2000	800	TCESP0820	10640
2200	600	TCESP0622	9575
2200	800	TCESP0822	12445

MOQ-Minimum order quantity in nos.

Note: Cutout charges will be extra

Freight charges will be extra at actuals

*List Prices are Ex-works Faridabad. For detail refer Enclosure Selling Terms & Conditions.
*GST to be charged extra

www.bchindia.com

TCE Series Enclosure Accessories

Baying system

HSN Code: 8538

Sl. No	Description	Cat No	LP [₹]
1	Baying Kit	TCE-14280	2185
2	Combination Angle (Pack of 2)	TCE-14281	1145

Mounting plate filler profile

HSN Code: 8538

Sl. No	Description	Cat No	LP [₹]
1	Filler plate for 1800mm Height	TCE-FP-1800	1660
2	Filler plate for 2000mm Height	TCE-FP-2000	1830
3	Filler plate for 2200mm Height	TCE-FP-2200	2005

Wiring plan pocket

HSN Code: 8538

Sl. No	Description	Cat No	LP [₹]
1	File pocket 500mm Width	TCE-TPKT-500	805
2	File pocket 600mm Width	TCE-TPKT-600	970
3	File pocket 800mm Width	TCE-TPKT-800	1260

Lamp rail

HSN Code: 8538

Sl. No	Description	Cat No	LP [₹]
1	Lamp rail 600mm Width	TCE-LAMP-RAIL-600	230
2	Lamp rail 800mm Width	TCE-LAMP-RAIL-800	310
3	Lamp rail 1000mm Width	TCE-LAMP-RAIL-1000	390
4	Lamp rail 1200mm Width	TCE-LAMP-RAIL-1200	475

Limit switch with fixing arrangement

HSN Code: 8538

Sl. No	Description	Cat No	LP [₹]
1	BCH Limit switch	TCE-LC	970

Punched section for depth

HSN Code: 8538

Sl. No	Description	Cat No	LP [₹]
1	Punched section 400mm depth	TCE-PSD-400	570
2	Punched section 500mm depth	TCE-PSD-500	805
3	Punched section 600mm depth	TCE-PSD-600	1035
4	Punched section 800mm depth	TCE-PSD-800	1380

Punched section for width

HSN Code: 8538

Sl. No	Description	Cat No	LP [₹]
1	Punched section 600mm width	TCE-PSW-600	1145
2	Punched section 800mm width	TCE-PSW-800	1380
3	Punched section 1000mm width	TCE-PSW-1000	1605
4	Punched section 1200mm width	TCE-PSW-1200	1830

Air Filter Unit

HSN Code: 8538

Sl. No	Description	Cat No	LP [₹]
1	Snap fit air filter 148x148	BIL-SF-1414	900
2	Snap fit air filter 204x204	BIL-SF-2020	1350
3	Snap fit air filter 255x255	BIL-SF-2525	1500
4	Snap fit air filter 204x204 with mounting adaptor	BIL-SFMA-2020	1580
5	Snap fit air filter 255x255 with mounting adaptor	BIL-SFMA-2525	1980

Door Stay

HSN Code: 8538

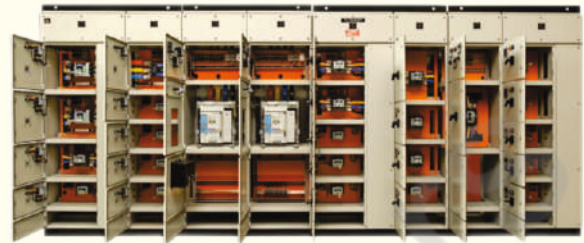
Sl. No	Description	Cat No	LP [₹]
1	Door Stay for TCE Series	TCE-DS	1250

*GST to be charged extra *List Prices are Ex-works Faridabad. For detail refer Enclosure Selling Terms & Conditions.

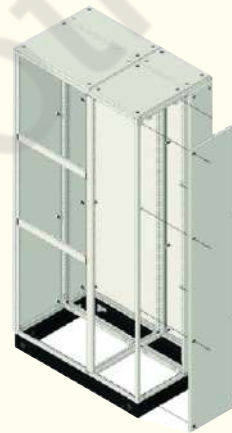
Effective from 22.05.2024

www.bchindia.com

Highlights of **BCH** Compartmentalized **MCC / PCC / PMCC** Solution (Fixed & Drawed Type)



- 100% Modular Structure; can be dispatched in flat pack.
- Flexible compartmentalized -up to From 4.
- IP 54 degree of protection with polyurethane foam gasket.
- Compartment size available from 200mm height & multiplies of 100mm.
- Additional accessories like Cable support, Busbar support, Limit Switch and Lamp brackets are available.
- Adjustable mounting plates (Depth wise at the pitch of 25mm).
- Panel can be expended in all 3 dimensions and bayed together by using Baying Kit.
- All Structure members (Corner & Cross bar) having M6 extrude hole at 25mm intervals, No need of any Captive hardware.
- Standard Module dimension for Drawout Enclosures.
 - ▷ Single Front :- 900(W) x 2400(H) x 600(D)
 - ▷ Double Front :- 900(W) x 2400(H) x 1200(D)
- Draw-out feeder available from 200mm height (2SU) to 800mm height (8SU).
- Colours :- RAL-7035 (Structure finish) for structure, doors, covers & internal parts RAL-2000 (smooth finish) for Mounting plates, Ral-9000 (Smooth Finish) for Plinth.
- Sheet thickness 2.0mm GPSP for structure, 2.0mm CRCA for Mounting Plate & Mounting rail, 1.6mm CRCA for Doors & Covers, 1.2mm CRCA for Separation plates.



BCH Control Desk





Key Attributes:

- Aesthetic & robust construction
- Mounting Fan /s in top doesn't take usable "U" space.
- Special type of Wallmounting hardware.
- Provision for earthing available in the cabinets.
- Highly corrosion resistant in nature.
- Power coated to shade RAL : 7035 structure finish.



Key Attributes:

- Floor mounting robust design.
- Lockable & removable side panels.
- 2-pairs of adjustable 19" rails.
- Front door with toughened glass & perforation.
- High load bearing capacity.
- Rear vented door.
- Provision for fan mounting in top which doesn't take usable "U" Space.
- Superior cable management facility in extra wide racks.
- 4-integrated vertical cable managers are default design of 800mm wide racks.
- Rear space saving split door with 3-point secure locking in extra wide (800mm) racks.
- Power coated to shade RAL : 7035 structure finish.

19" Wall Mount Racks

HSN Code : 8538

Dimensions (H x W x D) mm	MOQ Nos.	Cat. No.	List Price [₹]
6UX550X400	1	BIL-W-6-5504	5670
9UX550X400	1	BIL-W-9-5504	6840
6UX550X500	1	BIL-W-6-5505	6260
9UX550X500	1	BIL-W-9-5505	7300
12UX550X500	1	BIL-W-12-5505	8105
15UX550X500	1	BIL-W-15-5505	9540

MOQ-Minimum order quantity in nos.

Standard Configuration: Wallmount cabinet, 2-Pairs of 19" rail.

Notes : Accessories viz. Shelves, Fans, power strips, cable managers captive H/W & wall mounting hardware etc. will be extra as per the accessories list furnished in the price list.
Wall mount racks price do not include freight & will be extra at actuals

19" Networking Racks

HSN Code : 8538

Dimensions (H x W x D) mm	MOQ Nos.	Cat. No.	List Price [₹]
24U X 600 X 600	1	BIL-N-062406	31725
24U X 600 X 800	1	BIL-N-062408	35075
24U X 800 X 600	1	BIL-N-082406	39755
24U X 800 X 800	1	BIL-N-082408	43445
30U X 600 X 600	1	BIL-N-063006	35075
30U X 600 X 800	1	BIL-N-063008	38430
30U X 800 X 600	1	BIL-N-083006	43445
30U X 800 X 800	1	BIL-N-083008	47620
36U X 600 X 600	1	BIL-N-063606	38430
36U X 600 X 800	1	BIL-N-063608	42600
36U X 800 X 600	1	BIL-N-083606	47640
36U X 800 X 800	1	BIL-N-083608	51725
42U X 600 X 600	1	BIL-N-064206	44290
42U X 600 X 800	1	BIL-N-064208	47455
42U X 800 X 600	1	BIL-N-084206	52125
42U X 800 X 800	1	BIL-N-084208	57630
45U X 600 X 600	1	BIL-N-064506	50960
45U X 600 X 800	1	BIL-N-064508	53485
45U X 800 X 600	1	BIL-N-084506	55965
45U X 800 X 800	1	BIL-N-084508	60980

MOQ-Minimum order quantity in nos.

Notes : 1) Networking racks price do not include freight & this will be extra at actuals.
For more details visit : www.bchindia.com/technorack

*List Prices are Ex-works Faridabad. For detail refer Enclosure Selling Terms & Conditions.

***GST to be charged extra**

19" Server Racks

HSN Code : 8538

Key Attributes:

- Floor mounting robust design.
- Lockable & removable side panels.
- 2-pairs of adjustable 19" rails.
- Front door with toughened glass & perforation.
- High load bearing capacity.
- Rear vented door.
- Provision for fan mounting in top which doesn't take usable "U" Space.
- Superior cable management facility in extra wide racks.
- 4-integrated vertical cable managers are default design of 800mm wide racks.
- Rear space saving split door with 3-point secure locking
- locking in extra wide (800mm) racks.
- Power coated to shade RAL : 7035 structure finish.

Dimensions (H x W x D) mm	MOQ Nos.	Cat. No.	List Price [₹]
24U X 600 X 900	1	BIL-S-062409	35840
24U X 600 X 1000	1	BIL-S-062410	38090
30U X 600 X 900	1	BIL-S-063009	40525
30U X 600 X 1000	1	BIL-S-063010	42105
36U X 600 X 900	1	BIL-S-063609	44435
36U X 600 X 1000	1	BIL-S-063610	46805
42U X 600 X 900	1	BIL-S-064209	49965
42U X 600 X 1000	1	BIL-S-064210	53135
42U X 800 X 1000	1	BIL-S-084210	61145
45U X 600 X 900	1	BIL-S-064509	57735
45U X 600 X 1000	1	BIL-S-064510	61090

MOQ - Minimum order quantity in nos.

Notes: Server racks price do not include freight & this will be extra at actuals.

STANDARD CONFIGURATION: Basic frame, Top & bottom, Front Glass door with perforation, Rear vented door, Lockable & detachable side panels, 2-Pairs of 19" rails with depth members.



Key Attributes:

- Includes 1-Pair of 21" rails.
- Integrated side panels.
- Grouting arrangements along with grouting bolts as std. BOM
- Provision for power & detachable Cable entry/exit in top & bottom.
- Power coated to shade RAL : 7035 structure finish.

ETSI Racks

HSN Code : 8538

Dimensions (H x W x D) mm	MOQ Nos.	Cat. No.	List Price [₹]
2200 X 600 x 300	1	ITE-062203	12880
2200 X 600 x 600	1	ITE-062206	20725

MOQ - Minimum order quantity in nos.

Notes: Above ETSI configuration do not include front & rear door and covers.

All other accessories will be extra & will be furnished on request.
The prices mentioned above do not include freight.



Key Attributes:

- 1-Pair of vertical cable manager is default design.
- Surface pretreated and advance powder coated
- Grouting bolts as std. BOM.
- Power coated to shade RAL : 7035 structure finish.

19" Open Racks

HSN Code : 8538

Dimensions (H x W) mm	MOQ Nos.	Cat. No.	List Price [₹]
36U X 600	1	ITE-OF-0636	8365
45U X 600	1	ITE-OF-0645	9855

MOQ - Minimum order quantity in nos.

Notes: 1) Above Open Rack configuration does not include Shelves, Doors and Covers. All other accessories prices will be extra and will be furnished on request.

2) The Prices above do not include Freight and this will be extra at actuals.

For more details, visit : www.bchindia.com/technorack

*List Prices are Ex-works Faridabad. For detail refer Enclosure Selling Terms & Conditions.

***GST to be charged extra**

Accessories for 19" Racks

Fixed Shelf/Stationary Shelf

- Compatible to keep monitor, servers, non 19" Networking & allied equipments.

Key-Board Tray

- Sliding & rotatory type.

Canteliver Shelf

- It can accommodate light weighted networking & allied equipments like modem, routers etc.

Equipment Support Angle

- "L" type angles. Useful to keep non 19" heavy duty equipment in rack mounting position.

Sliding Shelf

- Useful to keep servers, networking & allied equipment which are required to slide out for operational & other purpose.

Fans/Fan Tray

- 220V 90 CFM Capacity. Can be mounted at the top either directly or through Fan housing unit (Fan Tray)

6-Point 5A Hor. Power Strip

- All universal type socket along with on/off switch with fuse & indicator. Internal strips are made up of Berellium copper that has high rate of heat & mechanical tolerance.
- Other 5A or 5/15A Power strips have Indian style (Anchor) Sockets with on/off switch/MCB.

Castors

- 1-Set includes 4Nos. of castors, 2Nos. with foot operated brake & remaining 2 are free.

Levelling Feet

- 1-Set includes 4Nos. of Levelling Feet.

Stability Plate

- It Prevents the racks from toppling while taking out heavy duty servers.

Shelves

HSN Code : 8538

Description	Cat No.	List Price [₹]
Fixed Shelf (600mmD)	BIL-A-FS-L-06	1440
Fixed Shelf (800mmD)	BIL-A-FS-L-08	2230
Fixed Shelf (900mmD)	BIL-A-FS-L-09	2480
Fixed Shelf (1000mmD)	BIL-A-FS-L-10	2670
Modem Tray	BIL-A-MD	1365
Key board tray (Sliding & Rotatory)	BIL-A-KB-06	4265
Canteliver Shelf (1U)	BIL-A-CS-1	860
Canteliver Shelf (2U)	BIL-A-CS-2	1280
Equipment Support Angle (600mmD)	BIL-A-ESA-06	535
Equipment Support Angle (800mmD)	BIL-A-ESA-08	605
Equipment Support Angle (900mmD)	BIL-A-ESA-09	755
Equipment Support Angle (1000mmD)	BIL-A-ESA-10	875
Sliding Shelf (900mmD)	BIL-A-SS-09	4265
Sliding Shelf (1000mmD)	BIL-A-SS-10	4430

Thermal Management

HSN Code : 8538

Description	Cat No.	List Price [₹]
1-Fan (Direct mounted)	BIL-A-SF	1440
Fan-tray with 2-Fans (FHU)	BIL-A-FHU-2FANS	3085
Fan-tray with 4-Fans (FHU)	BIL-A-FHU-4FANS	5370

Cable Management

HSN Code : 8538

Description	Cat No.	List Price [₹]
Horizontal Cable Manager (1U)	BIL-A-HCM-1U	340
Horizontal Cable Manager (2U)	BIL-A-HCM-2U	420
Vertical Cable Manager (24U)	BIL-A-VCM-24U	535
Vertical Cable Manager (30U)	BIL-A-VCM-30U	685
Vertical Cable Manager (36U)	BIL-A-VCM-36U	780
Vertical Cable Manager (42U)	BIL-A-VCM-42U	860
Vertical Cable Manager (45U)	BIL-A-VCM-45U	940

Power Management

HSN Code : 8538

Description	Cat No.	List Price [₹]
6-Point 5Amp Horizontal Power Strip (19")	BIL-A-HPS-5AMP	1405
5-Point 5/15Amp Horizontal Power Strip (19")	BIL-A-HPS-15AMP	1875
12-Point 5Amp Vertical Power Strip	BIL-A-12VPS-5AMP	2745
10-Point 5/15Amp Vertical Power Strip	BIL-A-10VPS-15AMP	3155
Earth continuity Kit (Earthing Kit)	BIL-A-ECT	1065

Stability Management

HSN Code : 8538

Description	Cat No.	List Price [₹]
Castors (1-Set) Heavy Duty	BIL-A-CAS-HD	5150
Castors (1-Set) Light Duty	BIL-A-CAS	4100
Levelling Feet (1-Set)	BIL-A-LF	700
Stability Plate	BIL-A-SP	2585

Miscellaneous

HSN Code : 8538

Description	Cat No.	List Price [₹]
BAYING KIT	BIL-A-BK	505
BLANKING PANEL (1U)	BIL-A-BP-1U	235
BLANKING PANEL (2U)	BIL-A-BP-2U	310
BLANKING PANEL (3U)	BIL-A-BP-3U	395
BLANKING PANEL (4U)	BIL-A-BP-4U	490
BLANKING PANEL (5U)	BIL-A-BP-5U	545
Captive H/w (set of 10)	BIL-A-Captive-M6	235
Wallmounting H/w (set of 4)	BIL-A-WALLMOUNTHW	245

Notes : Packing & forwarding will be extra if accessories are ordered separately.

*List Prices are Ex-works Faridabad. For detail refer Enclosure Selling Terms & Conditions.

***GST to be charged extra**

www.bchindia.com



Price List

General Terms & Conditions

Prices are subject to change without any prior notice and will be applicable as prevailing at the time of dispatch.

- The prices are ex-works basis..
- The prices given in this list are effective as on date and are subject to change without notice.
- The List Prices (LP) mentioned are exclusive of GST.
- The duties, taxes and other statutory levies are based on rates prevailing at the time of billing. Any subsequent revision of those rates having retrospective effective shall be to customer's account.
- In case where any GST exemption has been claimed, the purchaser is responsible for providing the necessary GST exemption form within the specified period, failing which the purchaser would be liable for the payment of full GST plus applicable interest and penalties
- All Prices are in Indian Rupees (₹).
- Alteration made after receipt of confirmation of order are subject to price & delivery revisions and any other expenses or levies
- The dispute, if any, will be resolved mutually by discussion. However, if no settlement is forthcoming then, the Courts at New Delhi shall only have territorial jurisdiction to hear and decide the dispute.

Warranty

All products, unless specifically mentioned otherwise, shall have warranty, against manufacturing defects for a period of 18* months from the date of invoicing & 24 months from date of manufacturing whichever is later subject to the provision of proper usage and does not cover defects arising out of fire, accident, inefficient maintenance, faulty operation and willful or accidental damage. The manufacturer shall not be liable for any consequential loss, injury or damages attributable to defect or failure of its products.

* Proof of purchase to be retained to avail warranty.

a strong commitment
to serve better
always ...



Switchgear | Controlgear | Enclosures | Motor Starters & Submersible Pump Starters |
Brakes and Crane Controls | MCC | PCC | Customised Solutions | Automation |
Wires & Cables | Motors | Reactive Power Management



BCH

**BCH
ELECTRIC
LIMITED**

www.bchindia.com

Power Control Products

Starters & Submersible Pump Starters

Industrial Enclosures

Industrial Products

Wires & Cables

Motor Control Products

Power Bus Duct

Customised Solution

Automation

a strong commitment to serve better always ...



BCH

BCH ELECTRIC LIMITED



www.bchindia.com



1800-103-9262

customercare@bchindia.com

Visit us at : www.bchindia.com

Registered & Corporate Office : 1105, New Delhi House, 27, Barakhamba Road, New Delhi - 110 001 Tel. : 91-11- 43673100

CIN : U31103DL1965PLC425953, **Customercare No.** 1800-103-9262, **E-mail :** marketing@bchindia.com

Works 1 : 20/4, Mathura Road, Faridabad - 121 006 (Haryana) Tel. : 0129-4063000/4293000 Fax : 0129-2304016

Works 2 : 64-68, Sector-7, IIE, Pant Nagar, Rudrapur, Udham Singh Nagar - 263 153 (Uttarakhand) Tel. : 05944-250214/16 Fax : 05944-250215

Sales Offices :

Ahmedabad

401, Shilp Zeveri,
Beside Shyamal Iconic,
Above Westside,
Shyamal Cross Road,
Ahmedabad - 380015
E-mail: ahmedabad@bchindia.com

Bangalore

2nd Floor, 130/5,
K.H. Road (Double road),
Bangalore - 560 027
Tel. : 080-41144879 / 22236759
E-mail : bangalore@bchindia.com

Bhubaneswar

Mallick Commercial
Complex Plot No. : A/69, unit - 3
Bhubaneswar - 751 001
Tel. : 0674-2380988
E-mail : bhubaneswar@bchindia.com

Chandigarh (Panchkula)

SCO -270, 2nd Floor,
Sector-16, Panchkula
Haryana-134 113
Tel. : 0172-5078957 / 5049905
E-mail : chandigarh@bchindia.com

Chennai

Flat No. 3A, 3rd Floor,
Sree Apartments,
No.508, TTK Road,
Alwarpet, Chennai 600 018
Tel. : 044-24337046, 24337047
E-mail : chennai@bchindia.com

Coimbatore

87, Dr. Nanjappa Road,
Coimbatore - 641 018
Tel. : 0422-2305311 / 2302599
E-mail : coimbatore@bchindia.com

Delhi 1

801, Akash Deep Building,
26A, Barakhamba Road,
New Delhi - 110 001
Tel. : 011-23313878 / 43518200
E-mail : delhi1@bchindia.com

Delhi 2

710, Deepali Building, 92
Nehru Place, New Delhi - 110 019
Tel. : 011-45720334
E-mail : delhi2@bchindia.com

Dehradun

8, Co-operative Industrial Estate,
Patel Nagar, Dehradun-248001
E-mail : dehradun@bchindia.com

Faridabad

20/4, Mathura Road,
Faridabad - 121 006 (Haryana)
Tel. : 0129-4293009
E-mail : faridabad@bchindia.com

Hyderabad

1-8-303/48/13/102, Anya One,
2nd Floor, P. G. Road,
Secunderabad - 500 003
Tel. : 040-66206263/27890306
Fax : 040-66207273
E-mail : hyderabad@bchindia.com

Indore

330-331, Indraprastha Tower,
3rd Floor, 6, M.G. Road,
Indore - 452 001
Tel. : 0731-2510011 / 2510012
E-mail : indore@bchindia.com

Jaipur

25, Hathroi, Gopalbari,
Jaipur - 302 001
Tel. : 0141-2363521
E-mail : jaipur@bchindia.com

Jamshedpur

A.J. Tower, 2B,
2nd Floor, R-Road, Bistupur,
Jamshedpur - 831 001
E-mail : jamshedpur@bchindia.com

Kolkata

Block 1E, 216,
Acharya Jagadish Chandra Bose Road,
Kolkata - 700 017
Tel. : 033-22871728 / 46021884
E-mail : kolkata@bchindia.com

Lucknow

Shop No. 3, First Floor,
Tower T-10, Millennium Place IBB - 2,
Sushant Golf City, Sultanpur Road,
Lucknow U.P. - 226030
Tel. : 0522-4025597/4025997
E-mail : lucknow@bchindia.com

Ludhiana

S.C.O.- 18, 2nd Floor,
Feroze Gandhi Market,
Ludhiana - 140 001
Tel. : 0161-5021807/5022808
E-mail : ludhiana@bchindia.com

Madurai

12, Parvathi Plaza-3rd Floor,
70 Feet Road, Ellis Nagar
Madurai-625016, Tamilnadu

Mumbai

A-151, Mittal Tower,
Nariman Point,
Mumbai - 400 021
Tel. : 022-22822947/22850162
Fax : 022-22822858
E-mail : mumbai@bchindia.com

Pune

8, Sarosh Bhavan,
16-B/1, Dr. Ambedkar Road,
Pune - 411 001
Tel. : 020-41210002
E-mail : pune@bchindia.com

Raipur

6th Floor, Office No. 607,
Babylon Capital, Near Oswal
Petrol Pump, VIP Chowk,
G.E. Road, Raipur - 492 006
Tel. : 0771- 4045053
E-mail : raipur@bchindia.com

Vadodara

301, Third Floor, "Florence Classic",
10, Ashapuri Co-Op. Hsg. Soc. Ltd., Opp. VUDA Housing,
Near Cow Circle, Akota, Vadodara - 390 020
Tel. : 0265-2345068/2345069
Telefax : 0265-2345068,
E-mail : vadodara@bchindia.com

Other Branch Locations

Cochin : cochin@bchindia.com, **Guwahati :** guwahati@bchindia.com, **Vishakapatnam :** vizag@bchindia.com, **Surat :** surat@bchindia.com, **Trichy :** Trichy@bchindia.com

Resident Engineer Locations

Anantapur	Jodhpur	Madurai	Rajkot	Siliguri
Aurangabad	Jalandhar	Muzaffarnagar	Rajahmundry	Tirunelveli
Bhopal	Kanpur	Nagpur	Ranchi	Udaipur
Calicut	Katni	Nashik	Rourkela	Vapi
Gurgaon	Kharagpur	Nanded	Rudrapur	Vijayawada
Hosapate	Kota	Patna	Salem	Warangal
Hubli	Kolhapur	Puducherry	Satna	Yamuna Nagar

Since product improvement is a continuous process, the data furnished in this brochure may undergo revision without prior notice.